

Challenger[®]

Parts Manual

CH CORN HEAD



ALPHABETICAL INDEX

The complete alphabetical index appears at the beginning of this publication. It is used to locate major groups, assemblies and components.

NUMERICAL INDEX

The numerical index of this publication follows the Alphabetical Index at the beginning of the publication and indicates at which grid location and page number a part number appears.

ILLUSTRATIONS

All illustrations are located on the left hand page with the text on the right. Except for some common hardware, all parts are identified with an item number which corresponds to the "item" column on the text page. This is followed by the parts number, quantity and description.

HARDWARE

Common hardware not identified such as bolts, nuts, cotter pins and lube fittings, are listed indented in the text beneath the item to which they attach or fit. Common hardware listed indented beneath an item is NOT included unless specified. Example: (Incl. BOLT, LOCKWASHER AND NUT).

ORDERING PARTS

Be sure to refer to both the text and the illustration to assure ordering the correct part.

RECOMMENDED DEALER STOCK

A recommended dealer stock listing appears at the end of this publication.



CH CORN HEAD

CONVEYORS

CONVEYOR 1230 59
 SPIRAL CONVEYOR ASSEMBLY ALL UNITS EXCEPT 1230 57

DRIVES

DRIVESHAFT-PTO LH COMPONENTS W/O SLIPCLUTCH 53
 DRIVESHAFT-PTO MAIN (RH) COMPONENTS 55
 GEARBOX COMPONENTS 51
 MAIN DRIVE RIGHT HAND 830, 836, 838, 1220, 1222 & 1230 41
 MAIN DRIVES LEFT HAND PTO 630, 636, 830, 836, 838, 1220, 1222, 1230 37
 PERFORMANCE PACKAGES SPROCKET KITS MAIN AND CONVEYOR DRIVES 49
 UNIT DRIVE LEFT HAND ALL MODELS 45
 UNIT DRIVE RIGHT HAND 8 THRU 12 ROW UNITS 47

ELECTRICAL

ELECTRICAL ADAPTER HARNESS'S 2003 & UP HEADERS TO PRE 2003 COMBINES, PRE 2003
 HEADERS TO 2003 & UP COMBINES 91
 LIGHTS CLEARANCE 89
 MAIN HARNESS CLEARANCE LIGHTS ADJUSTABLE STRIPPER 87

FRAMES

CONVEYOR HOOD 11
 MAIN FRAME 9

GATHERING

ADJUSTABLE STRIPPER 1220 & 1222 EFF. S/N HN27101 35
 ADJUSTABLE STRIPPER 630 & 636 29
 ADJUSTABLE STRIPPER 830 & 1230 33
 ADJUSTABLE STRIPPER 836 & 838 31
 EXTENSION GATHER SHEET/FENDER (30" & 36"/38") 79
 FENDER ASSEMBLY OUTER GATHER UNITS 30" & 36"/38" 63
 FENDER ASSEMBLY OUTER GATHER UNITS 20"/22" 65
 GATHERING CHAIN & RELATED COMPONENTS 20"/22" SPACING 30", 36", 38" W/OUT PERFOR-
 MANCE MOD. 23
 GATHERING CHAIN & RELATED COMPONENTS 30", 36", 38" WITH PERFORMANCE MOD. EXCEPT
 20"/22" SPACING 25
 GATHERING UNITS INNER 30" & 36"/38" 67
 GATHERING UNITS INNER 20"/22" 69
 SNOUT ASSEMBLY INNER GATHERING UNITS 30", 36" & 38" 71
 SNOUT ASSEMBLY INNER GATHERING UNITS 20"/22" 73
 SNOUT ASSEMBLY OUTER GATHERING UNITS FENDER ASY. (30", 36" & 38") 75
 SNOUT ASSEMBLY OUTER GATHERING UNITS FENDER ASY. (20"/22") 77
 STRIPPER PLATE/REAR CHAIN GUIDE 27

LATERAL TILT

SMARTTRAC LATERAL TILT CONTROL SENSOR & WIRING 93

RECOMMENDED DEALER STOCK

RECOMMENDED DEALER STOCK 95

ROW UNIT

UNIT FRAME AND GEARBOX W/SNAPPING ROLLS 19

SHEET METAL

SPIRAL CONVEYOR HOUSING 13

SHIELDS

DRIVE SHIELDS 81
 SHIELDS R.H. 12 ROW 83
 SHIELDS R.H. 6 ROW 85

CH CORN HEAD

Part No.	Page	Grid	Part No.	Page	Grid	Part No.	Page	Grid	Part No.	Page	Grid
K3999	39	1-C 12	3315213M1	23	1-B 20	700721573	67	1-D 16	70914465	51	1-C 24
K3999	41	1-C 14	3315213M1	27	1-B 24	700722000	9	1-B 6	70914584	37	1-C 10
K3999	97	1-E 22	3315213M1	95	1-E 20	700722000	15	1-B 12	70915019	25	1-B 22
K4037	39	1-C 12	3318029M1	23	1-B 20	700722000	17	1-B 14	70915538	57	1-D 6
K4037	41	1-C 14	3318486M1	23	1-B 20	700722214	77	1-E 2	70916619	51	1-C 24
K4037	95	1-E 20	339376X1	23	1-B 20	700722216	65	1-D 14	70916622	79	1-E 4
W980288US	23	1-B 20	339376X1	27	1-B 24	700722218	65	1-D 14	70916790	39	1-C 12
W980299US	23	1-B 20	339704X1	19	1-B 16	700722221	69	1-D 18	70916950	9	1-B 6
W980308US	23	1-B 20	353609X1	37	1-C 10	700722224	73	1-D 22	70916965	9	1-B 6
Y702951	21	1-B 18	353609X1	41	1-C 14	700722568	19	1-B 16	70917009	39	1-C 12
Y704635	19	1-B 16	353609X1	45	1-C 18	700722816	69	1-D 18	70917356	13	1-B 10
Y704635	89	1-E 14	353609X1	47	1-C 20	700722817	65	1-D 14	70917365	93	1-E 18
Y704635	97	1-E 22	353723X1	19	1-B 16	700722818	65	1-D 14	70917372	19	1-B 16
Y704734	63	1-D 12	353723X1	95	1-E 20	704031	9	1-B 6	70917373	37	1-C 10
Y704734	97	1-E 22	354262X1	27	1-B 24	704031	23	1-B 20	70917377	79	1-E 4
Y704742	35	1-C 8	355919X1	51	1-C 24	704031	25	1-B 22	70917378	27	1-B 24
Y704742	63	1-D 12	355919X1	99	1-E 24	704031	29	1-C 2	70917642	11	1-B 8
Y704742	97	1-E 22	355919X1	99	1-E 24	704031	31	1-C 4	70917970	81	1-E 6
Y705020	19	1-B 16	355988X1	37	1-C 10	704031	33	1-C 6	70918151	93	1-E 18
Y705046	9	1-B 6	355992X1	51	1-C 24	704031	39	1-C 12	70918185	19	1-B 16
Y705046	19	1-B 16	364941X1	87	1-E 12	704031	43	1-C 16	70918265	13	1-B 10
Y705046	21	1-B 18	365775X1	41	1-C 14	704031	45	1-C 18	70918266	63	1-D 12
Y705046	23	1-B 20	365775X1	81	1-E 6	704031	47	1-C 20	70918268	25	1-B 22
Y705046	25	1-B 22	369253X1	21	1-B 18	704031	57	1-D 6	70918269	21	1-B 18
Y705046	29	1-C 2	375112X1	25	1-B 22	704031	59	1-D 8	70918431	21	1-B 18
Y705046	31	1-C 4	390734X1	23	1-B 20	704031	71	1-D 20	70918452	29	1-C 2
Y705046	33	1-C 6	390734X1	27	1-B 24	704031	73	1-D 22	70918454	63	1-D 12
Y705046	39	1-C 12	49378X	41	1-C 14	704031	75	1-D 24	70919089	65	1-D 14
Y705046	43	1-C 16	49378X	95	1-E 20	704031	77	1-E 2	70919310	79	1-E 4
Y705046	45	1-C 18	50021	37	1-C 10	704056	29	1-C 2	70919311	19	1-B 16
Y705046	47	1-C 20	50021	41	1-C 14	704056	31	1-C 4	70919312	41	1-C 14
Y705046	65	1-D 14	50021	95	1-E 20	704056	33	1-C 6	70919332	21	1-B 18
Y705046	67	1-D 16	700525380	25	1-B 22	70527219	41	1-C 14	70919388	27	1-B 24
Y705046	69	1-D 18	700704010	37	1-C 10	70542402	57	1-D 6	70920138	39	1-C 12
060585P1	51	1-C 24	700704010	45	1-C 18	70542402	59	1-D 8	70920415	45	1-C 18
060586P1	51	1-C 24	700704010	47	1-C 20	70542402	97	1-E 22	70920426	13	1-B 10
060587P1	51	1-C 24	700704010	81	1-E 6	70586838	81	1-E 6	70920702	13	1-B 10
060588P1	51	1-C 24	700706922	87	1-E 12	70586838	83	1-E 8	70921050	39	1-C 12
060589P1	51	1-C 24	700706922	91	1-E 16	70586838	85	1-E 10	70921176	9	1-B 6
060591N1	19	1-B 16	700707550	53	1-D 2	70587183	25	1-B 22	70921210	57	1-D 6
062420S1	19	1-B 16	700708343	19	1-B 16	70587183	97	1-E 22	70921211	19	1-B 16
062421S1	19	1-B 16	700709141	63	1-D 12	70588775	57	1-D 6	70921332	19	1-B 16
062628P1	23	1-B 20	700709141	99	1-E 24	70588775	59	1-D 8	70921333	11	1-B 8
062658S1	19	1-B 16	700709602	29	1-C 2	70588775	95	1-E 20	70921345	37	1-C 10
063070N1	23	1-B 20	700709602	31	1-C 4	70588776	57	1-D 6	70921965	9	1-B 6
063462P1	51	1-C 24	700709602	33	1-C 6	70588776	59	1-D 8	70921975	39	1-C 12
063481P1	27	1-B 24	700710849	35	1-C 8	70588776	95	1-E 20	70922127	25	1-B 22
063824P1	27	1-B 24	700710984	29	1-C 2	70590594	57	1-D 6	70922130	29	1-C 2
065464S1	23	1-B 20	700710984	31	1-C 4	70590594	59	1-D 8	70922465	39	1-C 12
068386N1	19	1-B 16	700710984	33	1-C 6	70590594	95	1-E 20	70922524	29	1-C 2
070117S1	27	1-B 24	700710984	63	1-D 12	70590712	57	1-D 6	70922645	29	1-C 2
070118S1	27	1-B 24	700711134	35	1-C 8	70590712	61	1-D 10	70922710	87	1-E 12
070825S1	27	1-B 24	700711238	35	1-C 8	70590712	95	1-E 20	70922713	21	1-B 18
070826S1	27	1-B 24	700711927	37	1-C 10	70591348	25	1-B 22	70922755	39	1-C 12
071660N1	23	1-B 20	700717402	9	1-B 6	70591348	97	1-E 22	70922770	35	1-C 8
072147P1	27	1-B 24	700717403	9	1-B 6	70591362	9	1-B 6	70922787	69	1-D 18
1018729M1	89	1-E 14	700717404	9	1-B 6	70591362	15	1-B 12	70923027	73	1-D 22
1018729M1	95	1-E 20	700717523	67	1-D 16	70591362	17	1-B 14	70923114	9	1-B 6
10189	61	1-D 10	700721301	63	1-D 12	70593180	57	1-D 6	70923212	93	1-E 18
1077994M1	53	1-D 2	700721302	63	1-D 12	70593180	59	1-D 8	70923220	37	1-C 10
1077994M1	55	1-D 4	700721303	75	1-D 24	70593180	95	1-E 20	70923240	9	1-B 6
1120697	53	1-D 2	700721304	75	1-D 24	70593181	57	1-D 6	70923300	65	1-D 14
1120697	55	1-D 4	700721305	71	1-D 20	70593181	59	1-D 8	70923325	29	1-C 2
1136432	23	1-B 20	700721306	71	1-D 20	70593181	95	1-E 20	70923362	11	1-B 8
1140823	37	1-C 10	700721389	71	1-D 20	70595153	21	1-B 18	70923490	51	1-C 24
1140823	95	1-E 20	700721390	71	1-D 20	70596071	9	1-B 6	70923518	89	1-E 14
1440249X1	23	1-B 20	700721391	63	1-D 12	70599697	27	1-B 24	70923858	27	1-B 24
1440249X1	27	1-B 24	700721392	63	1-D 12	70599697	99	1-E 24	70924058	65	1-D 14
1442739X1	23	1-B 20	700721393	67	1-D 16	7071947	19	1-B 16	70924113	39	1-C 12
1443769X1	23	1-B 20	700721394	67	1-D 16	70902870	39	1-C 12	70924131	9	1-B 6
262136M1	23	1-B 20	700721395	75	1-D 24	70905126	23	1-B 20	70924856	17	1-B 14
262136M1	95	1-E 20	700721395	99	1-E 24	70911020	97	1-E 22	70925094	93	1-E 18
29780X	51	1-C 24	700721396	75	1-D 24	70911273	51	1-C 24	70925205	63	1-D 12
29780X	97	1-E 22	700721396	99	1-E 24	70911712	57	1-D 6	70925442	87	1-E 12
3008469	51	1-C 24	700721572	67	1-D 16	70913744	45	1-C 18	70925617	93	1-E 18

INDEX

Part No.	Page	Grid	Part No.	Page	Grid	Part No.	Page	Grid	Part No.	Page	Grid
70925696	71	1-D 20	71335690	65	1-D 14	71356310	47	1-C 20	71359641	37	1-C 10
70925960	65	1-D 14	71335690	69	1-D 18	71356754	27	1-B 24	71359643	37	1-C 10
70926113	65	1-D 14	71335690	73	1-D 22	71356754	99	1-E 24	71359644	37	1-C 10
70926151	23	1-B 20	71335690	75	1-D 24	71356769	27	1-B 24	71359654	37	1-C 10
70926364	39	1-C 12	71335690	77	1-E 2	71356769	99	1-E 24	71359660	37	1-C 10
70926695	9	1-B 6	71335690	99	1-E 24	71357371	21	1-B 18	71359660	49	1-C 22
70926917	87	1-E 12	71344020	51	1-C 24	71357371	95	1-E 20	71360229	59	1-D 8
70926946	29	1-C 2	71344020	95	1-E 20	71358003	57	1-D 6	71360233	59	1-D 8
70927034	25	1-B 22	71344581	51	1-C 24	71358003	59	1-D 8	71360245	51	1-C 24
70927035	25	1-B 22	71344589	51	1-C 24	71358003	99	1-E 24	71360253	57	1-D 6
70927075	67	1-D 16	71344589	95	1-E 20	71358014	37	1-C 10	71360253	61	1-D 10
70927403	19	1-B 16	71344592	51	1-C 24	71358014	99	1-E 24	71360256	59	1-D 8
70927493	39	1-C 12	71344592	99	1-E 24	71358065	81	1-E 6	71360282	59	1-D 8
70927738	51	1-C 24	71344765	89	1-E 14	71358078	99	1-E 24	71360283	59	1-D 8
70928178	29	1-C 2	71345550	19	1-B 16	71358096	37	1-C 10	71360582	17	1-B 14
70928720	51	1-C 24	71345550	97	1-E 22	71358096	41	1-C 14	71360611	51	1-C 24
70928957	19	1-B 16	71345822	79	1-E 4	71358096	49	1-C 22	71360628	83	1-E 8
70929094	23	1-B 20	71347318	81	1-E 6	71358096	99	1-E 24	71360630	59	1-D 8
70929412	89	1-E 14	71347319	81	1-E 6	71358097	37	1-C 10	71360641	57	1-D 6
70929593	29	1-C 2	71349109	57	1-D 6	71358097	41	1-C 14	71360641	59	1-D 8
70929742	51	1-C 24	71349109	59	1-D 8	71358097	49	1-C 22	71360642	57	1-D 6
70930598	35	1-C 8	71349113	57	1-D 6	71358097	99	1-E 24	71360647	85	1-E 10
70930601	9	1-B 6	71349113	59	1-D 8	71358098	45	1-C 18	71363094	39	1-C 12
70931187	57	1-D 6	71349114	57	1-D 6	71358098	47	1-C 20	71364182	99	1-E 24
70931209	87	1-E 12	71349114	59	1-D 8	71358098	99	1-E 24	71364963	71	1-D 20
70931211	39	1-C 12	71349130	9	1-B 6	71358188	53	1-D 2	71364963	73	1-D 22
70931277	13	1-B 10	71349525	25	1-B 22	71358188	55	1-D 4	71364963	75	1-D 24
70931317	79	1-E 4	71349526	23	1-B 20	71358188	99	1-E 24	71364963	77	1-E 2
70931333	13	1-B 10	71349526	25	1-B 22	71358331	41	1-C 14	71364963	97	1-E 22
70931348	63	1-D 12	71349527	23	1-B 20	71358333B	41	1-C 14	71369333	83	1-E 8
70931350	27	1-B 24	71349527	25	1-B 22	71358337	41	1-C 14	71369336	81	1-E 6
70931363	59	1-D 8	71349533	9	1-B 6	71358338	37	1-C 10	71369339	27	1-B 24
70931449	27	1-B 24	71349858	37	1-C 10	71358349	45	1-C 18	71369340	27	1-B 24
70931556	45	1-C 18	71349858	99	1-E 24	71358349	47	1-C 20	71369543	19	1-B 16
70931809	57	1-D 6	71349891	9	1-B 6	71358351	45	1-C 18	71369544	21	1-B 18
70931812	39	1-C 12	71349897B	17	1-B 14	71358351	47	1-C 20	71369907	89	1-E 14
70932928	51	1-C 24	71350365	9	1-B 6	71358352	45	1-C 18	71369909	89	1-E 14
70933260	9	1-B 6	71350365	13	1-B 10	71358352	47	1-C 20	71369911	89	1-E 14
70934667	21	1-B 18	71350365	17	1-B 14	71358355	45	1-C 18	71369914	89	1-E 14
70934980	59	1-D 8	71350426	63	1-D 12	71358355	47	1-C 20	71369914	97	1-E 22
70935299	73	1-D 22	71350426	67	1-D 16	71358777	51	1-C 24	71371988	11	1-B 8
70936348	63	1-D 12	71350426	95	1-E 20	71358777	95	1-E 20	71372310	89	1-E 14
70936460	13	1-B 10	71350535	19	1-B 16	71358788	51	1-C 24	71372424	37	1-C 10
70936494	85	1-E 10	71350535	97	1-E 22	71358788	95	1-E 20	71372424	41	1-C 14
70937160	51	1-C 24	71350536	19	1-B 16	71358791	51	1-C 24	71372424	49	1-C 22
70937280	87	1-E 12	71350536	97	1-E 22	71358792	51	1-C 24	71372424	99	1-E 24
70937284	71	1-D 20	71350770	9	1-B 6	71358795	51	1-C 24	71373741	21	1-B 18
70937465	29	1-C 2	71350770	15	1-B 12	71358795	99	1-E 24	71373742	21	1-B 18
70937482	81	1-E 6	71350770	17	1-B 14	71359001	51	1-C 24	71373742	27	1-B 24
70937497	51	1-C 24	71351073	19	1-B 16	71359001	99	1-E 24	71373745	19	1-B 16
70937501	51	1-C 24	71351077	19	1-B 16	71359103	37	1-C 10	71373745	97	1-E 22
70937503	51	1-C 24	71351081	19	1-B 16	71359103	41	1-C 14	71373746	21	1-B 18
70937506	27	1-B 24	71351081	95	1-E 20	71359104	45	1-C 18	71373746	97	1-E 22
71127991	81	1-E 6	71351088	23	1-B 20	71359104	47	1-C 20	71374218	53	1-D 2
71127991	83	1-E 8	71351088	25	1-B 22	71359105	37	1-C 10	71374218	55	1-D 4
71127991	85	1-E 10	71351895	37	1-C 10	71359120	25	1-B 22	71374219	53	1-D 2
71127991	95	1-E 20	71351895	41	1-C 14	71359125	25	1-B 22	71374219	55	1-D 4
71137120	39	1-C 12	71351903	37	1-C 10	71359125	95	1-E 20	71374220	53	1-D 2
71137120	99	1-E 24	71353505	57	1-D 6	71359161	55	1-D 4	71374220	55	1-D 4
71179395	37	1-C 10	71353505	61	1-D 10	71359162	55	1-D 4	71374710	93	1-E 18
71179395	41	1-C 14	71353828	51	1-C 24	71359163	55	1-D 4	71375689	93	1-E 18
71189834	51	1-C 24	71353830	51	1-C 24	71359163	99	1-E 24	71375738	93	1-E 18
71189834	95	1-E 20	71353830	99	1-E 24	71359164	55	1-D 4	71376259	93	1-E 18
71192243	39	1-C 12	71353838	51	1-C 24	71359164	99	1-E 24	71376825	93	1-E 18
71192243	41	1-C 14	71353839	51	1-C 24	71359165	55	1-D 4	71376825	99	1-E 24
71192243	59	1-D 8	71354266	39	1-C 12	71359168	53	1-D 2	71377860	53	1-D 2
71192243	95	1-E 20	71354266	41	1-C 14	71359168	55	1-D 4	71377989	9	1-B 6
71192887	81	1-E 6	71354920	81	1-E 6	71359168	99	1-E 24	71377989	17	1-B 14
71192887	83	1-E 8	71354925	37	1-C 10	71359170	39	1-C 12	71379539	9	1-B 6
71192887	85	1-E 10	71356293	37	1-C 10	71359170	43	1-C 16	71379541	9	1-B 6
71193862	89	1-E 14	71356295	37	1-C 10	71359170	53	1-D 2	71379972	31	1-C 4
71193862	97	1-E 22	71356299B	37	1-C 10	71359170	55	1-D 4	71379972	33	1-C 6
71197194	59	1-D 8	71356302	41	1-C 14	71359538	51	1-C 24	71379972	35	1-C 8
71197194	95	1-E 20	71356303	37	1-C 10	71359538	99	1-E 24	71379972	97	1-E 22
71335690	63	1-D 12	71356310	45	1-C 18	71359636	37	1-C 10	71379974	33	1-C 6

CH CORN HEAD

5
INDEX

Part No.	Page	Grid	Part No.	Page	Grid	Part No.	Page	Grid	Part No.	Page	Grid
71379975	29	1-C 2	71383716	53	1-D 2	71389945	67	1-D 16	71391292	99	1-E 24
71380195	41	1-C 14	71383717	53	1-D 2	71389945	99	1-E 24	71391708	91	1-E 16
71380196	41	1-C 14	71383718	53	1-D 2	71389947	67	1-D 16	71391725	91	1-E 16
71381204	15	1-B 12	71383719	9	1-B 6	71389948	71	1-D 20	71391977	63	1-D 12
71381205	17	1-B 14	71383720	53	1-D 2	71389948	73	1-D 22	71391977	67	1-D 16
71381206	15	1-B 12	71383722	53	1-D 2	71389948	75	1-D 24	71391977	71	1-D 20
71381207	17	1-B 14	71383722	55	1-D 4	71389948	77	1-E 2	71391977	75	1-D 24
71381213	39	1-C 12	71383723	9	1-B 6	71389948	95	1-E 20	71391983	87	1-E 12
71381213	43	1-C 16	71383882	17	1-B 14	71390026	75	1-D 24	71391984	87	1-E 12
71381223	9	1-B 6	71384373	29	1-C 2	71390027	75	1-D 24	71394598	45	1-C 18
71381229	13	1-B 10	71384373	31	1-C 4	71390028	75	1-D 24	71395436C	57	1-D 6
71381230	15	1-B 12	71384373	33	1-C 6	71390028	99	1-E 24	71395437C	57	1-D 6
71381538	13	1-B 10	71384374	29	1-C 2	71390030	71	1-D 20	71395438C	57	1-D 6
71381539	13	1-B 10	71384374	31	1-C 4	71390032	71	1-D 20	71395439C	57	1-D 6
71381552B	15	1-B 12	71384374	33	1-C 6	71390032	99	1-E 24	71395440C	59	1-D 8
71381553B	17	1-B 14	71384375	29	1-C 2	71390033	71	1-D 20	71395441C	59	1-D 8
71381554B	15	1-B 12	71384375	31	1-C 4	71390033	99	1-E 24	71396631	29	1-C 2
71381555B	17	1-B 14	71384375	33	1-C 6	71390035	75	1-D 24	71396631	31	1-C 4
71381564	13	1-B 10	71384375	95	1-E 20	71390035	99	1-E 24	71396631	33	1-C 6
71381565	13	1-B 10	71384499	31	1-C 4	71390036	71	1-D 20	71396633	63	1-D 12
71381566	17	1-B 14	71384499	33	1-C 6	71390058	63	1-D 12	71396826	63	1-D 12
71381580B	15	1-B 12	71384527	29	1-C 2	71390069	29	1-C 2	71396827	63	1-D 12
71381581B	15	1-B 12	71384527	31	1-C 4	71390069	31	1-C 4	71396829	67	1-D 16
71381582B	17	1-B 14	71384527	33	1-C 6	71390069	33	1-C 6	71396833	67	1-D 16
71381583B	17	1-B 14	71384527	95	1-E 20	71390601	31	1-C 4	71396837	67	1-D 16
71381585	13	1-B 10	71384529	29	1-C 2	71390601	33	1-C 6	71396838	63	1-D 12
71381586	13	1-B 10	71384529	31	1-C 4	71390602	29	1-C 2	71396839	67	1-D 16
71381592	9	1-B 6	71384529	33	1-C 6	71390605	29	1-C 2	71396840	67	1-D 16
71382222	15	1-B 12	71385165	91	1-E 16	71390605	31	1-C 4	71396842	67	1-D 16
71382223	15	1-B 12	71386947	29	1-C 2	71390605	33	1-C 6	71396846	67	1-D 16
71382224	17	1-B 14	71386947	31	1-C 4	71390605	99	1-E 24	71396848	67	1-D 16
71382225	17	1-B 14	71386947	33	1-C 6	71390610	29	1-C 2	71396850	29	1-C 2
71382298	9	1-B 6	71386949	29	1-C 2	71390610	31	1-C 4	71396850	31	1-C 4
71382304	13	1-B 10	71386949	31	1-C 4	71390610	33	1-C 6	71396850	33	1-C 6
71382305B	13	1-B 10	71386949	33	1-C 6	71390623	29	1-C 2	71396850	67	1-D 16
71382320B	15	1-B 12	71388028	21	1-B 18	71390623	31	1-C 4	71396866	31	1-C 4
71382321B	17	1-B 14	71388029	21	1-B 18	71390623	33	1-C 6	71396866	33	1-C 6
71382322B	15	1-B 12	71388031	21	1-B 18	71390625	29	1-C 2	71396867	67	1-D 16
71382323	17	1-B 14	71388032	21	1-B 18	71390625	31	1-C 4	71396874	29	1-C 2
71382325B	13	1-B 10	713889335	93	1-E 18	71390625	33	1-C 6	71396874	33	1-C 6
71382326B	13	1-B 10	71389339	67	1-D 16	71390625	35	1-C 8	71396887	31	1-C 4
71382426B	17	1-B 14	71389340	41	1-C 14	71390630	67	1-D 16	71396887	33	1-C 6
71382438	11	1-B 8	71389340	55	1-D 4	71390641	63	1-D 12	71396888	31	1-C 4
71382439B	11	1-B 8	71389341	39	1-C 12	71390643	69	1-D 18	71396913	15	1-B 12
71382440	11	1-B 8	71389341	53	1-D 2	71390644	69	1-D 18	71396914	13	1-B 10
71382482	41	1-C 14	71389346	79	1-E 4	71390645	69	1-D 18	71396915	15	1-B 12
71382485	53	1-D 2	71389347	79	1-E 4	71390646	65	1-D 14	71396916	13	1-B 10
71382485	55	1-D 4	71389348	79	1-E 4	71390646	69	1-D 18	71396917	15	1-B 12
71382607	93	1-E 18	71389349	79	1-E 4	71390951	65	1-D 14	71396918	13	1-B 10
71382607	99	1-E 24	71389350	75	1-D 24	71390952	65	1-D 14	71396919	15	1-B 12
71383147B	15	1-B 12	71389485	9	1-B 6	71390960	77	1-E 2	71396920	13	1-B 10
71383148B	15	1-B 12	71389486	63	1-D 12	71390962	65	1-D 14	71396925	15	1-B 12
71383149B	17	1-B 14	71389486	67	1-D 16	71390962	97	1-E 22	71396942	29	1-C 2
71383150B	17	1-B 14	71389486	97	1-E 22	71390963	65	1-D 14	71396942	33	1-C 6
71383506	41	1-C 14	71389557	63	1-D 12	71390964	65	1-D 14	71396948	13	1-B 10
71383507	37	1-C 10	71389558	63	1-D 12	71390965	65	1-D 14	71396949	31	1-C 4
71383508	37	1-C 10	71389561	67	1-D 16	71390966	65	1-D 14	71396950	29	1-C 2
71383509	41	1-C 14	71389587	63	1-D 12	71390967	69	1-D 18	71396950	31	1-C 4
71383516	45	1-C 18	71389593	67	1-D 16	71390969	69	1-D 18	71396959B	91	1-E 16
71383516	47	1-C 20	71389928	63	1-D 12	71390972	69	1-D 18	71396964	91	1-E 16
71383529	13	1-B 10	71389929	63	1-D 12	71390973	65	1-D 14	71397293	91	1-E 16
71383530	13	1-B 10	71389929	97	1-E 22	71390973	69	1-D 18	71398297	37	1-C 10
71383534	41	1-C 14	71389930	79	1-E 4	71390973	97	1-E 22	71398297	41	1-C 14
71383535	37	1-C 10	71389931	79	1-E 4	71390974	73	1-D 22	71398316	9	1-B 6
71383600B	15	1-B 12	71389934	63	1-D 12	71391276	73	1-D 22	71398317	9	1-B 6
71383601B	15	1-B 12	71389935	63	1-D 12	71391276	77	1-E 2	71398318	9	1-B 6
71383602B	17	1-B 14	71389936	63	1-D 12	71391276	99	1-E 24	71398319B	9	1-B 6
71383603B	17	1-B 14	71389937	63	1-D 12	71391277	73	1-D 22	71398320B	9	1-B 6
71383607	13	1-B 10	71389938	63	1-D 12	71391277	77	1-E 2	71398324B	9	1-B 6
71383608	13	1-B 10	71389938	67	1-D 16	71391277	99	1-E 24	71398325B	9	1-B 6
71383610	41	1-C 14	71389939	63	1-D 12	71391278	65	1-D 14	71398560	13	1-B 10
71383611	37	1-C 10	71389939	67	1-D 16	71391279	65	1-D 14	71398561	15	1-B 12
71383701	9	1-B 6	71389941	67	1-D 16	71391289	79	1-E 4	71398562	13	1-B 10
71383714	53	1-D 2	71389944	67	1-D 16	71391290	79	1-E 4	71398563	15	1-B 12
71383715	53	1-D 2	71389944	97	1-E 22	71391292	25	1-B 22	71398590C	57	1-D 6

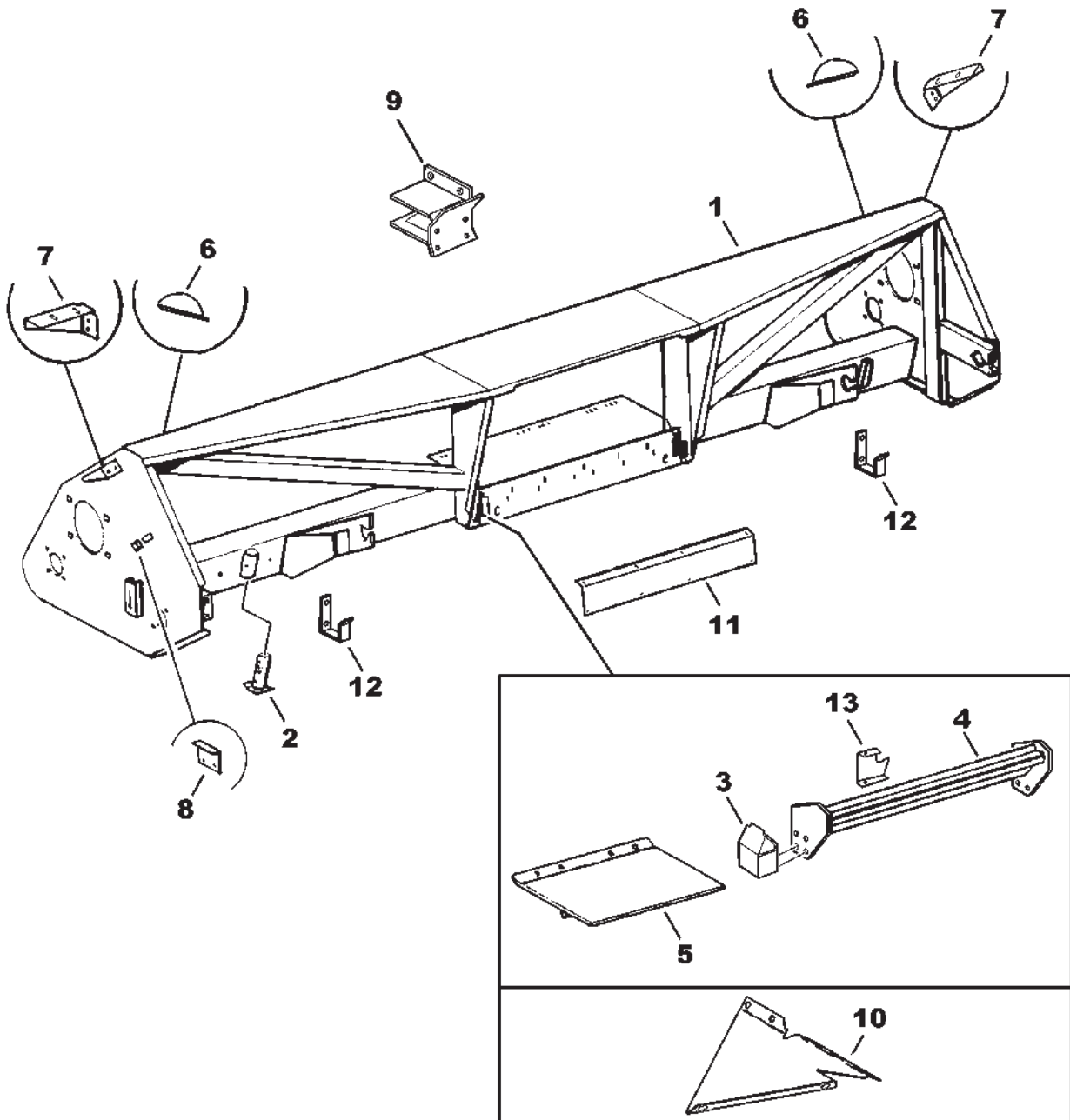
CH CORN HEAD

7
INDEX

Part No.	Page	Grid	Part No.	Page	Grid	Part No.	Page	Grid	Part No.	Page	Grid
----------	------	------	----------	------	------	----------	------	------	----------	------	------

CH CORN HEAD FRAMES

MAIN FRAME



**CH CORN HEAD
FRAMES**

9

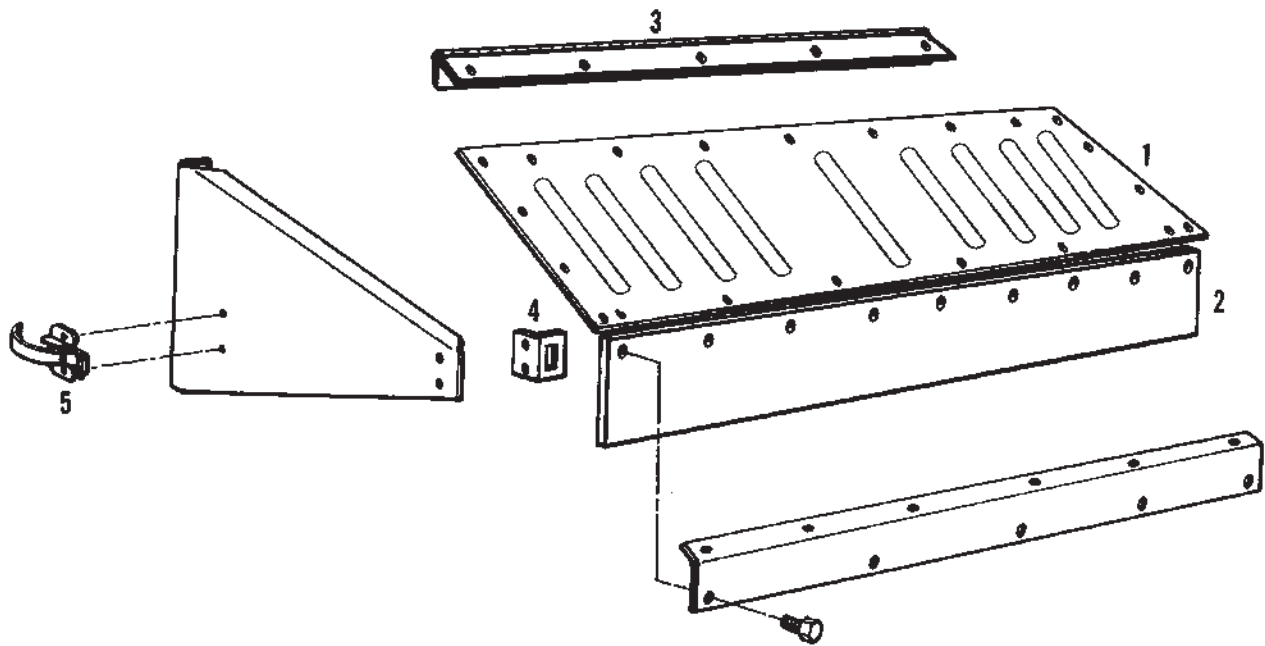
MAIN FRAME

ITEM	NUMBER	QTY	DESCRIPTION	
1	71398320B	1	FRAME WELDMENT, MAIN-630	
	71398319B	1	FRAME WELDMENT, MAIN-636	
	71398318	1	FRAME WELDMENT, MAIN-830	
	71398317	1	FRAME WELDMENT, MAIN-836,838	
	71398324B	1	FRAME WELDMENT, MAIN-1220	
	71398325B	1	FRAME WELDMENT, MAIN-1222	
	71398316	1	FRAME WELDMENT, MAIN-1230	
	71350770	1	DECAL, DANGER (RAM STOP)	
	71350365	2	DECAL, DANGER (SNAPPING ROLLS)	
	700722000	1	DECAL (LUBRICATION)	
	700717403	2	STRIP, REFLECTOR (YELLOW)	
	700717402	AR	STRIP, REFLECTOR (RED)	
	700717404	AR	STRIP, REFLECTOR (ORANGE)	
	70596071	1	DECAL, STORAGE	
	70591362	1	DECAL, SPEED (8-12 ROW ONLY)	
	2	71349533	2	STAND ASY., FRAME
		70924131	2	PIN, STAND 1/2 X 3
3	98-2107	2	PIN, QUICK, 5/8-3/4 (PKG. QTY)	
	71379541	2	GUIDE WLMT, HANGER (W/O LTM)	
	71379539	2	GUIDE WLMT, HANGER (W/LTM)	
	71382298	2	GUIDE, HANGER (HCC LTM)(USED W/71397081)	
	71381592	4	SPACER, GUIDE	
	70923240	AR	CAPSCREW, 1/2 X 2-3/4	
	70923114	4	CAPSCREW, 1/2-13 X 1 (LTM)	
4	Y705046	4	WASHER, LOCK, 1/2	
	71381223	1	HANGER WLMT	
5	-----	1	PACKAGE, RISER (NOT USED)	
6	71389485	AR	SHIELD, SPROCKET	
	70921965	AR	CAPSCREW, 3/8-16 X 3/4	
	70916965	AR	WASHER, LOCK, 3/8	
	70916950	AR	NUT, 3/8-16	
	70933260	AR	CAPSCREW, SER./FLG., 3/8-16 X 3/4	
7	71349891	2	ANCHOR, OUTER GATHER-REAR	
	70921965	4	CAPSCREW, 3/8NC X 3/4	
	70916965	4	WASHER, LOCK, 3/8	
8	71349130	1	STRIKE, LATCH	
	70926695	4	RIVET, 5/32 X 3/8	
9	-----	1	SUPPORT WLMT, GUIDE (NOT USED)	
10	71377989	1	DEFLECTOR, L.H. SHIELD	
11	71383723	1	SHIELD, TRASH (W/O LTM)	
	70930601	12	SCREW, TAP, 5/16 X 5/8	
12	71383701	2	BRACKET, STORAGE, PTO SHAFT	
	70930601	4	SCREW, TAP, 5/16 X 5/8	
13	71383719	1	STIFFENER, (W/O LTM)	
	70921176	AR	CAPSCREW, 1/2-13 X 1-1/4	
	Y705046	AR	WASHER, LOCK, 1/2	
	704031	AR	NUT, 1/2NC	

GCH0011

CH CORN HEAD
FRAMES

CONVEYOR HOOD



**CH CORN HEAD
FRAMES**

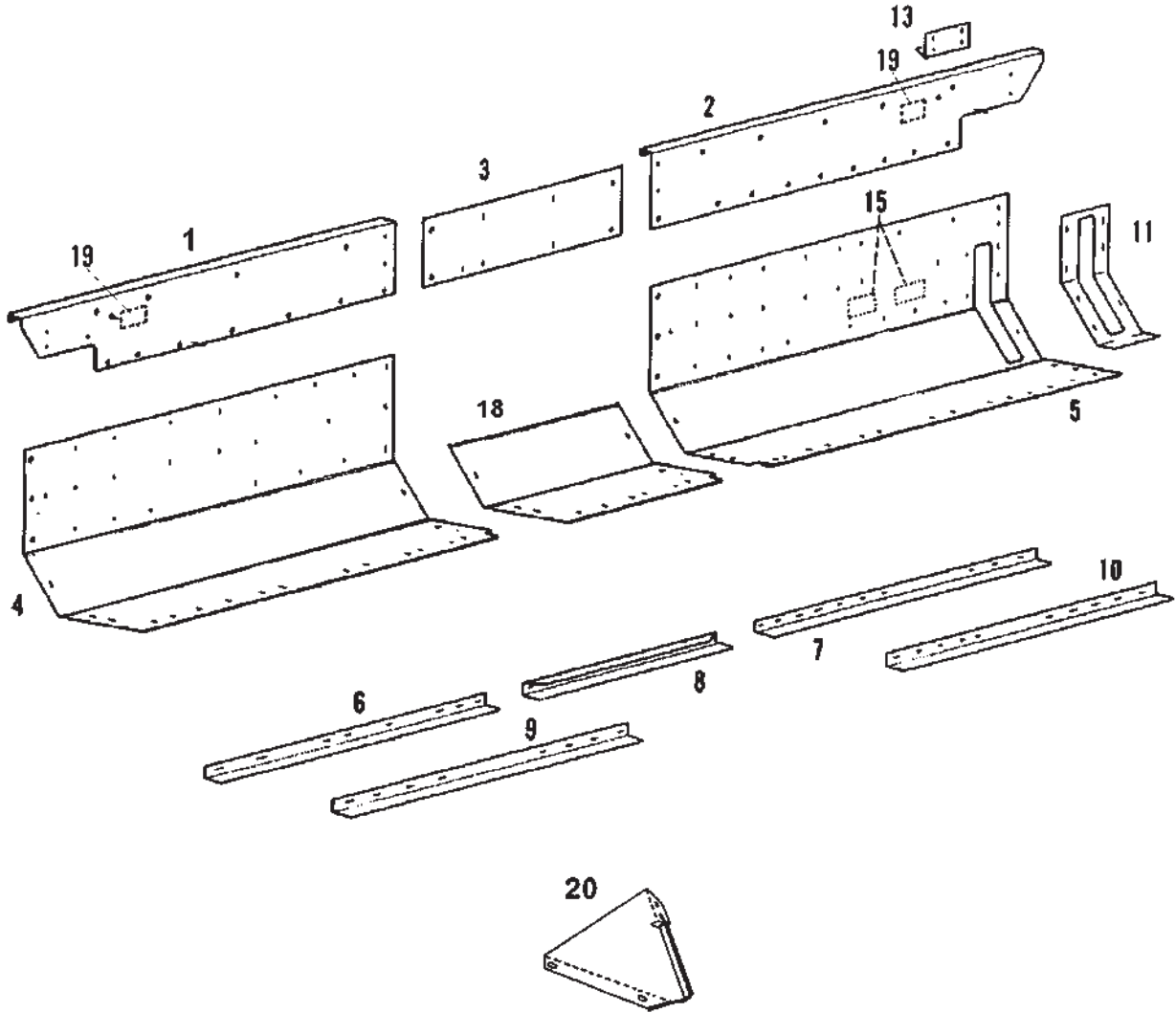
11

CONVEYOR HOOD

ITEM	NUMBER	QTY	DESCRIPTION
1	71382440	1	HOOD ASY. (INCL HINGE AND CLAMPS)
	70930601	15	SCREW, TAP, 5/16 X 5/8
2	71382438	1	DEFLECTOR, HOOD
	70921333	9	BOLT, CARRIAGE, 5/16 X 1.0
	70923362	9	NUT, LOCK, 5/16
	70917642	9	WASHER, FLAT, 5/16
3	71382439B	1	HINGE, CONV. HOOD
4	71371988	2	LATCH, STRIKE
5	762975	2	CLAMP
-	71530215	1	KIT, CONVEYOR HOOD ATTACHMENT (ORDER THRU DEALER CENTRAL)

71382435

SPIRAL CONVEYOR HOUSING



**CH CORN HEAD
SHEET METAL**

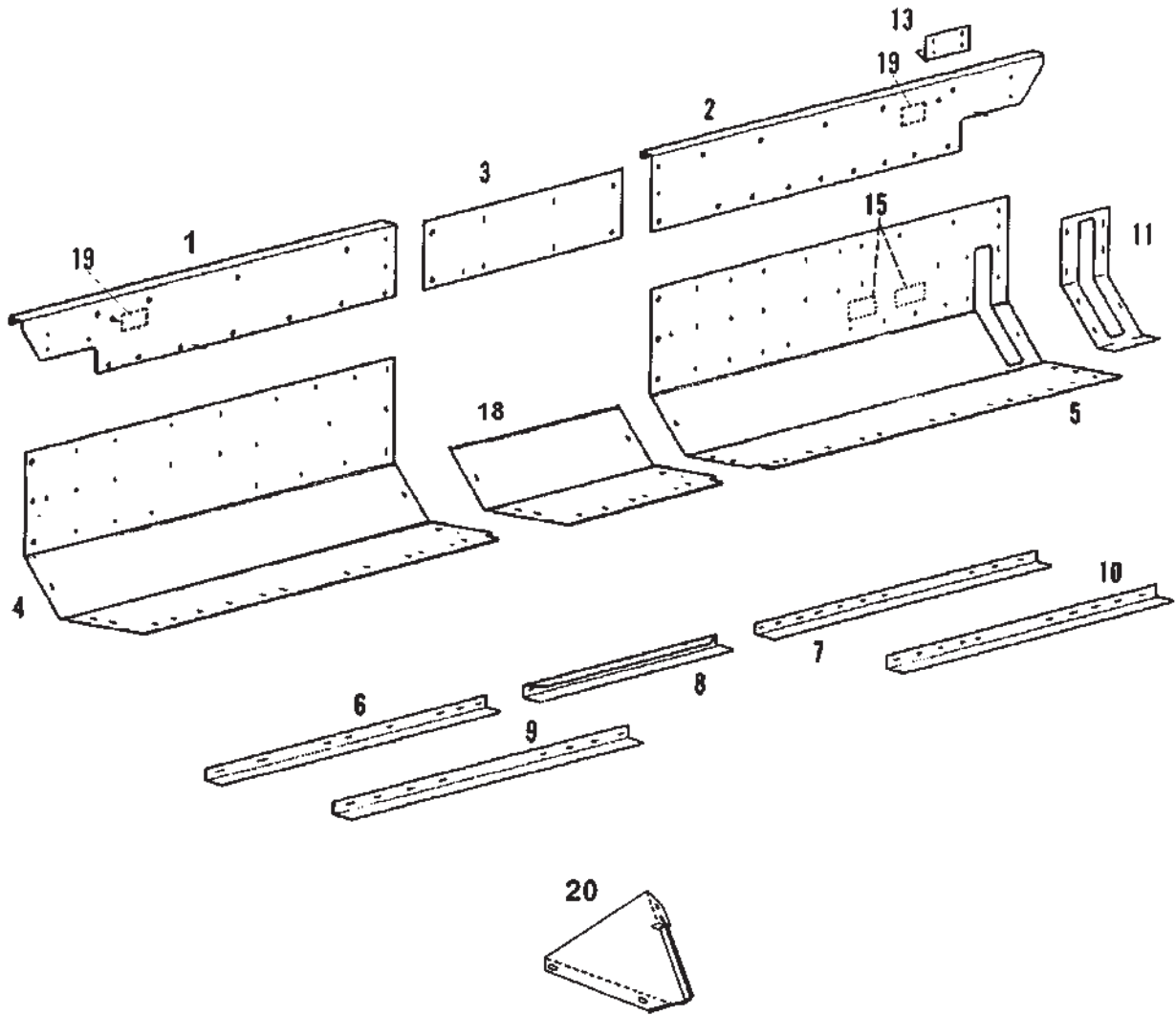
SPIRAL CONVEYOR HOUSING

ITEM	NUMBER	QTY	DESCRIPTION
1	71381564	1	EXTENSION, CONV. BOTTOM, RH (W/DECAL) (630)
	71381585	1	EXTENSION, CONV. BOTTOM, RH (W/DECAL) (636)
	71381538	1	EXTENSION, CONV. BOTTOM, RH (W/DECAL) (830)
	71382325B	1	EXTENSION, CONV. BOTTOM, RH (W/DECAL) (836 & 838)
	71383529	1	EXTENSION, CONV. BOTTOM, RH (W/DECAL) (1220)
	71383608	1	EXTENSION, CONV. BOTTOM, RH (W/DECAL) (1222)
	71382304	1	EXTENSION, CONV. BOTTOM, RH OUTER (W/DECAL) (1230)
	70931333	AR	BOLT, CGE., 5/16 X 3/4
	70918265	AR	WASHER, 5/16
	70931277	AR	NUT, SM. SERR. FLG., 5/16
2	71350365	1	DECAL, SNAPPING ROLL
	71381565	1	EXTENSION, CONV. BOTTOM, LH (W/DECAL) (630)
	71381586	1	EXTENSION, CONV. BOTTOM, LH (W/DECAL) (636)
	71381539	1	EXTENSION, CONV. BOTTOM, LH (W/DECAL) (830)
	71382326B	1	EXTENSION, CONV. BOTTOM, LH (W/DECAL) (836 & 838)
	71383530	1	EXTENSION, CONV. BOTTOM, LH (W/DECAL) (1220)
	71383607	1	EXTENSION, CONV. BOTTOM, LH (W/DECAL) (1222)
	71382305B	1	EXTENSION, CONV. BOTTOM, LH OUTER (W/DECAL) (1230)
	70931333	AR	BOLT, CGE., 5/16 X 3/4
	70918265	AR	WASHER, 5/16
70931277	AR	NUT, SM. SERR. FLG., 5/16	
3	71350365	1	DECAL, SNAPPING ROLL
	71381229	1	SHIELD, CONV. CENTER
	70931333	4	BOLT, CGE., 5/16NC X 3/4
4	70931277	4	NUT, SM. SERR. FLG., 5/16NC
	71396914	1	BOTTOM, CONV., R.H. (630)
	71396916	1	BOTTOM, CONV., R.H. (636)
	71396918	1	BOTTOM, CONV., R.H. (830)
	71396920	1	BOTTOM, CONV., R.H. (836 & 838)
	71398560	1	BOTTOM, CONV., R.H. (1220)
	71398562	1	BOTTOM, CONV., R.H. (1222)
	71396948	1	BOTTOM, CONV., R.H. (1230)
	70921333	AR	CAPSCREW, 5/16NC X 1
	70917356	AR	WASHER, LOCK, 5/16
70917642	11	WASHER, 5/16	
70936460	AR	CAPSCREW, TORX-SCKT. TRUSS HD., 5/16NC X 3/4	
70920426	3	WASHER, LOCK, EXT. TOOTH, 5/16	
70920702	AR	NUT, SQ. RETAIN, 5/16	

CONTINUED

GCH0022

SPIRAL CONVEYOR HOUSING



CH CORN HEAD
SHEET METAL

15

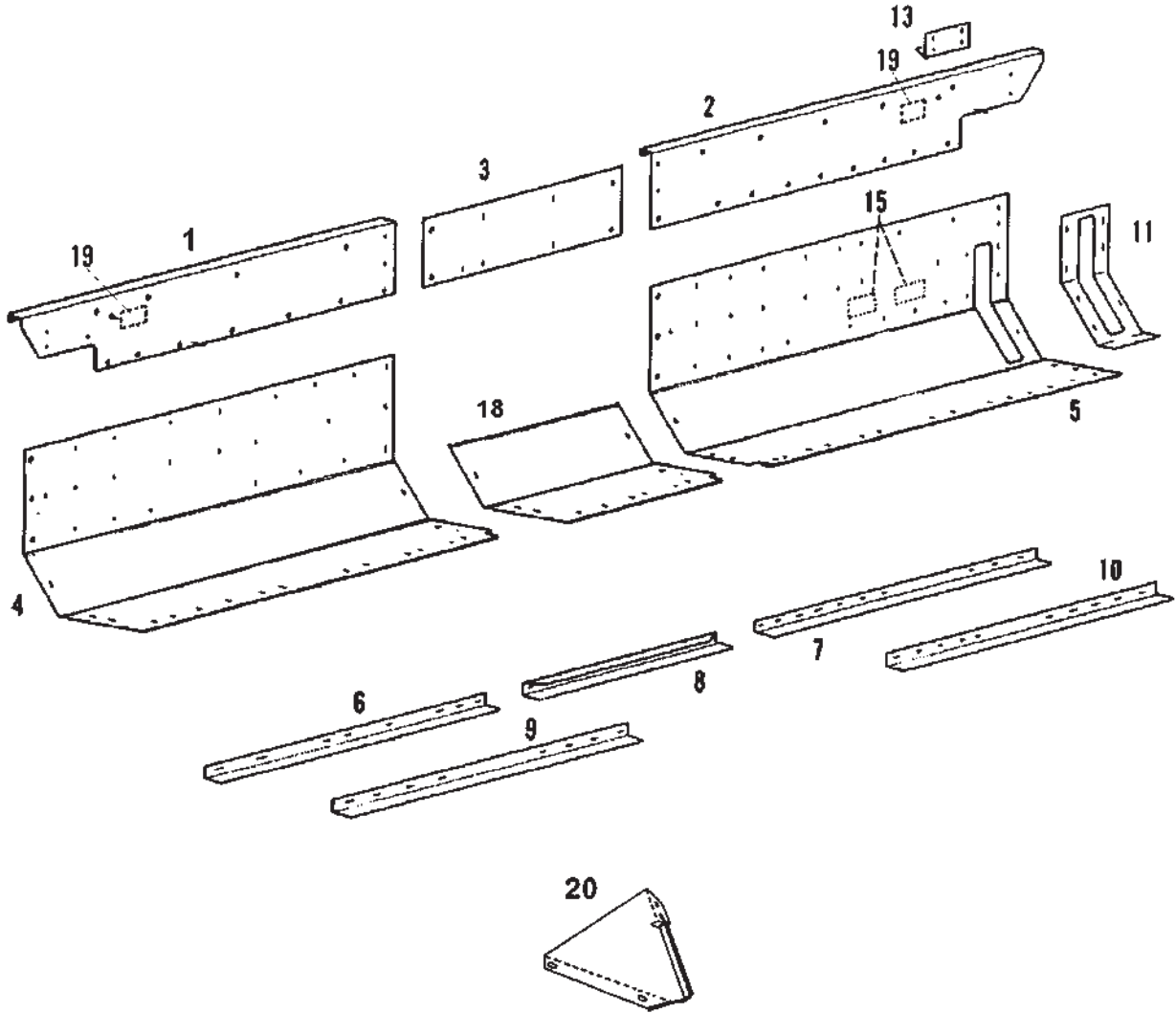
SPIRAL CONVEYOR HOUSING

ITEM	NUMBER	QTY	DESCRIPTION	
5	71396913	1	BOTTOM, CONV., L.H. (INCL DECALS) (630)	
	71396915	1	BOTTOM, CONV., L.H. (INCL DECALS) (636)	
	71396917	1	BOTTOM, CONV., L.H. (INCL DECALS) (830)	
	71396919	1	BOTTOM, CONV., L.H. (INCL DECALS) (836)	
	71396919	1	BOTTOM, CONV., L.H. (INCL DECALS) (838)	
	71398561	1	BOTTOM, CONV., L.H. (INCL DECALS) (1220)	
	71398563	1	BOTTOM, CONV., L.H. (INCL DECALS) (1222)	
	71396925	1	BOTTOM, CONV., L.H. (INCL DECALS) (1230)	
	70921333	AR	CAPSCREW, 5/16NC X 1	
	70917356	AR	WASHER, LOCK, 5/16	
	70917642	AR	WASHER, 5/16	
	70936460	AR	CAPSCREW, TORX-SCKT. TRUSS HD., 5/16NC X 3/4	
	70920426	AR	WASHER, LOCK, EXT. TOOTH, 5/16	
	70920702	AR	NUT, SQ. RETAIN, 5/16	
	71350770	1	DECAL, RAM STOP	
	700722000	1	DECAL, LUBRICATION	
	70591362	1	DECAL, WARNING	
	6	71381552B	1	STRIPPER, CONV., R.H. UPPER (630)
		71381580B	1	STRIPPER, CONVEYOR, R.H. UPPER (636)
		71381204	1	STRIPPER, CONVEYOR, R.H. UPPER (830)
71382320B		1	STRIPPER, CONVEYOR, R.H. UPPER (836)	
71382320B		1	STRIPPER, CONVEYOR, R.H. UPPER (838)	
71383148B		1	STRIPPER, CONVEYOR, R.H. UPPER (1220)	
71383600B		1	STRIPPER, CONVEYOR, R.H. UPPER (1222)	
71382222		1	STRIPPER, CONV., R.H. UPPER OUTER (1230)	
70921333		AR	CAPSCREW, 5/16NC X 1	
70917356		AR	WASHER, LOCK, 5/16	
70917642		AR	WASHER, 5/16	
70931333		AR	BOLT, CGE., 5/16NC X 3/4	
70931277		AR	NUT, SM. SERR. FLG., 5/16NC	
7	71381554B	1	STRIPPER, CONV., L.H. UPPER (630)	
	71381581B	1	STRIPPER, CONVEYOR, L.H. UPPER (636)	
	71381206	1	STRIPPER, CONVEYOR, L.H. UPPER (830)	
	71382322B	1	STRIPPER, CONVEYOR, L.H. UPPER (836)	
	71382322B	1	STRIPPER, CONVEYOR, L.H. UPPER (838)	
	71383147B	1	STRIPPER, CONVEYOR, L.H. UPPER (1220)	
	71383601B	1	STRIPPER, CONVEYOR, L.H. UPPER (1222)	
	71382223	1	STRIPPER, CONV., L.H. UPPER OUTER (1230)	
	70921333	AR	CAPSCREW, 5/16NC X 1	
	70917356	AR	WASHER, LOCK, 5/16	
	70931333	AR	BOLT, CGE., 5/16NC X 3/4	
70931277	AR	NUT, SM. SERR. FLG., 5/16NC		
8	71381230	1	STRIPPER, CONVEYOR, CTR.	
	70921333	AR	CAPSCREW, 5/16NC X 1	
	70917356	AR	WASHER, LOCK, 5/16	
	70917642	AR	WASHER, 5/16	
	70931333	AR	BOLT, CGE., 5/16NC X 3/4	
	70931277	AR	NUT, SM. SERR. FLG., 5/16NC	

CONTINUED

GCH0022

SPIRAL CONVEYOR HOUSING



CH CORN HEAD
SHEET METAL

17

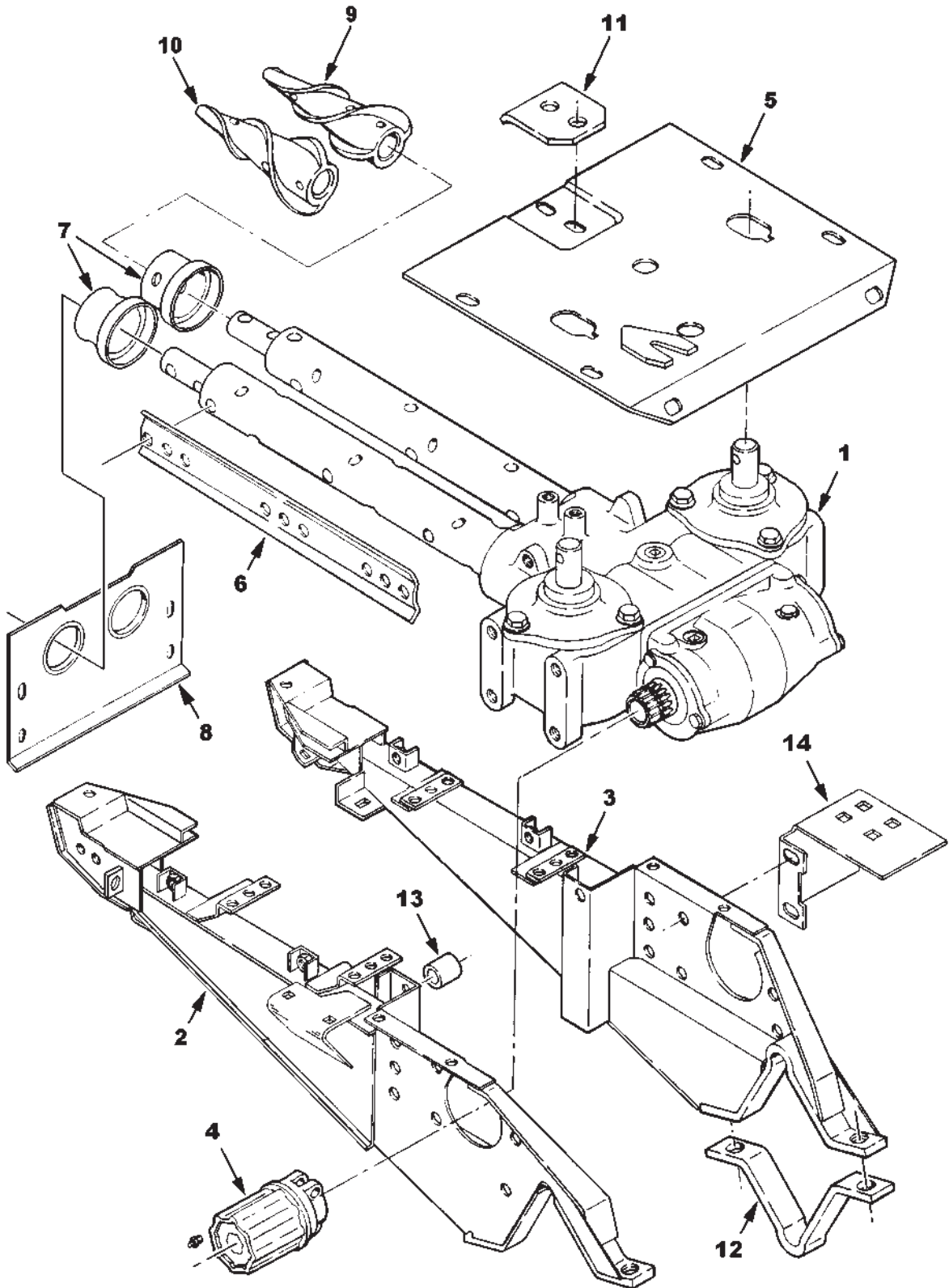
SPIRAL CONVEYOR HOUSING

ITEM	NUMBER	QTY	DESCRIPTION
9	71381553B	1	STRIPPER, CONV., R.H. LOWER (630)
	71381582B	1	STRIPPER, CONVEYOR, R.H. LOWER (636)
	71381205	1	STRIPPER, CONVEYOR, R.H. LOWER (830)
	71382321B	1	STRIPPER, CONVEYOR, R.H. LOWER (836)
	71382321B	1	STRIPPER, CONVEYOR, R.H. LOWER (838)
	71383150B	1	STRIPPER, CONVEYOR, R.H. LOWER (1220)
	71383602B	1	STRIPPER, CONVEYOR, R.H. LOWER (1222)
	71382225	1	STRIPPER, CONV., R.H. LOWER INNER (1230)
	70931333	AR	BOLT, CGE., 5/16NC X 3/4
	70917356	AR	WASHER, LOCK, 5/16
	70917642	AR	WASHER, 5/16
	70931277	AR	NUT, SM. SERR. FLG., 5/16NC
	10	71381555B	1
71381583B		1	STRIPPER, CONVEYOR, L.H. LOWER (636)
71381207		1	STRIPPER, CONVEYOR, L.H. LOWER (830)
71382323		1	STRIPPER, CONVEYOR, L.H. LOWER (836)
71382323		1	STRIPPER, CONVEYOR, L.H. LOWER (838)
71383149B		1	STRIPPER, CONVEYOR, L.H. LOWER (1220)
71383603B		1	STRIPPER, CONVEYOR, L.H. LOWER (1222)
71382224		1	STRIPPER, CONV., L.H. LOWER INNER (1230)
70931333		AR	BOLT, CGE., 5/16NC X 3/4
70931277		AR	NUT, SM. SERR. FLG., 5/16NC
11	71349897B	1	REINFORCEMENT, CONVEYOR BOTTOM (630-1230)
	71360582	1	REINFORCEMENT, CONVEYOR BOTTOM (RH-1230)
	70931333	2	BOLT, CGE., 5/16NC X 3/4
	70931277	2	NUT, SM. SERR. FLG., 5/16NC
13	71382426B	2	BRACE, EXTENSION, OUTER
	70930601	4	SCREW, TAP, 5/16NC X 5/8
	70931333	4	BOLT, CGE., 5/16 X 3/4
	70931277	4	NUT, SERR FLG., 5/16
15	70591362	1	DECAL, TRANSPORT SPEED
	71350770	1	DECAL, DANGER (RAM STOP)
	700722000	1	DECAL (LUBRICATION)
19	71350365	2	DECAL, DANGER (SNAPPING ROLLS)
20	71381566	1	DEFLECTOR, HOPPER R.H.
	71377989	1	DEFLECTOR, HOPPER L.H.
	70924856	AR	SCREW, 5/16-18 X 1/2
21	71383882	1	FILLER, ANGLE (NOT ILLUSTRATED)
	70930601	2	SCREW, TAP 5/16 X 5/8

GCH0022

CH CORN HEAD
ROW UNIT

UNIT FRAME AND GEARBOX
W/SNAPPING ROLLS



**CH CORN HEAD
ROW UNIT**

19

**UNIT FRAME AND GEARBOX
W/SNAPPING ROLLS**

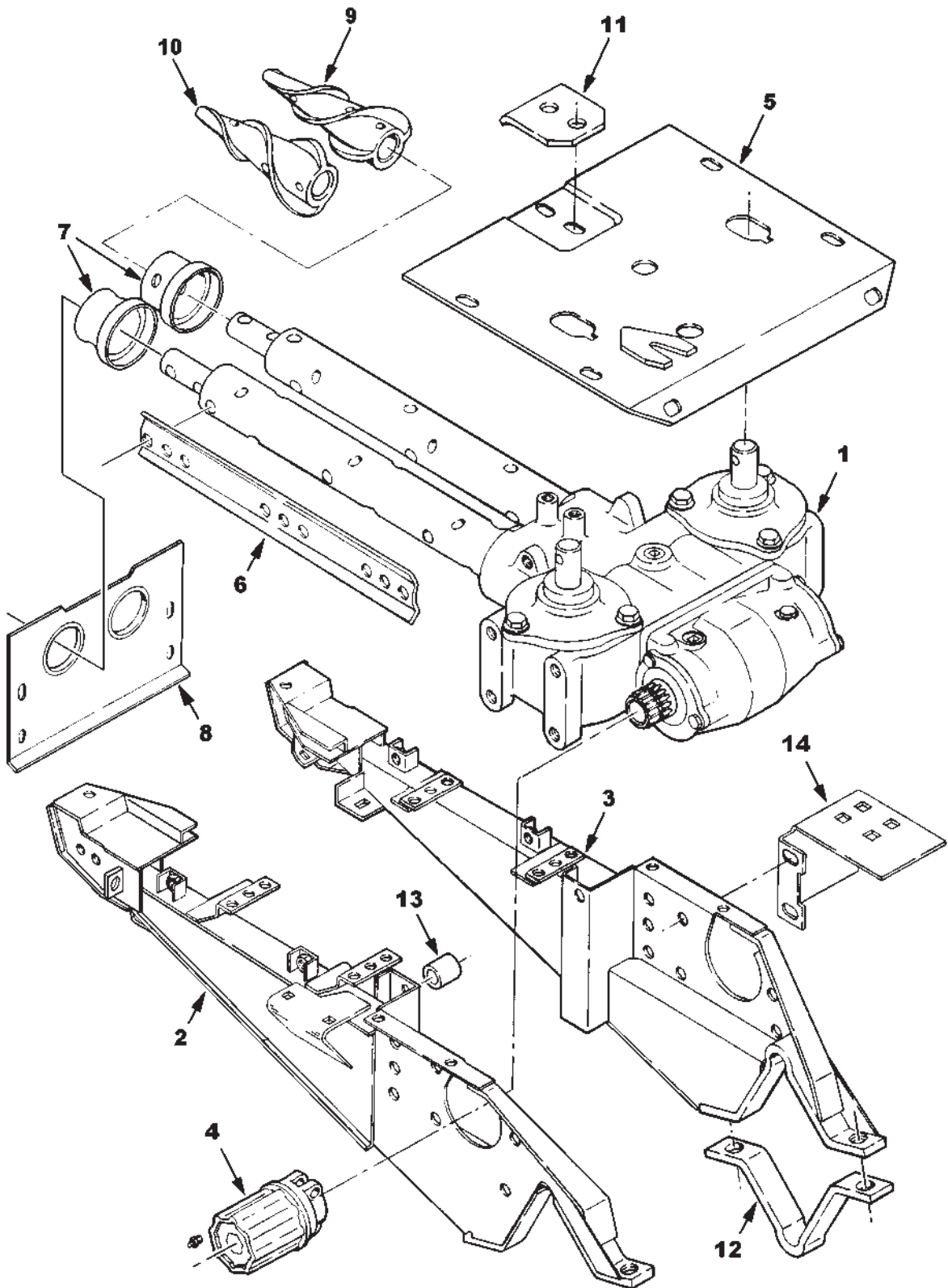
ITEM	NUMBER	QTY	DESCRIPTION
1	060591N1	1	*GEARBOX ASY., L.H. (SHOWN) (FOR SERVICE COMPONENTS, SEE GEARBOX ASY.)
	068386N1	1	*GEARBOX ASY., R.H. (NOT SHOWN) (FOR SERVICE COMPONENTS,SEE GEARBOX ASY.) *INCLS. ITEMS 6-10
2	062420S1	1	FRAME ASY., L.H. OUTER
	062421S1	AR	FRAME ASY., L.H. INNER (5 REQ'D.-6 ROW; 7 REQ'D.-8 ROW; 11 REQ'D.-12 ROW)
	353723X1	AR	CAPSCREW, 1/2NC X 1
	70921211	AR	CAPSCREW, 1/2NC X 2-1/2
	Y705046	AR	WASHER, LOCK, 1/2
	339704X1	AR	WASHER, 14M X 24M X 2.5M
3	062421S1	1	FRAME ASY., R.H. OUTER
	062420S1	AR	FRAME ASY., R.H. INNER (5 REQ'D.-6 ROW; 7 REQ'D.-8 ROW)
	353723X1	AR	CAPSCREW, 1/2NC X 1
	70921211	AR	CAPSCREW, 1/2NC X 2-1/2
	Y705046	AR	WASHER, LOCK, 1/2
	339704X1	AR	WASHER, 14M X 24M X 2.5M
4	71345550	AR	LIMITER, TORQUE
	700722568	1	LIMITER, TORQUE (20" & 22" SPACING)
	70918185	1	ZERK, GREASE
	71350535	AR	KIT, CAM SPRING
	71350536	1	KIT, SEAL
	7071947	AR	CAPSCREW, M12-1.75 X 60
	700708343	AR	LOCKWASHER, M12
	7704950	AR	NUT, HEX JAM, M12-1.75
5	062658S1	1	COVER ASY.
	70936460	2	SCREW, TORX HD MACH, 5/16NC X 3/4
	70917642	2	WASHER, 5/16 STD
	Y705020	2	WASHER, LOCK, 5/16
	70931333	4	BOLT, RD HD CARR. 5/16 X 3/4 GR5
	70919311	4	WASHER, LOCK, 5/16
	70917372	4	HEXNUT, 5/16-18
6	71351081	6	BLADE, SNAP. ROLL
	70928957	18	CAPSCREW, 3/8NC X 2-3/4, GR8
	70916965	6	WASHER, LOCK, 3/8
	Y704635	18	NUT, LOCK, 3/8NC
7	71351073	2	SHIELD ASY., GEARBOX
8	71351077	1	SHIELD ASY., SNAP. ROLL
	70921332	4	CAPSCREW, 5/16NC X 3/4
	70917356	4	WASHER, LOCK, 5/16
	70917642	AR	WASHER, 5/16
9	71373745	1	POINT, SNAP. ROLL-RH (STD)
	71369543	1	POINT, SNAP. ROLL-RH (USED WITH GRASS KNIFE PKG)
	70927403	2	PIN, GROOVE 5/16 X 2

CONTINUED

GCH0024

CH CORN HEAD
ROW UNIT

UNIT FRAME AND GEARBOX
W/SNAPPING ROLLS



**CH CORN HEAD
ROW UNIT**

21

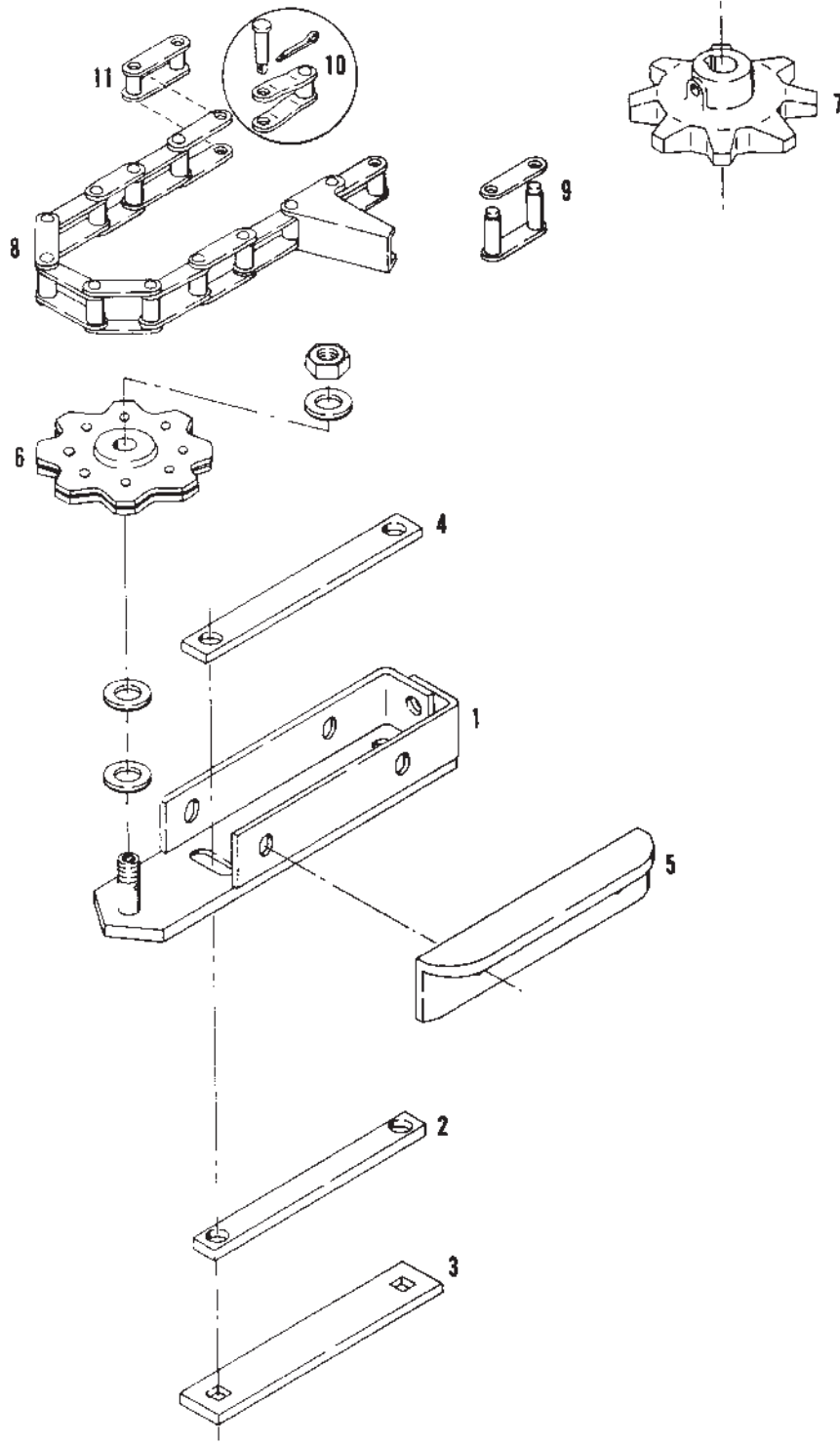
**UNIT FRAME AND GEARBOX
W/SNAPPING ROLLS**

ITEM	NUMBER	QTY	DESCRIPTION
10	71373746	1	POINT, SNAP. ROLL-LH (STD)
	71369544	1	POINT, SNAP. ROLL-LH (USED WITH GRASS KNIFE PKG)
	70927403	2	PIN, GROOVE-5/16 X 2
11	71357371	1	DEFLECTOR, SNAP. ROLL
	70934667	2	CAPSCREW, TORX-5/16NC X 3/4
	70922713	2	WASHER, LOCK, 5/16
12	70595153	AR	CLAMP, UNIT
	369253X1	AR	CAPSCREW, 3/4NC X 2-1/2
	70919332	AR	WASHER, LOCK, 3/4
	70918269	AR	WASHER, 3/4 PLAIN
13	71505681	2	SPACER, GEARBOX
	70921211	2	CAPSCREW, 1/2-13 X 2-1/2
	Y705046	AR	LOCKWASHER, 1/2
14	71388029	AR	BRKT, LATCH SUPT. RH (W/ADJ STRIPPER)
	71388032	AR	BRKT, LATCH SUPT. LH (W/ADJ STRIPPER)
	71388028	AR	BRKT, LATCH SUPT. LH (W/O ADJ STRIPPER)
	71388031	AR	BRKT, LATCH SUPT. RH (W/O ADJ STRIPPER)
	70921176	AR	CAPSCREW, 1/2-13 X 1-1/4
	Y705046	AR	LOCKWASHER, 1/2
	70918431	AR	WASHER, 1/2
	Y702951	AR	SCREW, HX WSHR HD TAP, 3/8-16 X 3/4
-	71373741	AR	*RING PKG., (ANTI-WRAP/SNAPPING ROLL)
-	71373742	AR	*KNIFE PKG, GRASS (INCL. KNIVES AND ROLL POINTS) *(ORDER THRU DEALER CENTRAL)

GCH0024

CH CORN HEAD
GATHERING

GATHERING CHAIN & RELATED COMPONENTS
20"/22" SPACING
30", 36", 38" W/OUT PERFORMANCE MOD.



**CH CORN HEAD
GATHERING**

23

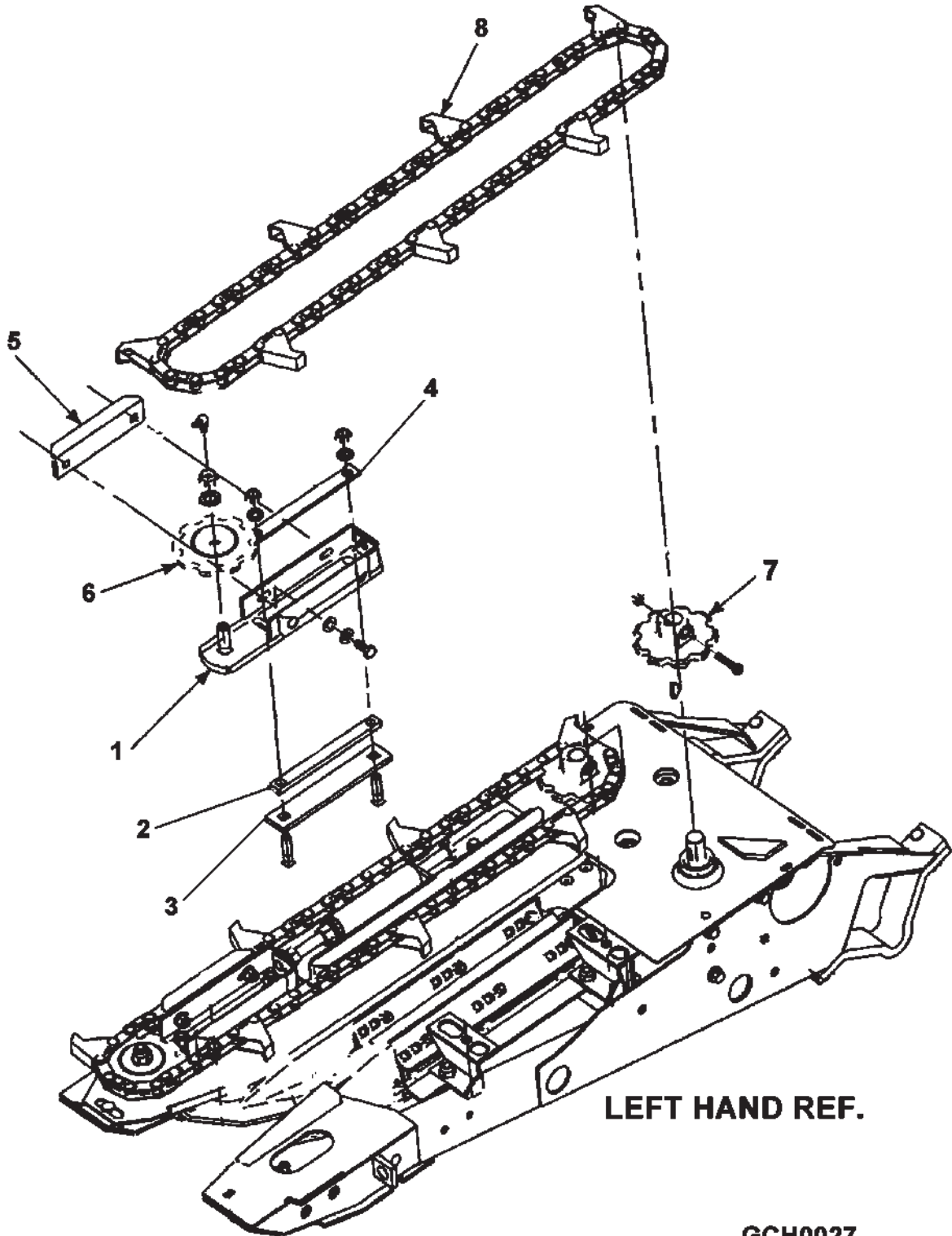
**GATHERING CHAIN & RELATED COMPONENTS
20"/22" SPACING
30", 36", 38" W/OUT PERFORMANCE MOD.**

ITEM	NUMBER	QTY	DESCRIPTION
1	065464S1	2	BRACKET ASY, IDLER
2	71349526	2	SPACER, GUIDE
3	71349527	2	RETAINER, IDLER BRKT.
	70929094	4	BOLT, CGE.-1/2NC X 2
	Y705046	4	WASHER, LOCK, 1/2
	704031	4	NUT, 1/2NC
4	71351088	2	CLAMP, IDLER BRKT.
5	262136M1	4	GUIDE, CHAIN
	3315213M1	8	CAPSCREW, M10 X 30
	339376X1	8	LOCKWASHER, M10
	390734X1	8	WASHER, 10.9 X 21 X 2.2
	1440249X1	8	HEXNUT, M10
6	063070N1	AR	IDLER, GATH. CHAIN
	1136432	AR	BEARING
	3318029M1	AR	SHIELD, BEARING
	3318486M1	AR	RING, RETAINING
	1443769X1	AR	WASHER, 29 X 18 X 3
	1442739X1	AR	NUT, 5/8NC
7	062628P1	AR	SPROCKET, GATH. CHAIN
	70905126	2	KEY, WOODRUFF #15
	70926151	2	CAPSCREW, 5/16-18 X 1-3/4
	70923362	2	NUT, LOCK 5/16
8	071660N1	AR	CHAIN, GATHERING (TYPE CA2060H)
	-----	AR	LINK ASY, ATTACHMENT
9	W980308US	AR	LINK, CONNECTING
10	W980299US	AR	LINK, OFFSET
11	W980288US	AR	LINK, ROLLER

GCH0021

CH CORN HEAD
GATHERING

GATHERING CHAIN & RELATED COMPONENTS
30", 36", 38" WITH PERFORMANCE MOD.
EXCEPT 20"/22" SPACING



LEFT HAND REF.

GCH0027

**CH CORN HEAD
GATHERING**

25

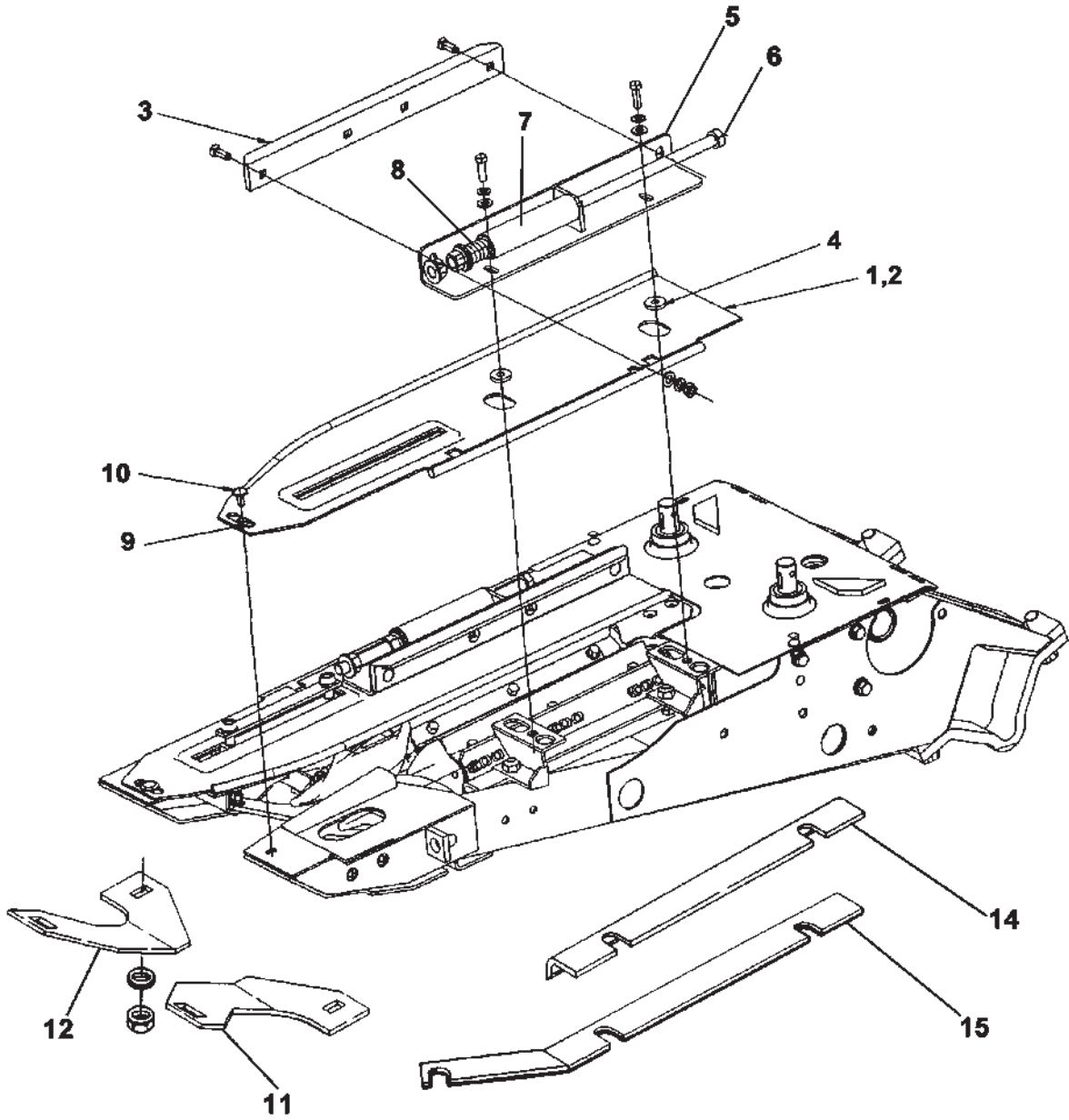
**GATHERING CHAIN & RELATED COMPONENTS
30", 36", 38" WITH PERFORMANCE MOD.
EXCEPT 20"/22" SPACING**

ITEM	NUMBER	QTY	DESCRIPTION
1	71359120	2	*BRACKET ASY, IDLER
2	71349526	2	SPACER, GUIDE
3	71349527	2	RETAINER, IDLER BRKT.
	70929094	4	BOLT, CGE.-1/2NC X 2
	Y705046	4	WASHER, LOCK, 1/2
	704031	4	NUT, 1/2NC
4	71351088	2	CLAMP, IDLER BRKT.
5	71349525	4	*GUIDE, CHAIN
	70921332	8	CAPSCREW, 5/16-18 X 3/4
	70917356	8	WASHER, LOCK, 5/16
	70918265	8	WASHER, NARROW 5/16
6	71359125	AR	*IDLER, GATH. CHAIN
	70918268	2	WASHER, 5/8
	375112X1	2	NUT, JAM 5/8NC
	70915019	2	FITTING, LUBE 1/4-28 X 90 DEG.
7	71391292	AR	*SPROCKET, GATH. CHAIN
	70905126	2	KEY, WOODRUFF #15
	70922127	2	CAPSCREW, 5/16-18 X 1-3/4
	70923362	2	NUT, LOCK 5/16-18
8	71505705	AR	*CHAIN, GATHERING (TYPE CA550)
	70591348	AR	LINK ASY., ATTACHING
	70587183	AR	LINK, CONNECTING (CA550 W/"S" PINS)
	70927035	AR	LINK, OFFSET
	70927034	AR	LINK, ROLLER
-	700525380	AR	KIT, GATHER CHAIN & SPROCKET MOD. (INCLS * ITEMS AND HARDWARE, KIT SERVICES ONE ROW UNIT)

GCH0027

CH CORN HEAD
GATHERING

STRIPPER PLATE/REAR CHAIN GUIDE



GCH0028

CH CORN HEAD
GATHERING

27

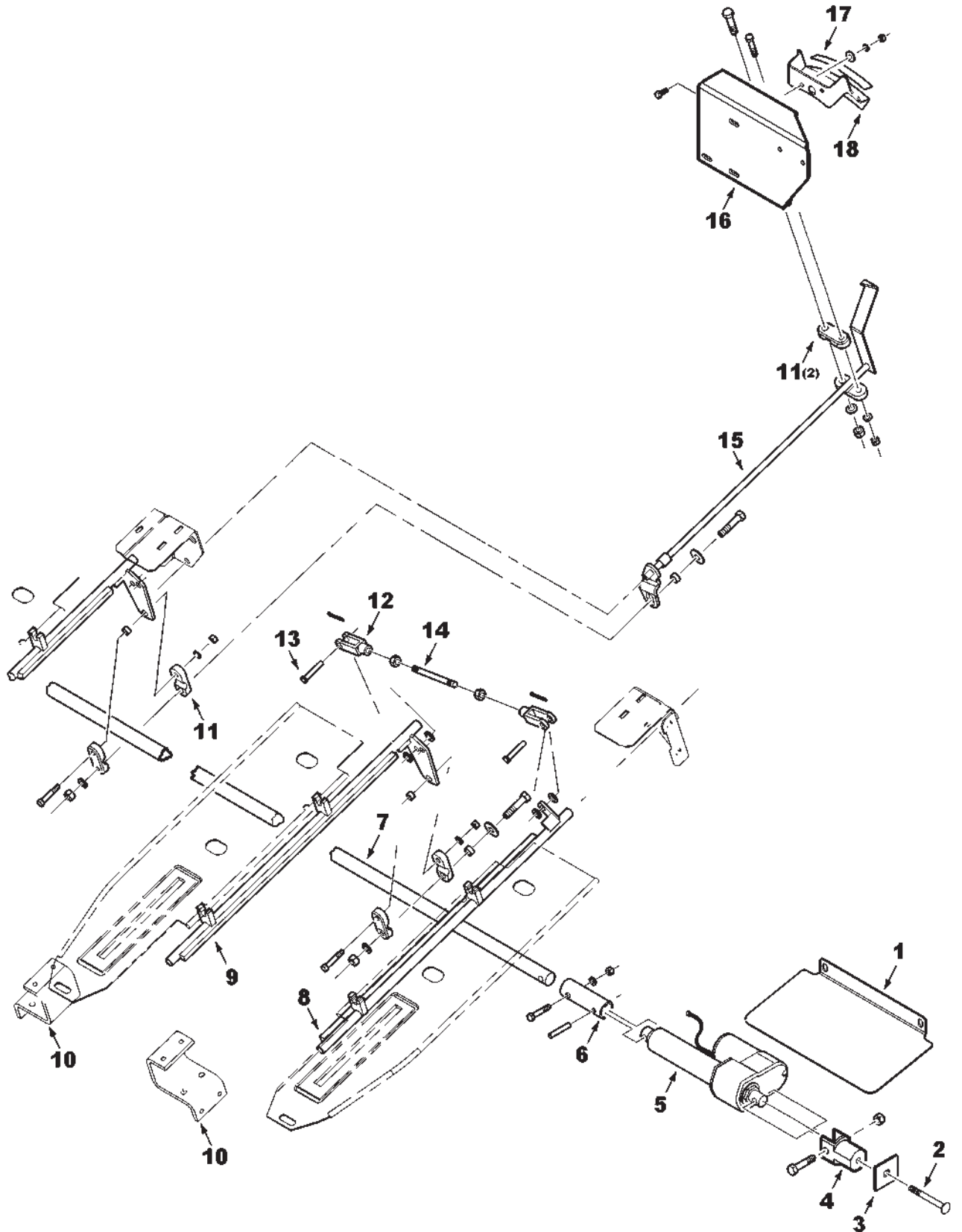
STRIPPER PLATE/REAR CHAIN GUIDE

ITEM	NUMBER	QTY	DESCRIPTION
1	070117S1	1	STRIPPER ASY., L.H.
2	070118S1	1	STRIPPER ASY., R.H.
3	063481P1	2	GUIDE, CHAIN
	3315213M1	AR	CAPSCREW, M10 X 30
	339376X1	AR	LOCKWASHER, M10
	390734X1	AR	WASHER, 10.9 X 21 X 2.2
	1440249X1	AR	HEXNUT, M10
4	70931449	4	WASHER, 13/32 X 1-1/8 X 3/16
5	070826S1	1	GUIDE, CHAIN-REAR (RH)
	070825S1	1	GUIDE, CHAIN-REAR (LH)
	354262X1	AR	CAPSCREW, 3/8-16 X 1-1/2
	339376X1	AR	LOCKWASHER, M10
	390734X1	AR	WASHER, 10.9 X 21 X 2.2
6	063824P1	2	CAPSCREW, 5/8NC X 13.0
	70919388	2	WASHER, 5/8
	70937506	4	NUT, 5/8NC, FLG TOPLOCK, GR. G
7	072147P1	2	STOP, IDLER
8	71356754	2	SPRING, IDLER
9	71356769	2	SPACER, STRIP-FRONT
10	70599697	2	SCREW, STRIP-FRONT
	70917642	AR	WASHER, 5/16
	70931277	2	NUT, 5/16NC, SERR. FLG
11	71505683	1	SHIELD, POINT-L.H.
	70931350	2	BOLT, CGE., 3/8NC X 1
	70917378	2	WASHER, 7/16 X 1.0 X 14GA
	70916965	2	WASHER, LOCK, 3/8
	70916950	2	NUT, 3/8NC
12	71505682	1	SHIELD, POINT-R.H.
	70931350	2	BOLT, CGE. 3/8NC X 1
	70917378	2	WASHER, 7/16 X 1.0 X 14GA
	70916965	2	WASHER, LOCK, 3/8
	70916950	2	NUT, 3/8NC
14	71505582	2	KNIFE, GRASS (STD)
	70921176	4	CAPSCREW, 1/2NC X 1-1/4
	70923858	AR	WASHER, 17/32 X 1-1/4 X 7GA.
15	71369339	AR	KNIFE, WLMT, GRASS, LH (USED WITH GRASS KNIFE PKG)
	71369340	AR	KNIFE, WLMT, GRASS, RH (USED WITH GRASS KNIFE PKG)
-	71373742	AR	KNIFE PKG, GRASS (INCLUDES KNIVES AND ROLL POINTS)(ORDER THRU DEALER CENTRAL)
-	79014637	AR	NEVER-SEEZ (8.0 OZ. BRUSH)
-	79014650	AR	NEVER-SEEZ (12.0 OZ. SPRAY)

GCH0028

CH CORN HEAD
GATHERING

ADJUSTABLE STRIPPER
630 & 636



GCH0017

**CH CORN HEAD
GATHERING**

29

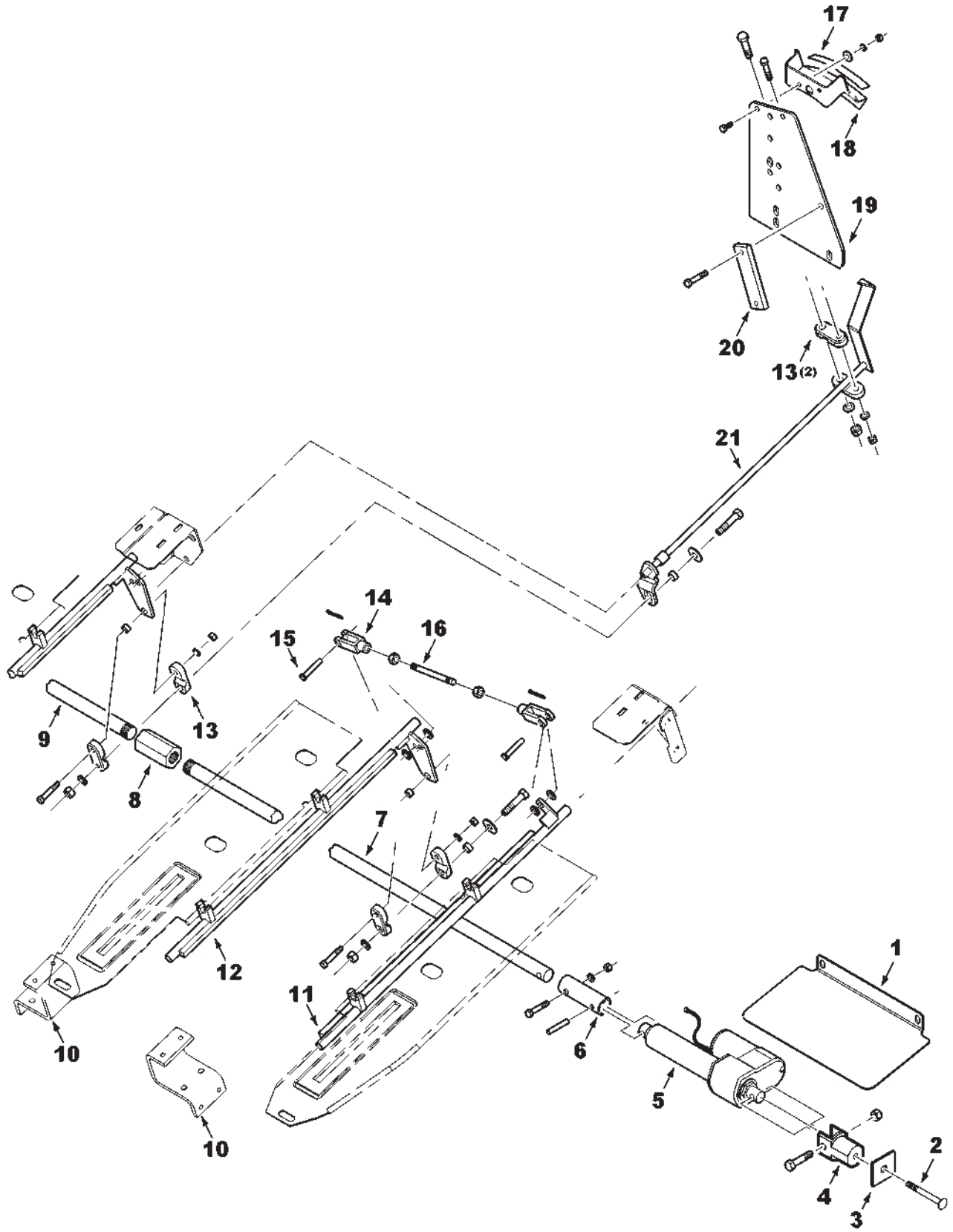
**ADJUSTABLE STRIPPER
630 & 636**

ITEM	NUMBER	QTY	DESCRIPTION
1	71390623	1	SHIELD, ACTUATOR
2	700710984	1	SCREW, HEX FLNG CAP, 1/2-13 X 1-1/4
3	71390069	1	PLATE, ANCHOR
4	71396631	1	ANCHOR, ACTUATOR
	70922645	AR	SCREW, CAP 1/2-13 X 2-1/4
	70926946	1	LOCKNUT
5	71390625	1	ACTUATOR, ELECTRIC
6	71390610	1	CONNECTOR, ACTUATOR ROD
	70922130	1	SCREW, CAP 3/8-16 X 2-1/4
	70916965	1	WASHER, LOCK 3/8
	70916950	1	NUT, HEX 3/8-16 GR5
	70922524	1	PIN
7	71379975	1	SHAFT, CONTROL 3657MM (630)
	71396942	1	SHAFT, CONTROL 4200MM (636)
8	71386949	1	LEVER, RH
9	71386947	AR	LEVER, LH
10	71396850	AR	BRACKET, MTG., LATCH PLATE
11	71384375	AR	CLAMP, HALF CONTROL
	70922130	AR	SCREW, CAP 3/8-16 X 2-1/4
	70916965	AR	WASHER, LOCK 3/8
	70916950	AR	NUT, HEX 3/8-16 GR5
	70922645	AR	SCREW, CAP 1/2-13 X 2-1/4
	Y705046	AR	WASHER, LOCK 1/2 REG.
	704031	AR	NUT, REGULAR 1/2-13
	71384374	5	SPACER, 5/8 O.D.
12	70937465	2	YOKE
	70928178	4	WASHER, 17/32 X 1.00
13	70929593	2	PIN
	70918452	2	PIN, COTTER
14	71396874	1	ROD, CONTROL (630)
	71396950	1	ROD, CONTROL (636)
	704056	2	NUT, JAM 1/2-13
15	71390605	1	POINTER, SHAFT
	70923240	1	SCREW, CAP 1/2-13 X 2-3/4
	70928178	1	WASHER, 17/32 X 1.00
	71384373	1	SPACER, 3/4 O.D.
	Y705046	AR	WASHER, LOCK 1/2 REG.
	704031	AR	NUT, REGULAR 1/2-13
16	71390602	1	PLATE, POINTER
17	71384529	1	DECAL, INDICATOR
18	71384527	1	INDICATOR, PLASTIC DIAL
	70923325	2	SCREW, CAP 5/16-18 X 7/8
	700709602	2	WASHER, PLAIN 5/16
	70917356	2	WASHER, LOCK 5/16
	70917372	2	NUT, REGULAR 5/16-18 GR2

GCH0017

CH CORN HEAD
GATHERING

ADJUSTABLE STRIPPER
836 & 838



GCH0018

**CH CORN HEAD
GATHERING**

31

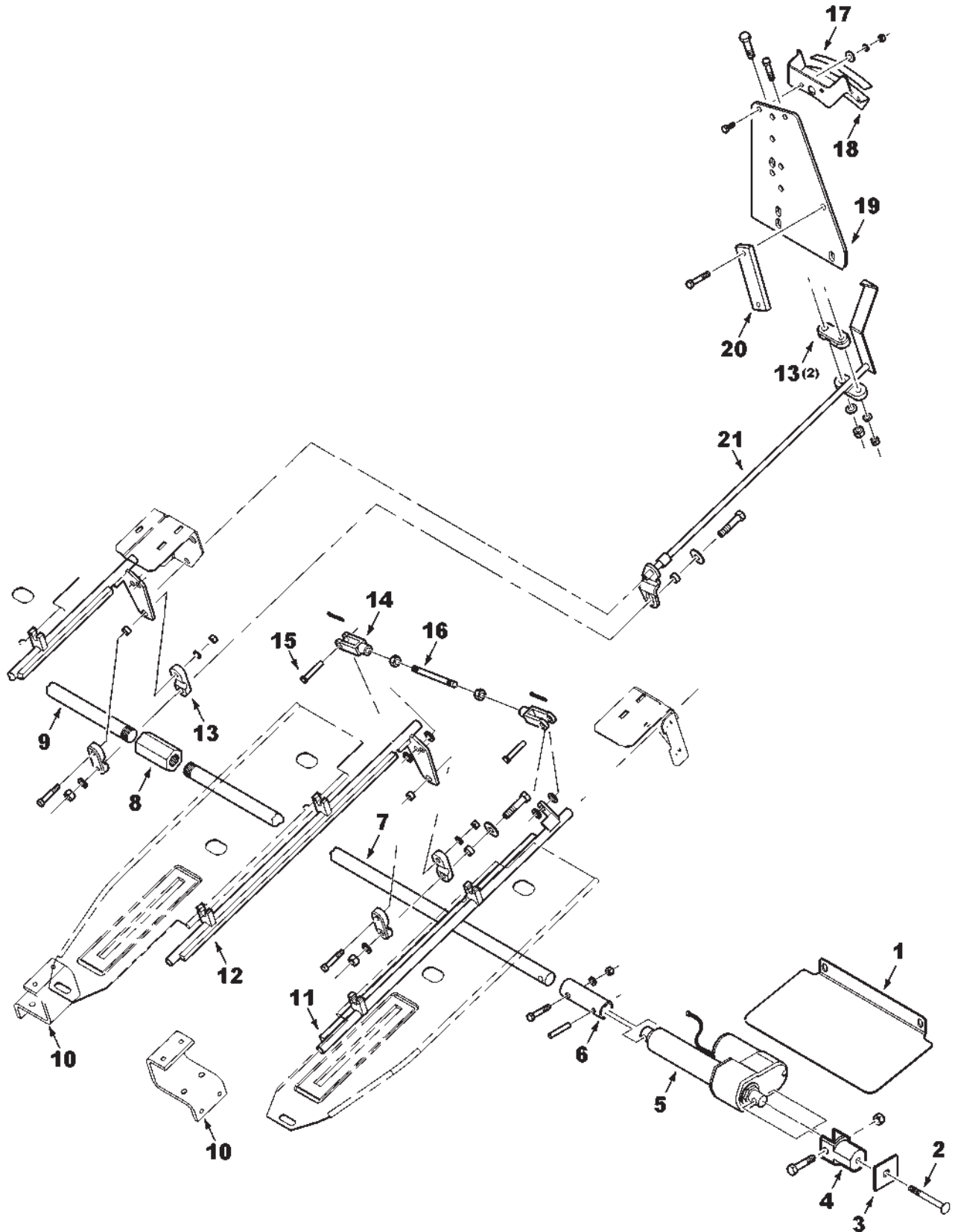
**ADJUSTABLE STRIPPER
836 & 838**

ITEM	NUMBER	QTY	DESCRIPTION
1	71390623	1	SHIELD, ACTUATOR
2	700710984	1	SCREW, HEX FLNG CAP, 1/2-13 X 1-1/4
3	71390069	1	PLATE, ANCHOR
4	71396631	1	ANCHOR, ACTUATOR
	70922645	AR	SCREW, CAP 1/2-13 X 2-1/4
	70926946	1	LOCKNUT, 1/2-13
5	71390625	1	ACTUATOR, ELECTRIC
6	71390610	1	CONNECTOR, ACTUATOR ROD
	70922130	1	SCREW, CAP 3/8-16 X 2-1/4
	70916965	1	WASHER, LOCK 3/8
	70916950	1	NUT, HEX 3/8-16 GR5
	70922524	1	PIN
7	71396887	1	SHAFT, CONTROL 3885MM (836)
	71396888	2	SHAFT, CONTROL 3165MM (838)
8	71379972	1	COUPLER, NUT
9	71396866	1	SHAFT, CONTROL 2365MM (836)
10	71396850	AR	BRACKET, MTG., LATCH PLATE
11	71386949	1	LEVER, RH
12	71386947	7	LEVER, LH
13	71384375	16	CLAMP, HALF CONTROL
	70922130	AR	SCREW, CAP 3/8-16 X 2-1/4
	70916965	AR	WASHER, LOCK 3/8
	70916950	AR	NUT, HEX 3/8-16 GR5
	70922645	AR	SCREW, CAP 1/2-13 X 2-1/4
	Y705046	AR	WASHER, LOCK 1/2 REG.
	704031	AR	NUT, REGULAR 1/2-13
	71384374	5	SPACER, 5/8 O.D.
14	70937465	2	YOKE
	70928178	4	WASHER, 17/32 X 1.00
15	70929593	2	PIN
	70918452	2	PIN, COTTER
16	71396950	1	ROD, CONTROL (836)
	71396949	1	ROD, CONTROL (838)
	704056	2	NUT, JAM 1/2-13
17	71384529	1	DECAL, INDICATOR
18	71384527	1	INDICATOR, PLASTIC DIAL
	70923325	2	SCREW, CAP 5/16-18 X 7/8
	700709602	2	WASHER, PLAIN 5/16
	70917356	2	WASHER, LOCK 5/16
	70917372	2	NUT, REGULAR 5/16-18 GR2
19	71390601	1	PLATE, POINTER
20	71384499	1	STRAP, ACTUATOR MOUNT
21	71390605	1	POINTER, SHAFT
	70923240	1	SCREW, CAP 1/2-13 X 2-3/4
	70928178	1	WASHER, 17/32 X 1.00
	71384373	1	SPACER, 3/4 O.D.
	Y705046	AR	WASHER, LOCK 1/2 REG.
	704031	AR	NUT, REGULAR 1/2-13

GCH0018

CH CORN HEAD
GATHERING

ADJUSTABLE STRIPPER
830 & 1230



GCH0019

**CH CORN HEAD
GATHERING**

33

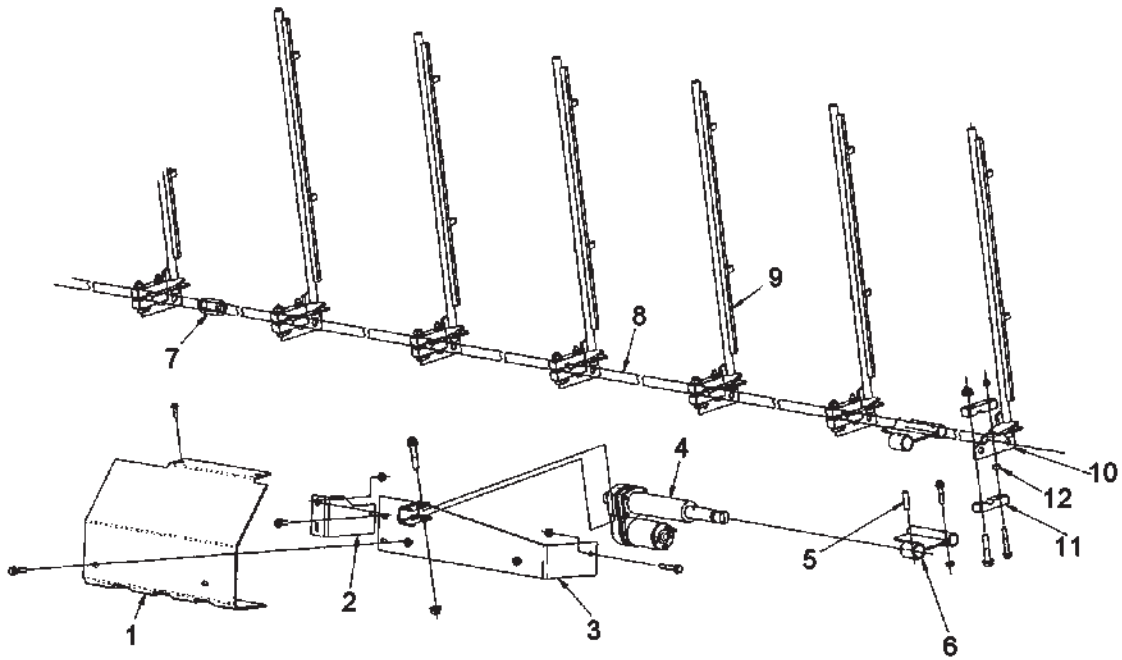
**ADJUSTABLE STRIPPER
830 & 1230**

ITEM	NUMBER	QTY	DESCRIPTION
1	71390623	1	SHIELD, ACTUATOR
2	700710984	1	SCREW, HEX FLNG CAP, 1/2-13 X 1-1/4
3	71390069	1	PLATE, ANCHOR
4	71396631	1	ANCHOR, ACTUATOR
	70922645	AR	SCREW, CAP 1/2-13 X 2-1/4
	70926946	1	LOCKNUT
5	71390625	1	ACTUATOR, ELECTRIC
6	71390610	1	CONNECTOR, ACTUATOR ROD
	70922130	1	SCREW, CAP 3/8-16 X 2-1/4
	70916965	1	WASHER, LOCK 3/8
	70916950	1	NUT, HEX 3/8-16 GR5
	70922524	1	PIN
7	71396866	1	SHAFT, CONTROL 2365MM (830)
	71396887	1	SHAFT, CONTROL 3885MM (1230)
8	71379972	1	COUPLER, NUT
9	71379974	1	SHAFT, CONTROL 2650MM (830)
	71396942	1	SHAFT, CONTROL 4200MM (1230)
10	71396850	AR	BRACKET, MTG., LATCH PLATE
11	71386949	1	LEVER, RH
12	71386947	AR	LEVER, LH
13	71384375	AR	CLAMP, HALF CONTROL
	70922130	AR	SCREW, CAP 3/8-16 X 2-1/4
	70916965	AR	WASHER, LOCK 3/8
	70916950	AR	NUT, HEX 3/8-16 GR5
	70922645	AR	SCREW, CAP 1/2-13 X 2-1/4
	Y705046	AR	WASHER, LOCK 1/2 REG.
	704031	AR	NUT, REGULAR 1/2-13
	71384374	7	SPACER, 5/8 O.D.
14	70937465	2	YOKE
	70928178	4	WASHER, 17/32 X 1.00
15	70929593	2	PIN
	70918452	2	PIN, COTTER
16	71396874	1	ROD, CONTROL
	704056	2	NUT, JAM 1/2-13
17	71384529	1	DECAL, INDICATOR
18	71384527	1	INDICATOR, PLASTIC DIAL
	70923325	2	SCREW, CAP 5/16-18 X 7/8
	700709602	2	WASHER, PLAIN 5/16
	70917356	2	WASHER, LOCK 5/16
	70917372	2	NUT, REGULAR 5/16-18 GR2
19	71390601	1	PLATE, POINTER
20	71384499	1	STRAP, ACTUATOR MOUNT
21	71390605	1	POINTER, SHAFT
	70923240	1	SCREW, CAP 1/2-13 X 2-3/4
	70928178	1	WASHER, 17/32 X 1.00
	71384373	1	SPACER, 3/4 O.D.
	Y705046	AR	WASHER, LOCK 1/2 REG.
	704031	AR	NUT, REGULAR 1/2-13

GCH0019

CH CORN HEAD
GATHERING

ADJUSTABLE STRIPPER
1220 & 1222
EFF. S/N HN27101



**CH CORN HEAD
GATHERING**

35

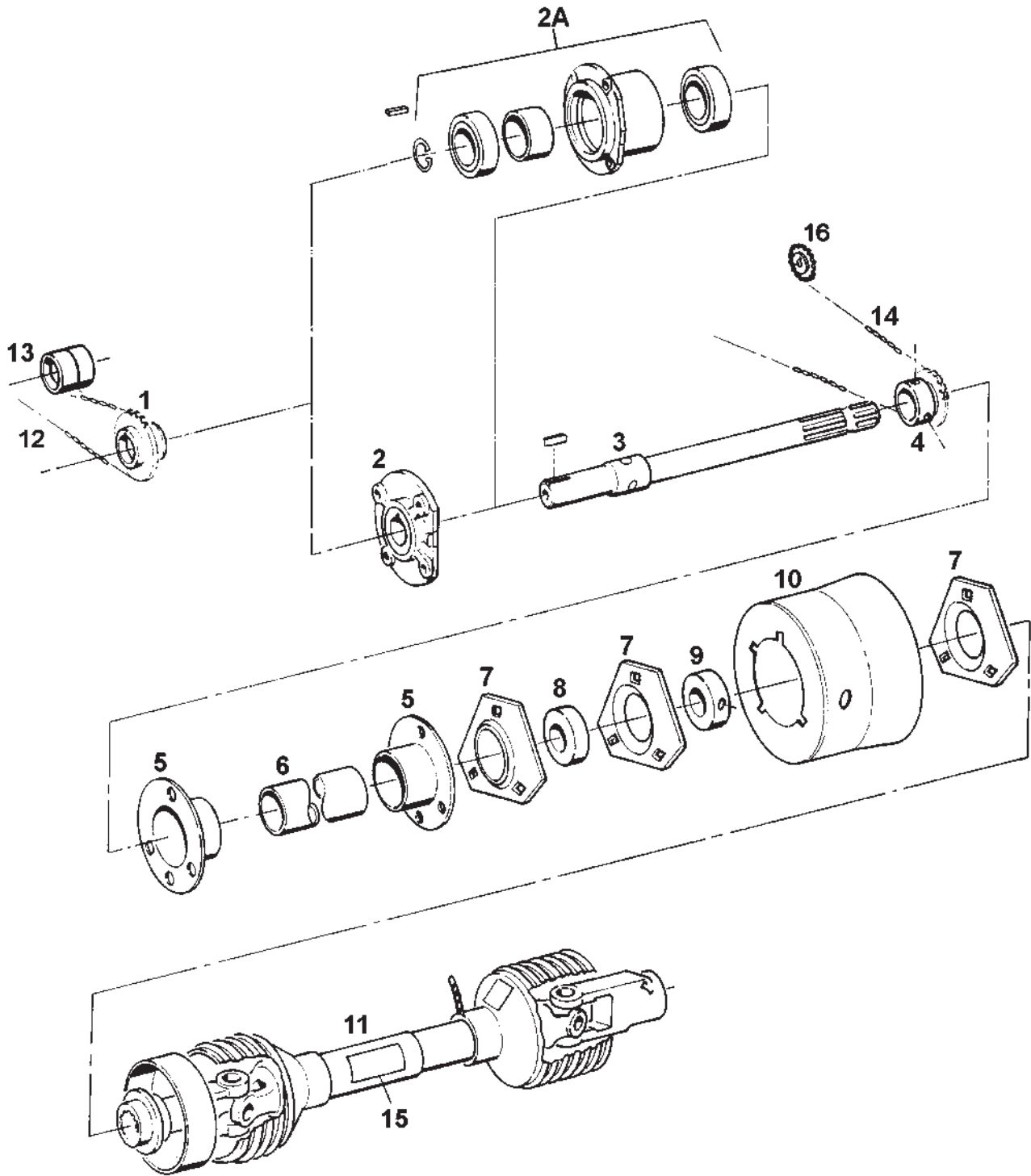
**ADJUSTABLE STRIPPER
1220 & 1222
EFF. S/N HN27101**

ITEM	NUMBER	QTY	DESCRIPTION
1	71401499	1	COVER, ACTUATOR
	70930598	2	SCREW, HX WSHR HD TAP 3/8-16 X 1-1/2
	7883333	2	SCREW, HX WSHR HD MACH 5/16-18 X 1
2	71401513	1	ANGLE, ACTUATOR MOUNT
	7883382	2	SCREW, HX WSHR HD MACH 3/8-16 X 1
	700711238	2	HEXNUT, FLNG 3/8-16
3	71401515	1	MOUNT, ACTUATOR
	7702079	2	CAPSCREW, 3/8-16 X 2-1/2
	700711238	2	HEXNUT, FLNG 3/8-16
4	71390625	1	ACTUATOR, ELECTRIC
	700710849	1	CAPSCREW, 1/2-13 X 2-1/2
	Y704742	1	LOCKNUT, 1/2-13
5	70922770	1	PIN, SLOTTED SPRING, 1/2 X 1-3/4
6	71401496	1	BRACKET, ACTUATOR MTG.
	700711134	1	CAPSCREW, 3/8-16 X 1-3/4
	700711238	1	HEXNUT, FLNG 3/8-16
7	71379972	1	COUPLER, NUT
8	71403751	2	SHAFT, ADJ. STRIPPER (1220)
	71403752	2	SHAFT, ADJ. STRIPPER (1222)
9	71400992	12	LEVER
10	71403761	12	PLATE, CRANK ANGLE
11	71400990	24	CLAMP, HALF CONTROL
	700710849	12	CAPSCREW, 1/2-13 X 2-1/2
	7702079	12	CAPSCREW, 3/8-16 X 2-1/2
	Y704742	12	LOCKNUT, 1/2-13
	700711238	12	HEXNUT, FLNG 3/8-16
12	71384374	12	SPACER, 5/8 O.D.

GCH0029

CH CORN HEAD
DRIVES

MAIN DRIVES
LEFT HAND PTO
630, 636, 830, 836, 838, 1220,
1222, 1230



GCH0015A

**CH CORN HEAD
DRIVES**

37

**MAIN DRIVES
LEFT HAND PTO
630, 636, 830, 836, 838, 1220,
1222, 1230**

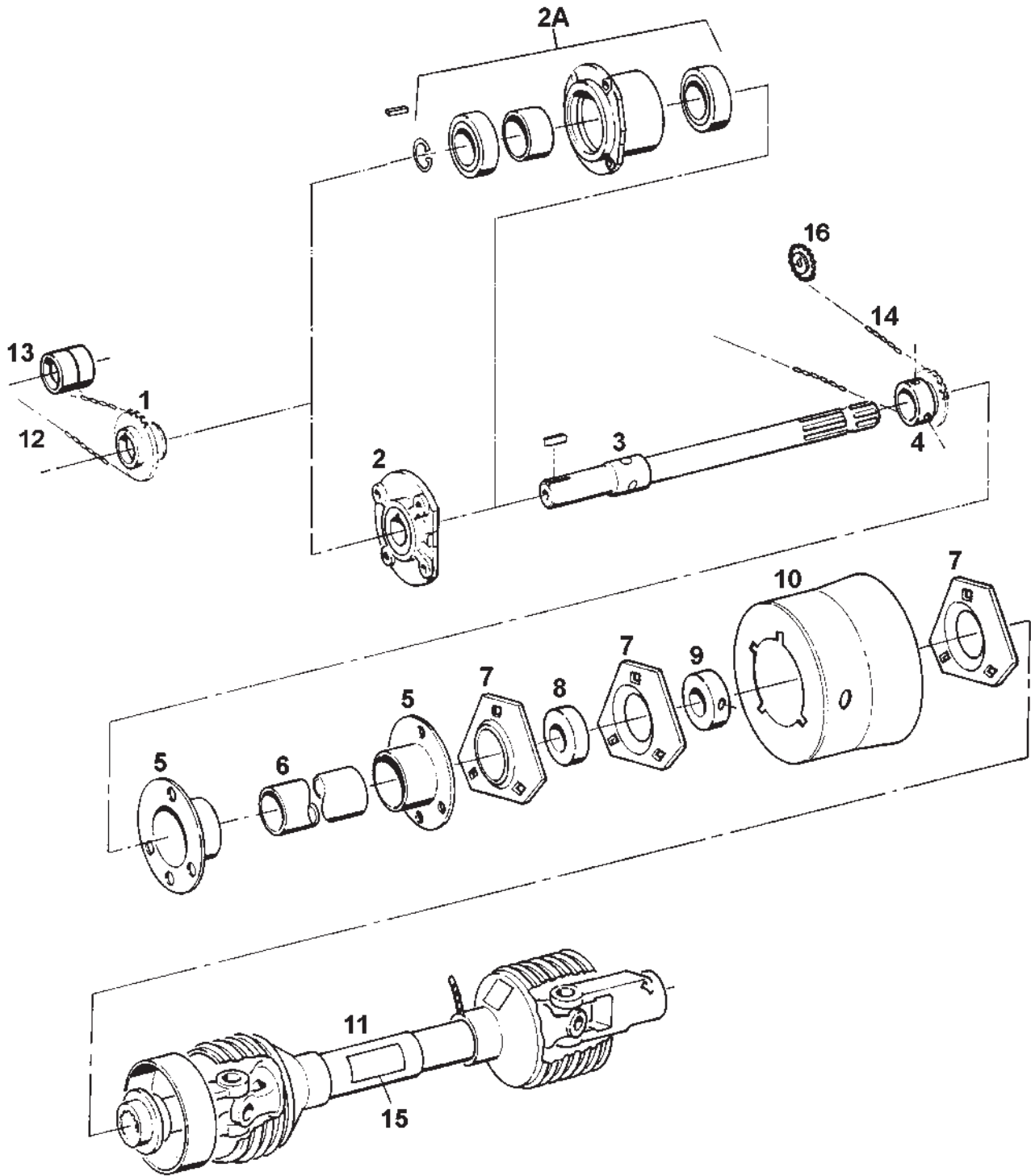
ITEM	NUMBER	QTY	DESCRIPTION	
1	71358097	AR	SPROCKET ASY., (18T) (STD. PRIOR S/N HN27101)	
	71372424	AR	SPROCKET ASY., MAIN DRIVE (13T)	
	71358096	AR	SPROCKET ASY., MAIN DR. (16T)	
	71398297	AR	**SPROCKET ASY., (24T) (STD. EFF. S/N HN27101)	
	71400313	AR	**KIT, SPEED UP SPROCKET (24T)(PRIOR S/N HN27101)	
	70914584	4	LINK, CHAIN #60 (INCLUDED IN KIT)	
	700711927	1	KEY, 5/16 SQ. X 1.0	
	70921345	1	WASHER, 41/64 X 1-3/4 X 7GA.	
	70917373	1	WASHER, LOCK, 5/8	
	353609X1	1	CAPSCREW, 5/8NF X 1-1/4	
	2	71359103	1	HOUSING ASY., MAIN DRIVE- L.H.
		50021	1	BEARING
		70923220	4	CAPSCREW, 3/8NC X 1-1/4
		70916965	4	WASHER, LOCK, 3/8
2A		71359105	1	HOUSING ASY., DOUBLE BRG.
		1140823	2	BEARING, BALL
		71354925	1	SPACER, BRG.
		355988X1	1	RING, RETAINING
		70923220	4	CAPSCREW, 3/8NC X 1-1/4
		70916965	4	WASHER, LOCK, 3/8
	700704010	AR	SEALANT	
	3	71359654	1	SHAFT ASY., MAIN DRIVE-L.H. (630)
		71359643	1	SHAFT ASY., MAIN DRIVE-L.H. (636)
		71359644	1	SHAFT ASY., MAIN DRIVE-L.H. (830)
71359641		1	SHAFT ASY., MAIN DRIVE-L.H. (836/838)	
71383535		1	SHAFT ASY., MAIN DRIVE-L.H. (1220)	
71383611		1	SHAFT ASY., MAIN DRIVE-L.H. (1222)	
71358338		1	SHAFT ASY., MAIN DRIVE-L.H. (1230)	
71359636		1	SHAFT ASY., MAIN DR.-L.H.	
71179395		1	SLEEVE, PROTECTIVE SHAFT (NOT ILL)	
4		71358014	1	SPROCKET ASY., CONVEYOR DRIVE (12T) (STD. PRIOR S/N HN27101)
	71359660	1	*SPROCKET ASY., CONVEYOR DRIVE (16T) (CONVEYOR SPEED UP & EFF. S/N HN27101)	
	71349858	2	*SCREW, SPRKT.	
	71351895	1	SUPPORT ASY., SHIELD	
6	71356293	1	SHIELD, CTSFT.-L.H. (630)	
	71356295	1	SHIELD, CTSFT.-L.H. (636)	
	71351903	1	SHIELD, CTSFT.-L.H. (830)	
	71356299B	1	SHIELD, CTSFT.-L.H. (836/838)	
	71383507	1	SHIELD, CTSFT.-L.H. (1220)	
	71383508	1	SHIELD, CTSFT.-L.H. (1222)	
	71356303	1	SHIELD, CTSFT.-L.H. (1230)	

CONTINUED

GCH0015A

CH CORN HEAD
DRIVES

MAIN DRIVES
LEFT HAND PTO
630, 636, 830, 836, 838, 1220,
1222, 1230



GCH0015A

**CH CORN HEAD
DRIVES**

39

**MAIN DRIVES
LEFT HAND PTO
630, 636, 830, 836, 838, 1220,
1222, 1230**

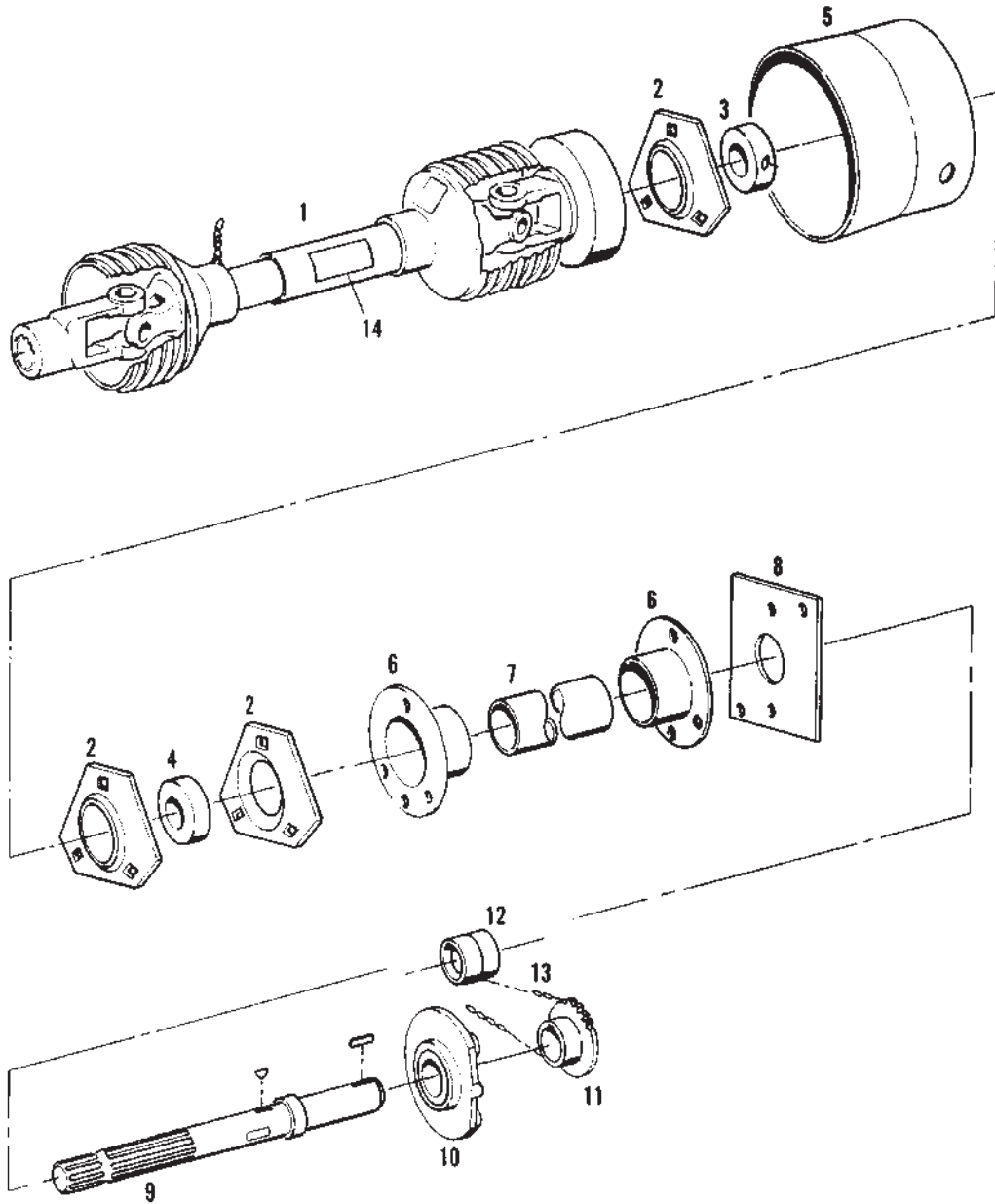
ITEM	NUMBER	QTY	DESCRIPTION
7	71192243	3	FLANGE, BRG., 72 MM
	70921975	3	CAPSCREW, 3/8NC X 1-3/4
	70922465	3	WASHER, 13/32 X 13/16 X 1/8
	70922755	3	WASHER, 13/32 X 1.00 X 10GA
	70931211	6	NUT, SM. SERR. FLG., 3/8NC
	70917378	3	WASHER, 3/8-STD
8	K4037	1	BEARING, (1.375 I.D. W/O COLLAR)
9	K3999	1	COLLAR, LOCK
	70902870	1	SETSCREW, SCKT. HD., 3/8NC X 3/8
10	71354266	1	SHIELD, P.T.O. SHAFT
11	71389341	AR	SHAFT, DRIVE,PTO (6-12 ROW)
12	-----	--	CHAIN, UNIT DRIVE, #60-SINGLE STRAND (USE 99 LINKS OF BULK CHAIN WITH 1 OFFSET & 1 CONNECTOR OR 104 LINKS WITH CONVEYOR SPEED UP AND/OR EFF. S/N HN27101)
	70921050	AR	CHAIN, BULK, 3/4 PITCH (10 FT.)
	70926364	AR	CHAIN, BULK, 3/4 PITCH (50 FT.)
	70916790	AR	LINK, OFFSET
	70914584	AR	LINK, CONNECTOR
	70917009	AR	LINK, ROLLER
13	79008328	1	IDLER, ROLLER
	71381213	1	SLEEVE, IDLER BEARING
	70927493	1	BOLT, CGE., 1/2NC X 2-1/2
	70924113	2	WASHER, 17/32 X 1-1/4 X 7GA.
	Y705046	1	WASHER, LOCK, 1/2
	704031	1	NUT, 1/2NC
14	-----	--	CHAIN, CONV DRIVE #60-SINGLE STRAND (USE 107 LINKS OF BULK CHAIN WITH 1 OFFSET & 1 CONNECTOR OR 109 LINKS WITH CONVEYOR SPEED UP AND/OR EFF. S/N HN27101 W/O VAR. SPEED SHAFTS)
	70921050	AR	CHAIN, BULK, 3/4 PITCH (10 FT.)
	70926364	AR	CHAIN, BULK, 3/4 PITCH (50 FT.)
	70916790	AR	LINK, OFFSET
	70914584	AR	LINK, CONNECTOR
	70917009	AR	LINK, ROLLER
15	71359170	1	DECAL, PTO DANGER
16	71137120	1	IDLER, 13T. SPROCKET
	71381213	1	SLEEVE, IDLER BEARING
	70923858	3	WASHER,FLAT,.531 I.D. X 1-1/4 O.D. X.180
	70920138	1	WASHER,FLAT,.531 I.D. X 1-1/4 O.D. X.120
	70931812	1	BOLT, CGE., 1/2NC X 3
	Y705046	1	WASHER, LOCK, 1/2
	704031	1	NUT, 1/2NC
-	71363094	AR	PKG, SPROCKET, CONV. (SPEED-UP) 6-12 ROW INCLUDES * ITEMS(PRIOR S/N HN27101) ORDER THRU DEALER CENTRAL)

**NOTE:(FOR COMBINES WITHOUT
VARIABLE SPEED JACK SHAFTS)

GCH0015A

CH CORN HEAD
DRIVES

MAIN DRIVE
RIGHT HAND
830, 836, 838, 1220, 1222 & 1230



GCH0007

**CH CORN HEAD
DRIVES**

41

**MAIN DRIVE
RIGHT HAND
830, 836, 838, 1220, 1222 & 1230**

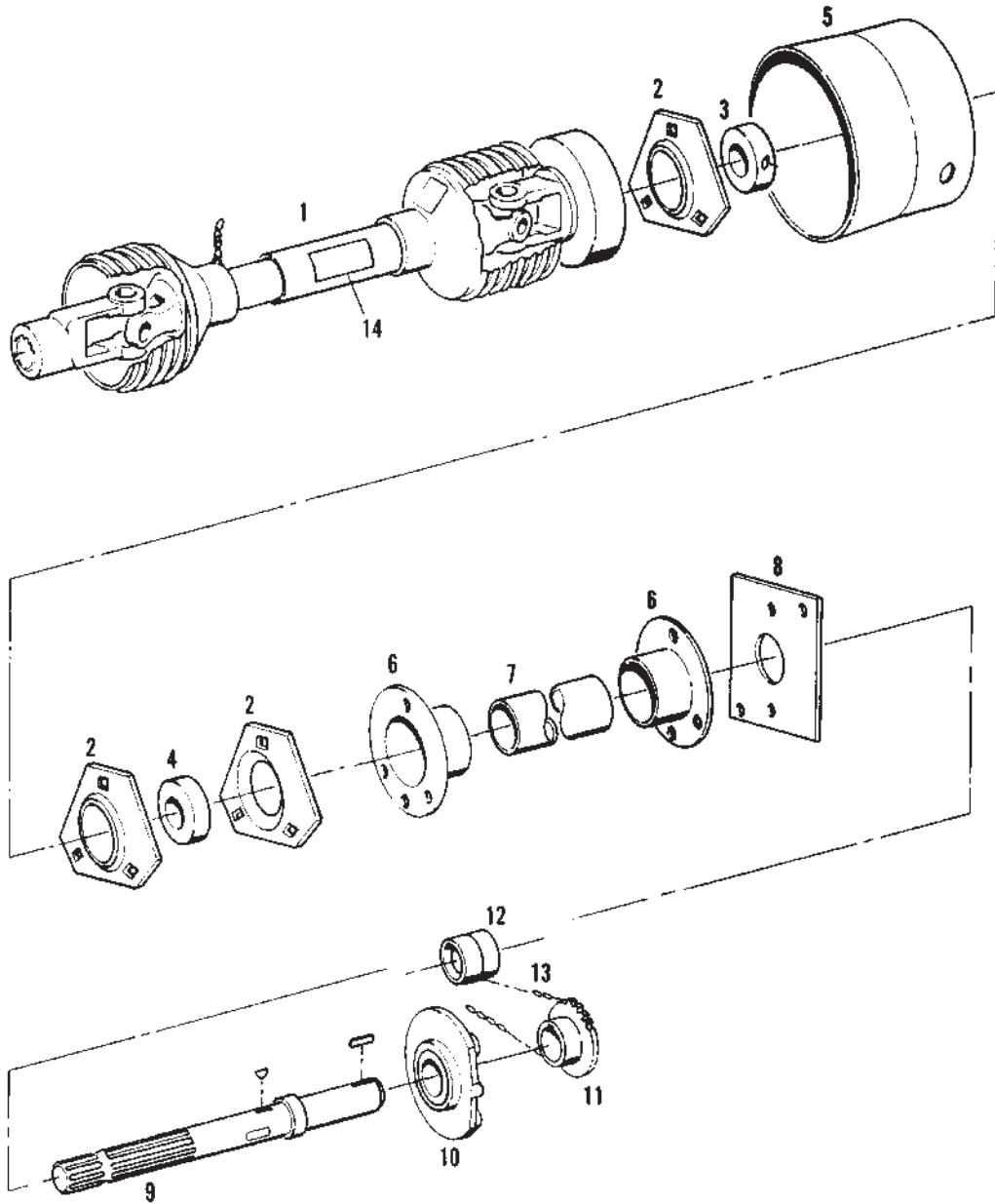
ITEM	NUMBER	QTY	DESCRIPTION
1	71389340	1	SHAFT, DRIVE-P.T.O.
2	71192243	3	FLANGE, BRG., 72 MM
	70921975	3	CAPSCREW, 3/8NC X 1-3/4
	70922465	3	WASHER, 13/32 X 13/16 X 1/8
	70931211	6	NUT, 3/8NC-SM. SERR. FLG.
	70922755	3	WASHER, 3/8
3	70527219	1	COLLAR
4	K4037	1	BEARING, (1.375 I.D. W/O COLLAR)
	K3999	1	COLLAR, LOCK
5	71354266	1	SHIELD, P.T.O. DRIVE SHAFT
6	71351895	1	SUPPORT ASY., SHIELD
	70921965	2	CAPSCREW, 3/8NC X 3/4
	70919312	2	WASHER, LOCK, 3/8
7	71380195	1	SHIELD, CTRSFT. (830)
	71380196	1	SHIELD, CTRSFT. (836)
	71380196	1	SHIELD, CTRSFT. (838)
	71383506	1	SHIELD, CTRSFT. (1220)
	71383509	1	SHIELD, CTRSFT. (1222)
	71356302	1	SHIELD, CTRSFT. (1230)
8	71382482	1	EXTENSION, SHIELD, R.H.
	365775X1	4	SCREW, TAPPING, 1/4 X 1/2
9	71358331	1	SHAFT ASY., MAIN DRIVE-R.H. (830)
	71358333B	1	SHAFT ASY., MAIN DRIVE-R.H. (836/838)
	71383534	1	SHAFT ASY., MAIN DRIVE-R.H. (1220)
	71383610	1	SHAFT ASY., MAIN DRIVE-R.H. (1222)
	71358337	1	SHAFT ASY., MAIN DRIVE-R.H. (1230)
	71179395	1	SLEEVE, SHAFT PROTECTION (NOT ILL)
10	71359103	1	HOUSING ASY., BRG.
	50021	1	BEARING
	70923220	4	CAPSCREW, 3/8NC X 1-1/4
	70919312	4	WASHER, LOCK, 3/8
11	71358097	AR	SPROCKET ASY., (18T) (STD. PRIOR S/N HN27101)
	71372424	AR	SPROCKET ASY., MAIN DRIVE (13T)
	71358096	AR	SPROCKET ASY., MAIN DRIVE (16T)
	71398297	AR	**SPROCKET ASY., (24T) (STD. EFF. S/N HN27101)
	71400313	AR	**KIT, SPEED UP SPROCKET (24T)(PRIOR S/N HN27101)
	49378X	1	KEY, 5/16 SQ. X 1-1/4
	353609X1	1	CAPSCREW, 5/8NF X 1-1/4
	70917373	1	WASHER, LOCK, 5/8
	70921345	1	WASHER, 41/64 X 1-3/4 X 7GA.

CONTINUED

GCH0007

CH CORN HEAD
DRIVES

MAIN DRIVE
RIGHT HAND
830, 836, 838, 1220, 1222 & 1230



GCH0007

**CH CORN HEAD
DRIVES**

43

**MAIN DRIVE
RIGHT HAND
830, 836, 838, 1220, 1222 & 1230**

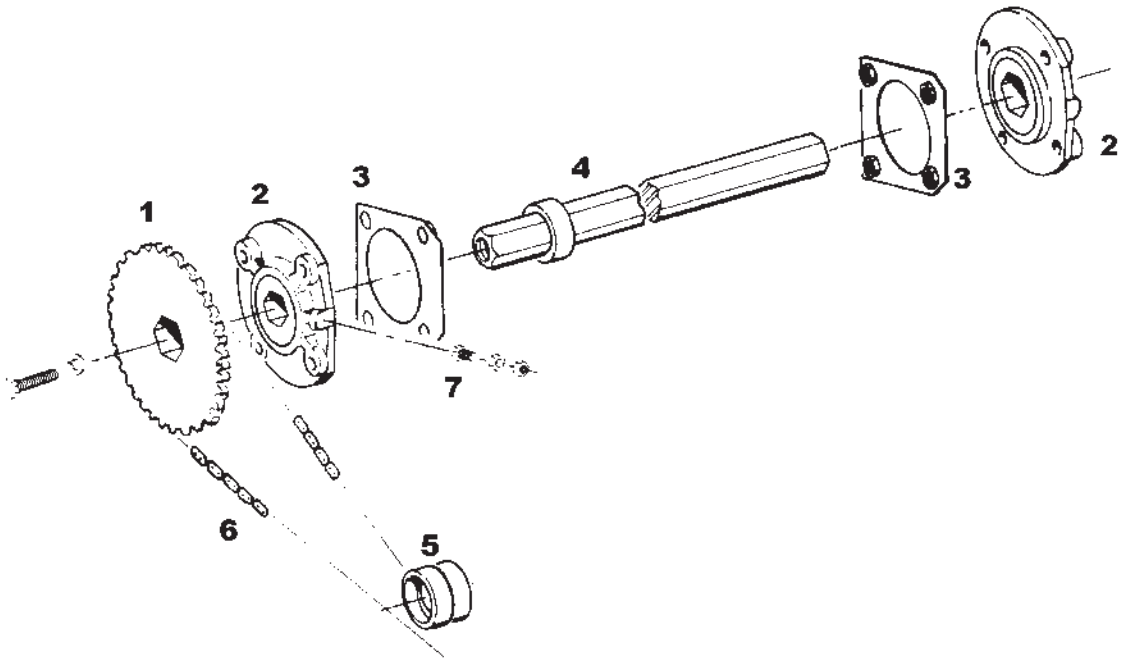
ITEM	NUMBER	QTY	DESCRIPTION
12	79008328	1	IDLER, ROLLER
	71381213	1	SLEEVE, IDLER BEARING
	70927493	1	BOLT, CGE., 1/2NC X 2-1/2
	70923858	2	WASHER, 17/32 X 1-1/4 X 7GA.
	Y705046	1	WASHER, LOCK, 1/2
	704031	1	NUT, 1/2NC
13	-----	--	CHAIN, UNIT DRIVE, (USE 99 LINKS OF #60 CHAIN WITH 1-OFFSET & 1-CONNECTOR OR 104 LINKS WITH CONVEYOR SPEED UP AND/OR EFF. S/N HN27101)
	70921050	AR	CHAIN, BULK, 3/4 PITCH (10 FT.)
	70926364	AR	CHAIN, BULK, 3/4 PITCH (50 FT.)
	70916790	AR	LINK, OFFSET
	70914584	AR	LINK, CONNECTOR
	70917009	AR	LINK, ROLLER
	71359170	1	DECAL, PTO DANGER

**NOTE:(FOR COMBINES WITHOUT
VARIABLE SPEED JACK SHAFTS)

GCH0007

CH CORN HEAD
DRIVES

UNIT DRIVE
LEFT HAND
ALL MODELS



**CH CORN HEAD
DRIVES**

45

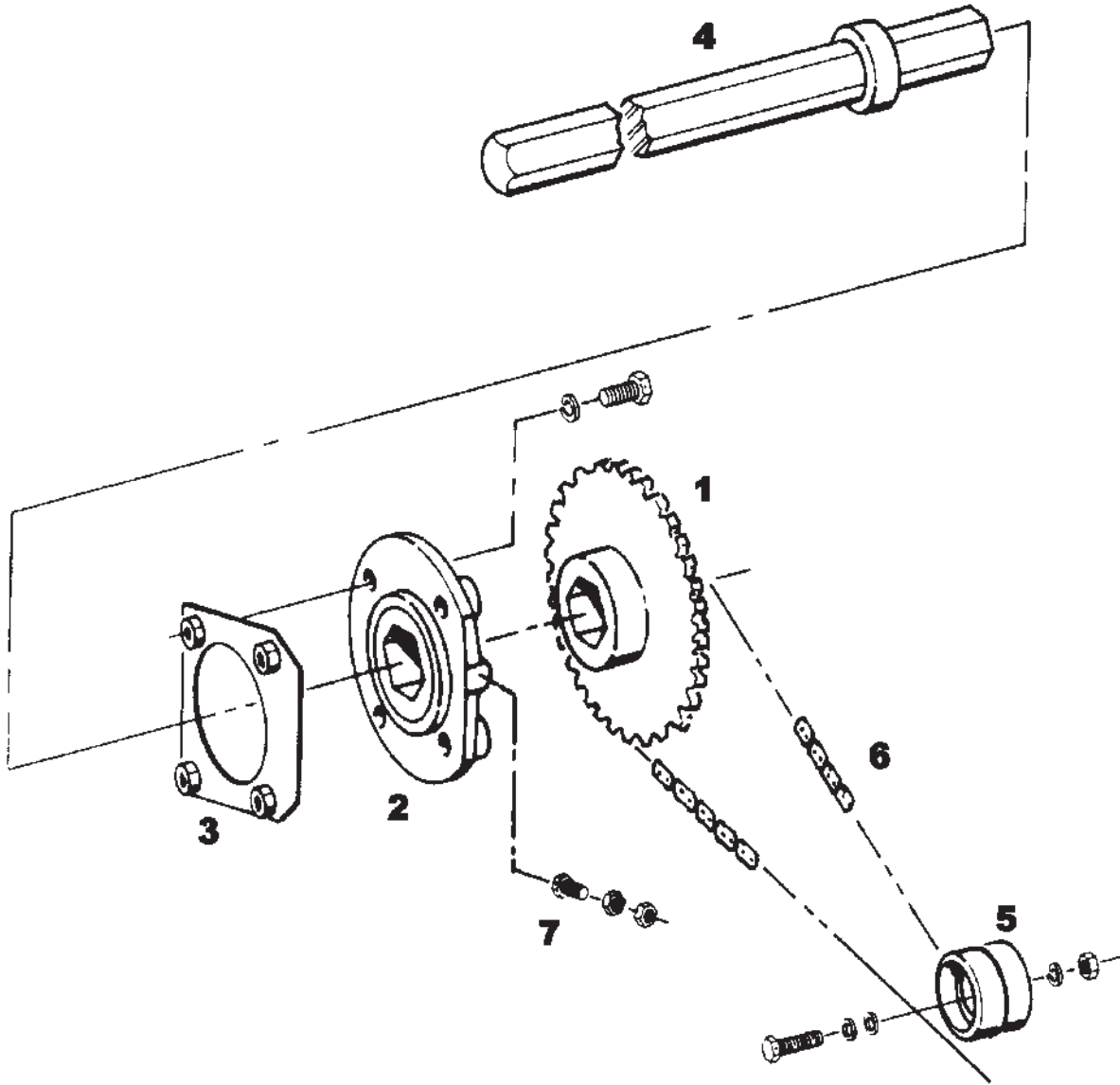
**UNIT DRIVE
LEFT HAND
ALL MODELS**

ITEM	NUMBER	QTY	DESCRIPTION	
1	71358098	1	SPROCKET ASY., UNIT DRIVE (27T)	
	353609X1	1	CAPSCREW, 5/8NF X 1-1/4	
	70917373	AR	WASHER, LOCK, 5/8	
	70921345	2	WASHER, 41/64 X 1-3/4 X 7GA.	
2	71359104	AR	HOUSING ASY., BRG.	
	71505895	AR	BEARING	
	70920415	AR	CAPSCREW, 3/8NC X 1-1/4	
	70916965	AR	WASHER, LOCK, 3/8	
	70931556	AR	CAPSCREW, 1/2 X 2-1/2	
	70913744	AR	NUT, JAM, 1/2	
	700704010	AR	SEALANT	
3	71356310	AR	ANCHOR ASY., BRG. HSG.	
4	71358355	1	SHAFT ASY. (630)	
	71394598	1	SHAFT ASY. (636)	
	71358352	1	SHAFT ASY. (830)	
	71358349	1	SHAFT ASY. (836 & 838)	
	71358351	1	SHAFT ASY. (1220)	
	71383516	1	SHAFT ASY. (1222)	
	71358355	1	SHAFT ASY. (1230)	
5	79008328	1	IDLER, ROLLER	
	70927493	1	BOLT, CGE., 1/2NC X 2-1/2	
	70923858	AR	WASHER, 17/32 X 1-1/4 X 7GA.	
	Y705046	1	WASHER, LOCK, 1/2	
	704031	1	NUT, 1/2NC	
6	-----	--	CHAIN, UNIT DRIVE, #60-SINGLE STRAND (USE 99 LINKS OF BULK CHAIN W/1 OFFSET AND 1 CONNECTOR	
	70921050	AR	CHAIN, BULK, 3/4 PITCH (10 FT.)	
	70926364	AR	CHAIN, BULK, 3/4 PITCH (50 FT.)	
	70916790	AR	LINK, OFFSET	
	70914584	AR	LINK, CONNECTOR	
	70917009	AR	LINK, ROLLER	
	7	70931556	AR	CAPSCREW, 1/2NC X 2-1/2
		70913744	AR	NUT, JAM, 1/2NC

GCH0005A

CH CORN HEAD
DRIVES

UNIT DRIVE
RIGHT HAND
8 THRU 12 ROW UNITS



**CH CORN HEAD
DRIVES**

47

**UNIT DRIVE
RIGHT HAND
8 THRU 12 ROW UNITS**

ITEM	NUMBER	QTY	DESCRIPTION
1	71358098	1	SPROCKET ASY., UNIT DRIVE (27T)
	353609X1	1	CAPSCREW, 5/8NF X 1-1/4
	70917373	1	WASHER, LOCK, 5/8
	70921345	1	WASHER, 41/64 X 1-3/4 X 7GA.
2	71359104	1	HOUSING ASY., BRG.
	71505895	1	BEARING
	70920415	4	CAPSCREW, 3/8NC X 1-1/4
	70916965	4	WASHER, LOCK, 3/8
	70931556	1	CAPSCREW, 1/2 X 2-1/2
	70913744	1	NUT, JAM, 1/2
	700704010	AR	SEALANT
3	71356310	1	ANCHOR ASY., BRG. HSG.
4	71358352	1	SHAFT ASY. (830)
	71358349	1	SHAFT ASY. (836 & 838)
	71358351	1	SHAFT ASY. (1220) (W/O ADJ. STRIPPER)
	71403756	1	SHAFT ASY. (1220) (W/ADJ. STRIPPER)
	71383516	1	SHAFT ASY. (1222) (W/O ADJ. STRIPPER)
	71403763	1	SHAFT ASY. (1222) (W/ADJ. STRIPPER)
	71358355	1	SHAFT ASY. (1230)
5	79008328	1	IDLER, ROLLER
	70927493	1	BOLT, CGE., 1/2NC X 2-1/2
	70923858	AR	WASHER, 17/32 X 1-1/4 X 7GA.
	Y705046	1	WASHER, LOCK, 1/2
	704031	1	NUT, 1/2NC
6	-----	--	CHAIN, UNIT DRIVE, #60-SINGLE STRAND (USE 99 LINKS OF BULK CHAIN WITH 1 OFFSET AND 1 CONNECTOR)
	70921050	AR	CHAIN, BULK, 3/4 PITCH (10 FT.)
	70926364	AR	CHAIN, BULK, 3/4 PITCH (50 FT.)
	70916790	AR	LINK, OFFSET
	70914584	AR	LINK, CONNECTOR
	70917009	AR	LINK, ROLLER
	70931556	1	CAPSCREW, 1/2NC X 2-1/2
70913744	2	NUT, JAM, 1/2NC	

GCH0006A

PERFORMANCE PACKAGES
SPROCKET KITS
MAIN AND CONVEYOR DRIVES

**ILLUSTRATION NOT
AVAILABLE**

XXXXXXXXXX

**CH CORN HEAD
DRIVES**

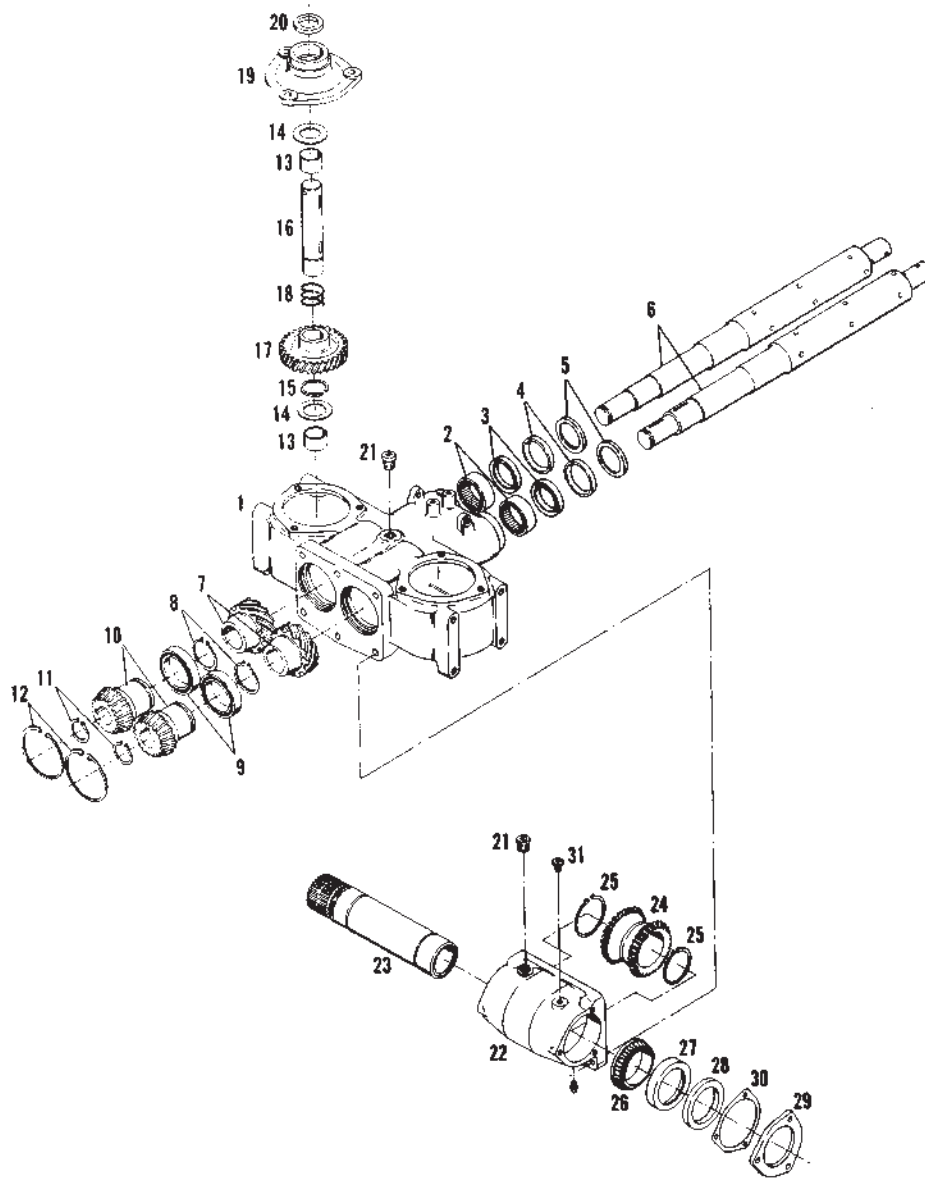
**PERFORMANCE PACKAGES
SPROCKET KITS
MAIN AND CONVEYOR DRIVES**

ITEM	NUMBER	QTY	DESCRIPTION
-	71358096	AR	PKG., MAIN DRIVE REDUCTION (16 TOOTH) 10% SPEED REDUCTION ON 2003 HEADS 33% SPEED REDUCTION ON 2004 HEADS
-	71372424	AR	PKG., MAIN DRIVE REDUCTION (13 TOOTH) 27% SPEED REDUCTION ON 2003 HEADS 54% SPEED REDUCTION ON 2004 HEADS
-	71358097	AR	PKG., MAIN DRIVE REDUCTION (18 TOOTH) 25% SPEED REDUCTION ON 2004 HEADS
-	71400313	AR	PKG., MAIN DRIVE INCREASE (24 TOOTH) 33% SPEED INCREASE ON 2003 HEADS
-	71359660	AR	PKG., CONVEYOR DRIVE INCREASE (16 TOOTH) 33% SPEED INCREASE ON 2003 HEADS

XXXXXXXX

CH CORN HEAD
DRIVES

GEARBOX
COMPONENTS



71359023

**CH CORN HEAD
DRIVES**

51

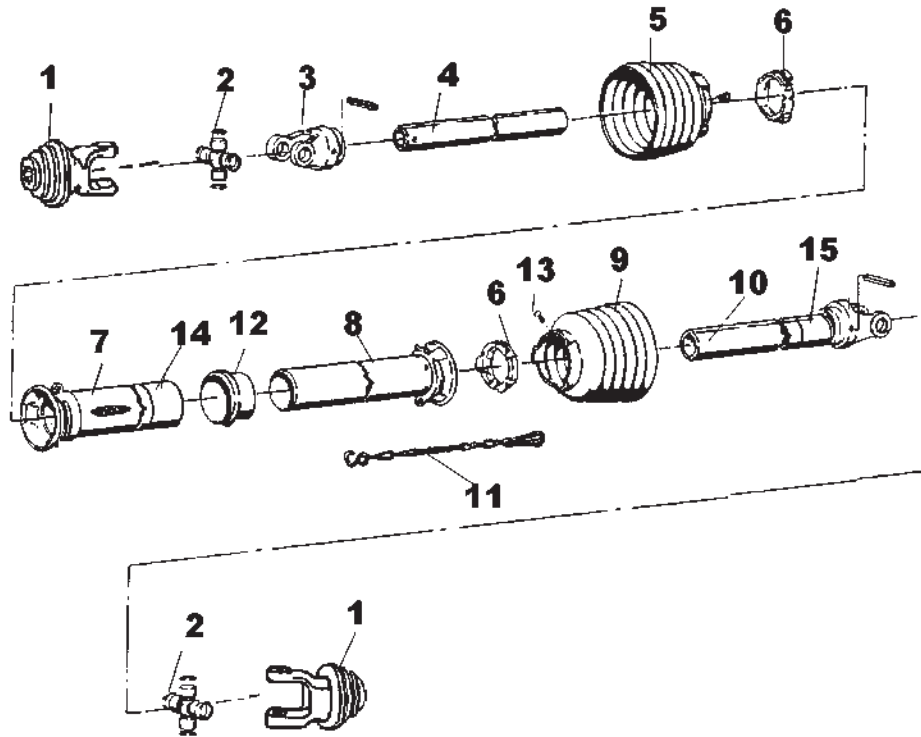
**GEARBOX
COMPONENTS**

ITEM	NUMBER	QTY	DESCRIPTION
1	060585P1	1	HOUSING, OUTPUT
2	71189834	2	BEARING, NEEDLE
3	70937160	2	SEAL, GREASE
4	71353830	2	SEAL, DUST
5	71358788	2	GUARD, SEAL
6	71353828	2	SHAFT, SNAPPING ROLL
7	060588P1	1	GEAR, WORM, 11T, R.H. (L.H. HELIX)
	060589P1	1	GEAR, WORM, 11T, L.H. (R.H. HELIX)
	70911273	2	KEY, WOODRUFF, #127, HARDENED
8	355919X1	2	RING, RETAINING, EXTERNAL
9	71344589	2	BEARING, BALL, W/RING
10	-----	2	PINION, DRIVEN, 20T (ORDER ITEM 32)
	70911273	2	KEY, WOODRUFF, #127, HARDENED
11	70928720	2	RING, RETAINING, H.D., EXTERNAL
12	355992X1	2	RING, RETAINING, INTERNAL
13	71358777	4	BUSHING
14	71344020	4	WASHER, THRUST
15	70927738	2	RING, RETAINING, EXTERNAL
16	71344581	2	SHAFT, GATHER
17	060587P1	1	WORMGEAR, 32T, R.H.
	060586P1	1	WORMGEAR, 32T, L.H.
	29780X	2	KEY, WOODRUFF #15, HARDENED
18	71353838	1	SPRING, L.H. SHAFT, W/R.H. SPIRAL
	71353839	1	SPRING, R.H. SHAFT, W/L.H. SPIRAL
19	063462P1	2	COVER, GATHER SHAFT
	70921332	6	CAPSCREW, .312-18 X .75
20	71344592	2	SEAL, GREASE
21	3008469	2	PLUG, .75 PIPE
22	71358791	1	HOUSING, INPUT
	70923490	AR	CAPSCREW, .375-16 X 1 GR8
	70914465	1	FITTING, LUBE, 1/8-27 NPT
23	71358795	1	SHAFT, INPUT
24	-----	1	GEAR, DRIVER, DOUBLE,30T (ORDER ITEM 32)
	70937497	1	KEY, WOODRUFF, #129, HARDENED
25	70937501	2	RING, RETAINING, H.D.
26	70929742	2	BEARING, CONE
27	70932928	2	BEARING, CUP
28	71359538	2	SEAL, GREASE
29	71358792	2	CAP, BEARING
	71360611	AR	SHIM, BEARING CAP
	70921332	6	CAPSCREW, .312-18 X .75
30	71359001	AR	SHIM, .005 (USED ON L.H. SIDE OF R.H. GEARBOX & R.H. SIDE OF L.H. GEARBOX)
31	70916619	1	FITTING, RELIEF (1-5 PSI)
32	71360245	1	GEAR SET (INCL ITEMS 10 & 24)(NOT SHOWN)
-	79014731	AR	GREASE, 5 GAL. (35 LB.)
-	79014732	AR	GREASE, 14 OZ. TUBE
-	70937503	AR	SEALANT, GASKET ELIMINATOR, #504

71359023

CH CORN HEAD
DRIVES

DRIVESHAFT-PTO
LH
COMPONENTS W/O SLIPCLUTCH



71389341

**CH CORN HEAD
DRIVES**

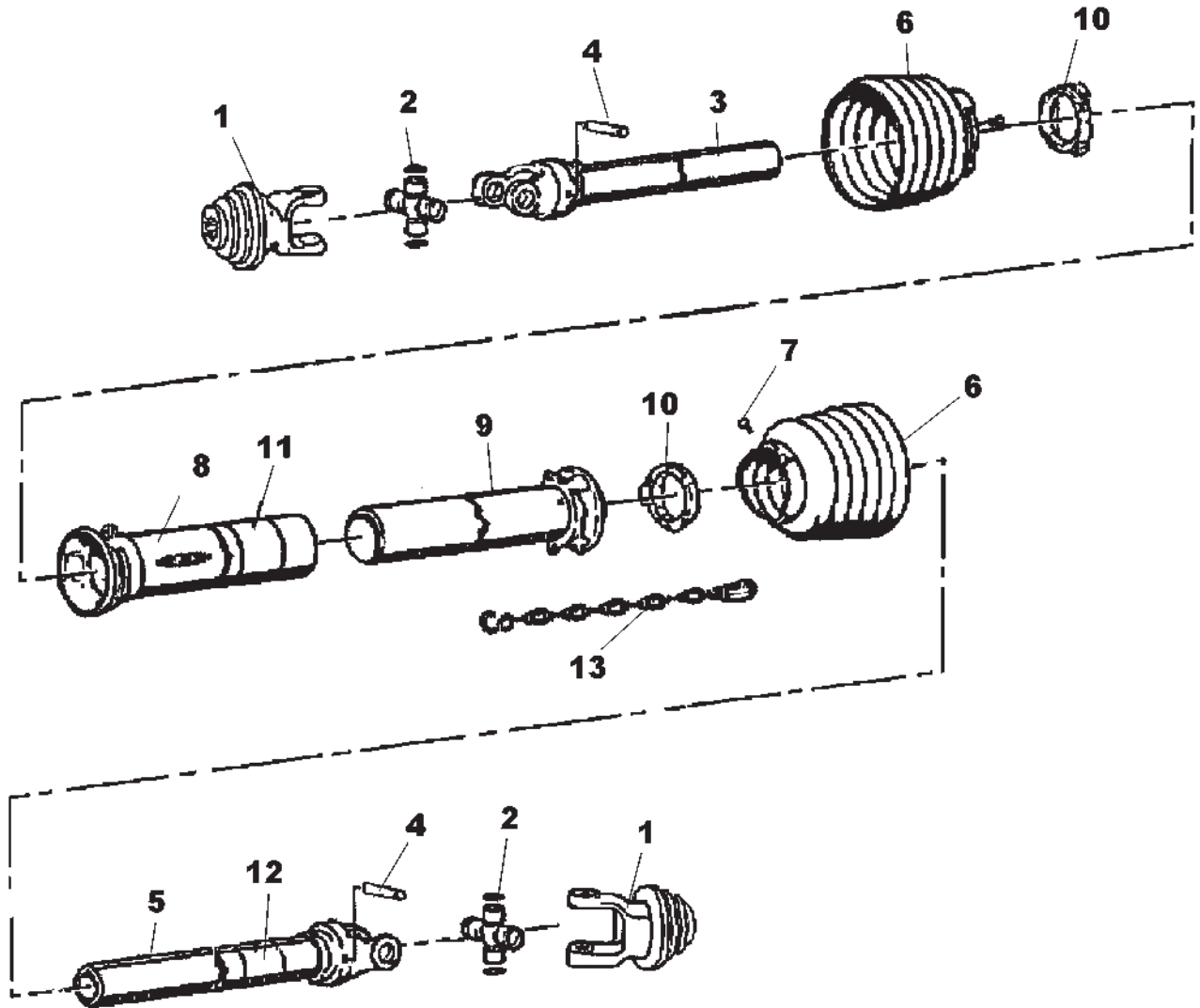
53

**DRIVESHAFT-PTO
LH
COMPONENTS W/O SLIPCLUTCH**

ITEM	NUMBER	QTY	DESCRIPTION
-	71389341	AR	SHAFT,DRIVE,PTO (6-12 ROW)
1	71374218	2	YOKE, PTO (W/SLIDE COLLAR)
	71374220	AR	KIT, SLIDE COLLAR
2	71358188	2	KIT, CROSS & BEARING
	1120697	AR	FITTING, LUBE
3	71383715	1	YOKE, INNER PROFILE, (INBOARD)
	71383717	1	PIN, SPRING, 8 X 65 MM
4	71383716	1	TUBE, INNER PROFILE(30MM X27-16 SPLINES)
5	71374219	1	SHIELD, CONE (7-RIB)
6	71359168	2	BEARING, RING (SHIELD)
7	71377860	1	SHIELD, TUBE (OUTER)
8	71383720	1	SHIELD, TUBE (INNER)
9	71374219	1	SHIELD, CONE (7-RIB)
10	71383718	1	TUBE & SLEEVE, PTO (INCLUDES YOKE)
	71383717	1	PIN, SPRING, 8 X 65 MM
11	71382485	1	CHAIN, SAFETY
12	700707550	1	SUPPORT, BEARING
13	1077994M1	2	SCREW
14	71359170	1	DECAL, DANGER (OUTER-SHIELD)
15	71383722	1	DECAL, DANGER (TUBE & SLEEVE W/YOKE)
11	71382485	1	CHAIN, SAFETY
12	71383714	1	BRACKET, STORAGE/PTO SHAFT (NOT ILLUS.)
-	71530217	AR	*KIT, (LH-PTO), (6-ROW THRU 12-ROW) (INCLUDES ITEM 12 BRACKET) *(ORDER THRU DEALER CENTRAL)

71389341

DRIVESHAFT-PTO
MAIN (RH)
COMPONENTS



**CH CORN HEAD
DRIVES**

55

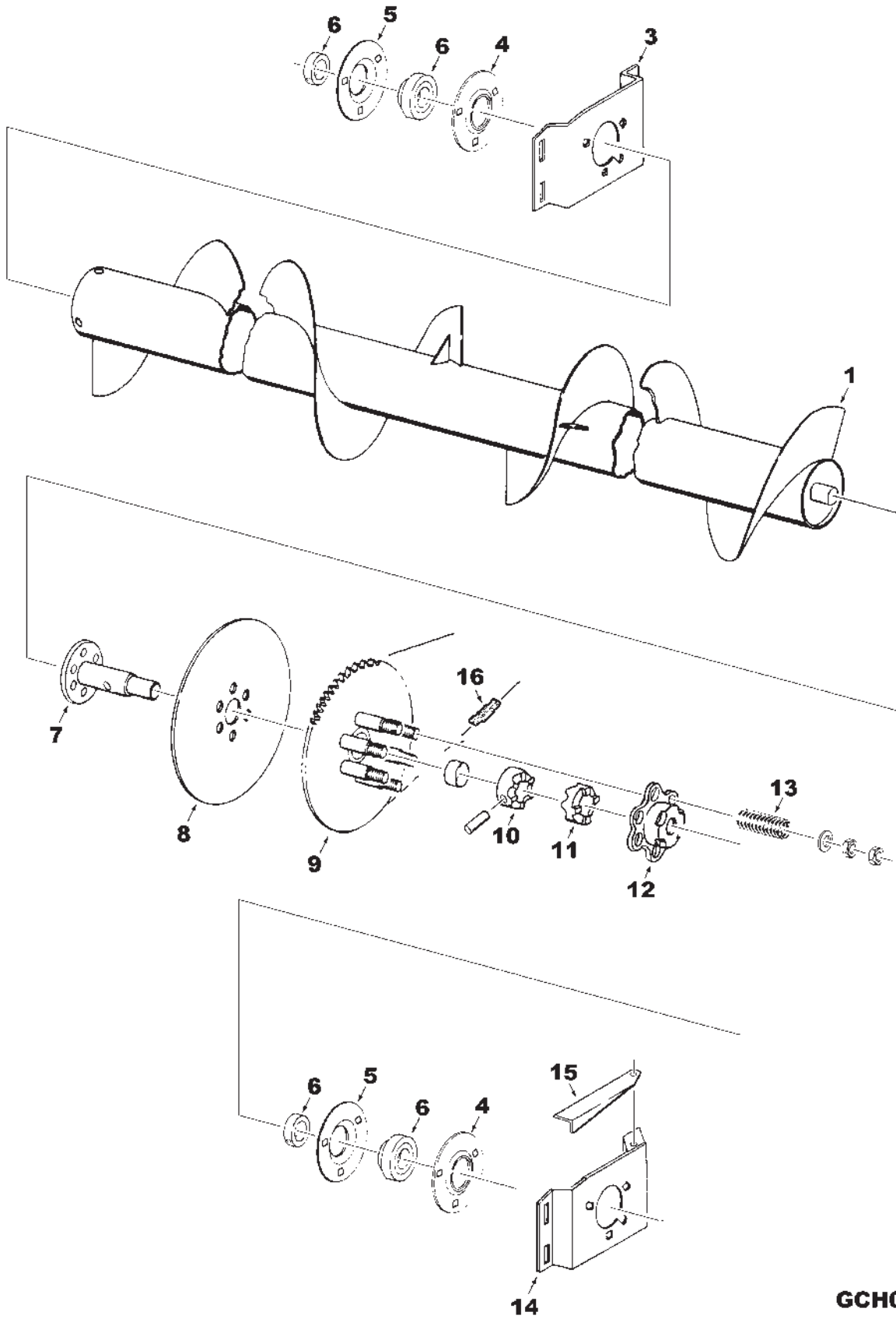
**DRIVESHAFT-PTO
MAIN (RH)
COMPONENTS**

ITEM	NUMBER	QTY	DESCRIPTION
-	71389340	1	SHAFT, DRIVE, PTO
1	71374218	2	YOKE, PTO (W/SLIDE COLLAR)
	71374220	AR	KIT, SLIDE COLLAR
2	71358188	2	KIT, CROSS & BEARING
	1120697	AR	FITTING, LUBE
3	71359162	1	PROFILE, INNER (W/YOKE)(34.5MM O.D.)
4	71359163	2	PIN, SPRING 10 X 65MM
5	71359161	1	PROFILE, OUTER (W/YOKE)(41MM O.D.)
6	71374219	2	SHIELD, CONE (7-RIB)
7	1077994M1	2	SCREW
8	71359165	1	SHIELD, TUBE (OUTER)
9	71359164	1	SHIELD, TUBE (INNER)
10	71359168	2	BEARING, RING (SHIELD)
11	71359170	1	DECAL, DANGER (OUTER-SHIELD)
12	71383722	1	DECAL, DANGER (OUTER-PROFILE)
13	71382485	1	CHAIN, SAFETY

71389340

CH CORN HEAD
CONVEYORS

SPIRAL CONVEYOR ASSEMBLY
ALL UNITS EXCEPT 1230



**CH CORN HEAD
CONVEYORS**

57

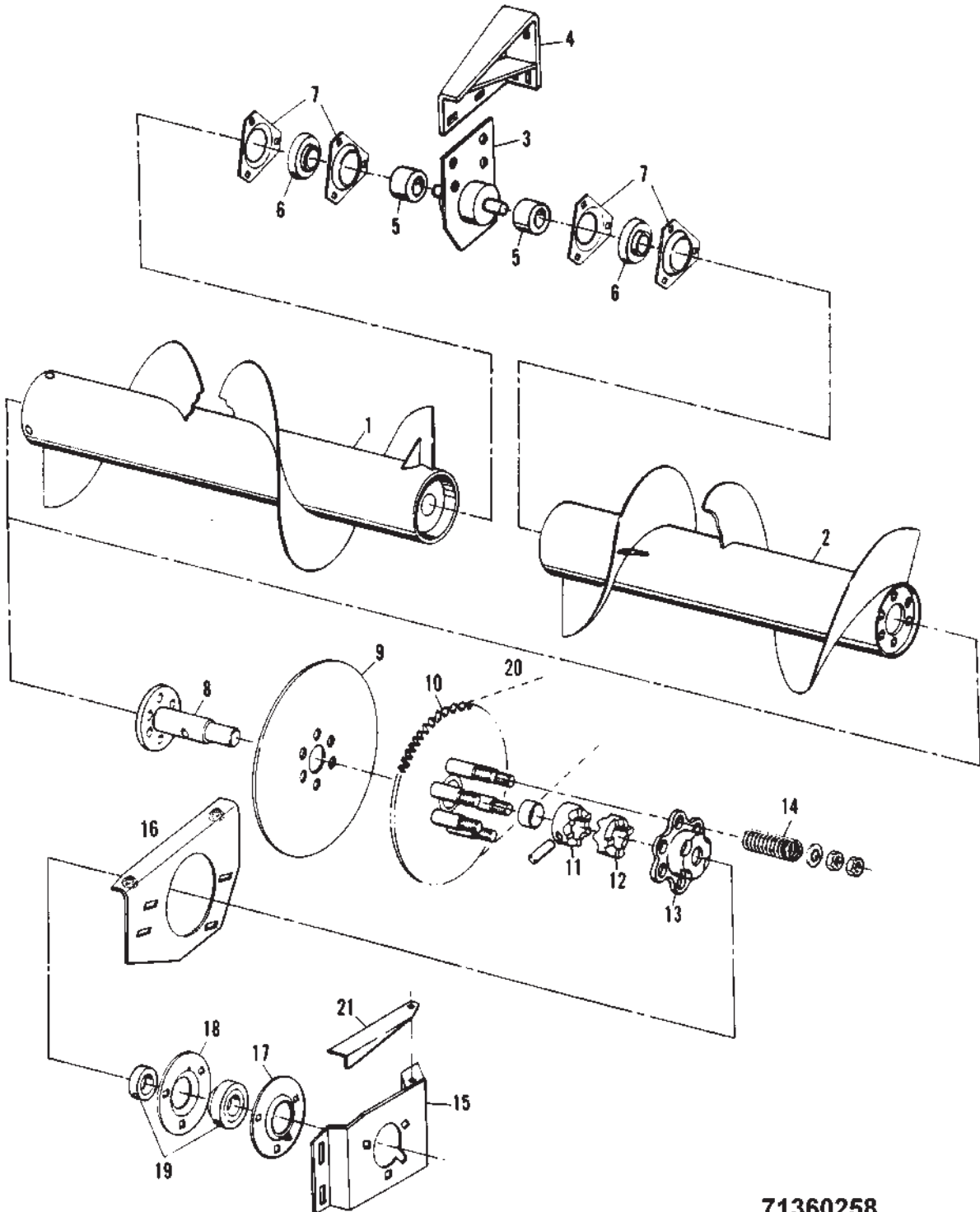
**SPIRAL CONVEYOR ASSEMBLY
ALL UNITS EXCEPT 1230**

ITEM	NUMBER	QTY	DESCRIPTION
1	71395436C	1	TUBE WLDMT., CONVEYOR (630)
	71395437C	1	TUBE WLDMT., CONVEYOR (636)
	71395438C	1	TUBE WELDMENT, CONVEYOR (830)
	71395439C	1	TUBE WELDMENT, CONVEYOR (836 & 838)
	71398593C	1	TUBE WELDMENT, CONVEYOR (1220)
3	71398590C	1	TUBE WELDMENT, CONVEYOR (1222)
	71360642	1	BRACKET, BEARING, R.H.
	70931809	4	BOLT, CGE., 1/2NC X 1-1/4
	70918431	4	WASHER, 1/2
4	70931187	4	NUT, SERR. FLG., 1/2NC
	70593180	2	FLANGE, BEARING, RELUBE (WITH FITTING)
	70915538	2	FITTING, LUBE
5	70593181	2	FLANGE, BEARING, RELUBE (W/O FITTING)
	70921210	6	BOLT, CGE., 3/8NC X 1
	70931211	6	NUT, SERR. FLG., 3/8NC
6	70590712	2	BEARING, 1-1/4 I.D. (RELUBE-W/COLLAR)
	7710551	2	COLLAR, BRG. (INCL. SETSCREW)
	70911712	2	SETSCREW, SCKT. HD., 5/16NC X 5/16
7	71349109	1	SHAFT ASY., CONV., L.H.
8	71349114	1	SHIELD, SPRKT.
	70921210	6	CAPSCREW, 3/8NC X 1
	70916965	6	WASHER, LOCK, 3/8
9	71358003	1	SPROCKET ASY., 64T (INCL. BUSHING)
	70590594	1	BUSHING
10	70588775	1	JAW, CLUTCH (W/HOLE)-DRIVER
	70542402	1	PIN, CLUTCH
11	70588776	1	JAW, CLUTCH (W/O HOLE)-DRIVEN
12	71349113	1	CAP, PRESSURE
13	71506606	AR	SPRING, CLUTCH (6 REQ'D FOR 6, 8, & 12 ROW)
	70918431	AR	WASHER, PLAIN, 1/2
	704031	AR	NUT, 1/2NC
	70913744	AR	NUT, JAM, 1/2NC
	71360641	1	BRACKET ASY., BRG., L.H.
14	70931809	4	BOLT, CGE., 1/2NC X 1-1/4
	70918431	4	WASHER, 1/2
	70931187	4	NUT, SERR. FLG., 1/2NC
15	71353505	1	SHIELD, CLUTCH L.H.
	71360253	1	SHIELD, CLUTCH R.H.
16	70924856	2	SCREW, TAPPING, 5/16NC X 1/2
	-----	--	CHAIN, CONV. DRIVE, #60-SINGLE STRAND (USE 107 LINKS OF BULK CHAIN WITH 1 OFFSET AND 1 CONNECTOR)
	70921050	AR	CHAIN, BULK, 3/4 PITCH (10 FT.)
	70926364	AR	CHAIN, BULK, 3/4 PITCH (50 FT.)
	70916790	AR	LINK, OFFSET
	70914584	AR	LINK, CONNECTOR
	70917009	AR	LINK, ROLLER

GCH0016

CH CORN HEAD
CONVEYORS

CONVEYOR
1230



71360258

**CH CORN HEAD
CONVEYORS**

59

**CONVEYOR
1230**

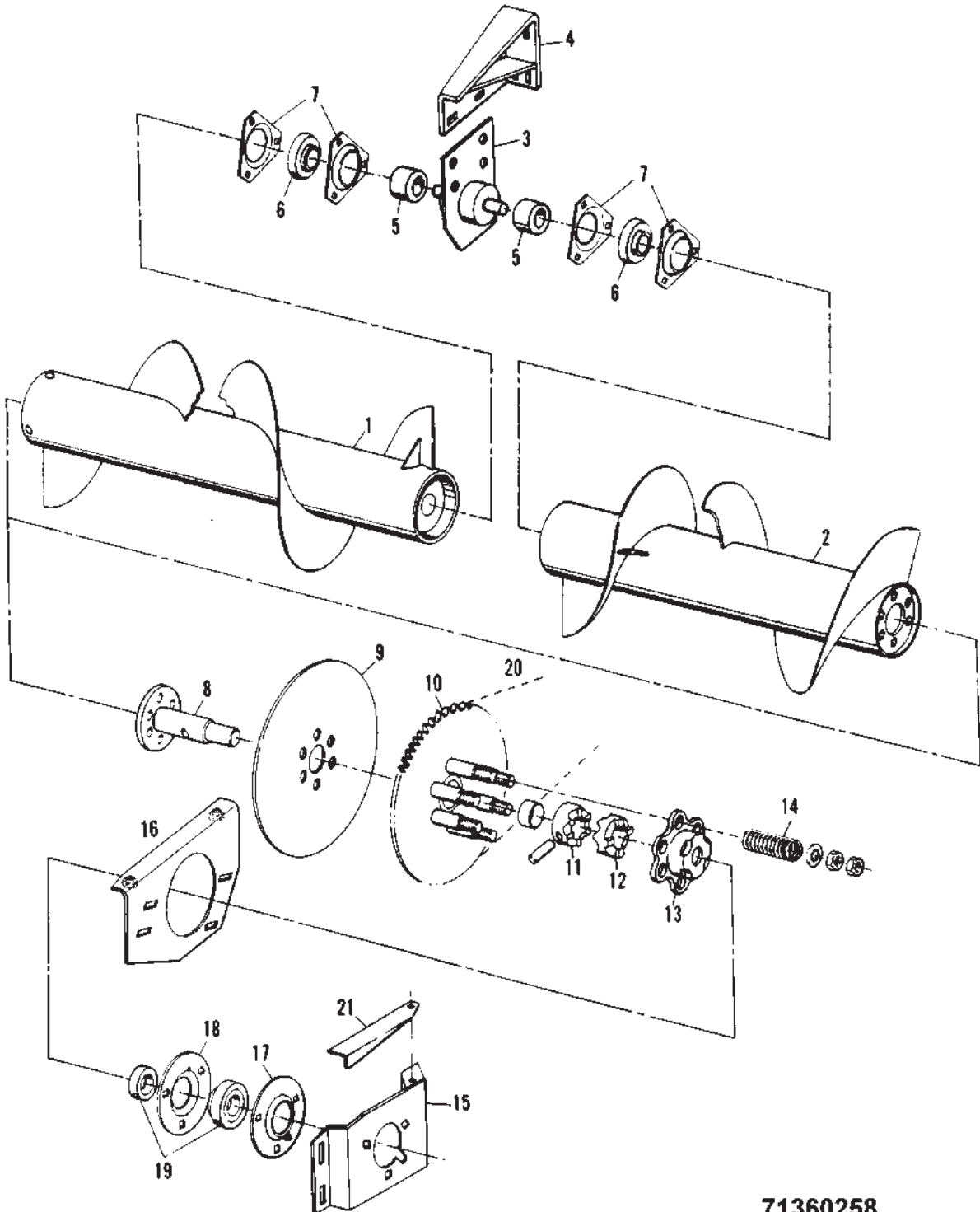
ITEM	NUMBER	QTY	DESCRIPTION
1	71395441C	1	TUBE ASY., CONVEYOR, R.H.
2	71395440C	1	TUBE ASY., CONVEYOR, L.H.
3	71360229	1	CONVEYOR SUPT., LOWER
	70931363	4	BOLT, CGE., 1/2 NC X 1
	70931187	4	NUT, SERR. FLG., 1/2NC
4	71360233	1	CONVEYOR SUPT., UPPER
	70934980	4	CAPSCREW, SERR. FLG., 1/2NC X 1-1/4
5	71360630	2	SPACER
6	71197194	2	BEARING
7	71192243	4	FLANGE, BEARING
	70921210	6	CAPSCREW, 3/8NC X 1
	70919312	6	WASHER, LOCK, 3/8
8	71349109	2	SHAFT ASY., CONV.
9	71349114	2	SHIELD, SPRKT.
	70921210	12	CAPSCREW, 3/8NC X 1
	70919312	12	WASHER, LOCK, 3/8
10	71358003	2	SPROCKET ASY., 64T (INCL. BUSHING)
	70590594	2	BUSHING
11	70588775	2	JAW, CLUTCH (W/HOLE)-DRIVER
	70542402	2	PIN, CLUTCH
12	70588776	2	JAW, CLUTCH (W/O HOLE)-DRIVEN
13	71349113	2	CAP, PRESSURE
14	71506606	12	SPRING, CLUTCH
	70918431	12	WASHER, PLAIN, 1/2
	704031	12	NUT, 1/2NC
	70913744	12	NUT, JAM, 1/2NC
15	71360641	1	BRACKET, ASY., BRG., L.H.
	70931809	4	BOLT, CGE., 1/2NC X 1-1/4
	70918431	4	WASHER, 1/2
	70931187	4	NUT, SERR., 1/2NC
	71360256	1	BRACKET, ASY., BRG., R.H.
	70931809	4	BOLT, CGE., 1/2NC X 1-1/4
	70918431	4	WASHER, 1/2
	70931187	4	NUT, SERR., 1/2NC
16	71360282	1	REINFORCEMENT, WLMT. L.H.
	70933260	2	CAPSCREW, SERR. FLG., 3/8-16 X 3/4
	71360283	1	REINFORCEMENT, WLMT R.H.
	70933260	2	CAPSCREW, SERR. FLG., 3/8-16 X 3/4
17	70593180	2	FLANGE, BEARING RELUBE (WITH FITTING)
	70915538	2	FITTING, LUBE
18	70593181	2	FLANGE, BEARING (W/O FITTING)
	70931350	6	BOLT, CGE., 3/8NC X 1
	70931211	6	NUT, SERR. FLG., 3/8NC

CONTINUED

71360258

CH CORN HEAD
CONVEYORS

CONVEYOR
1230



71360258

**CH CORN HEAD
CONVEYORS**

61

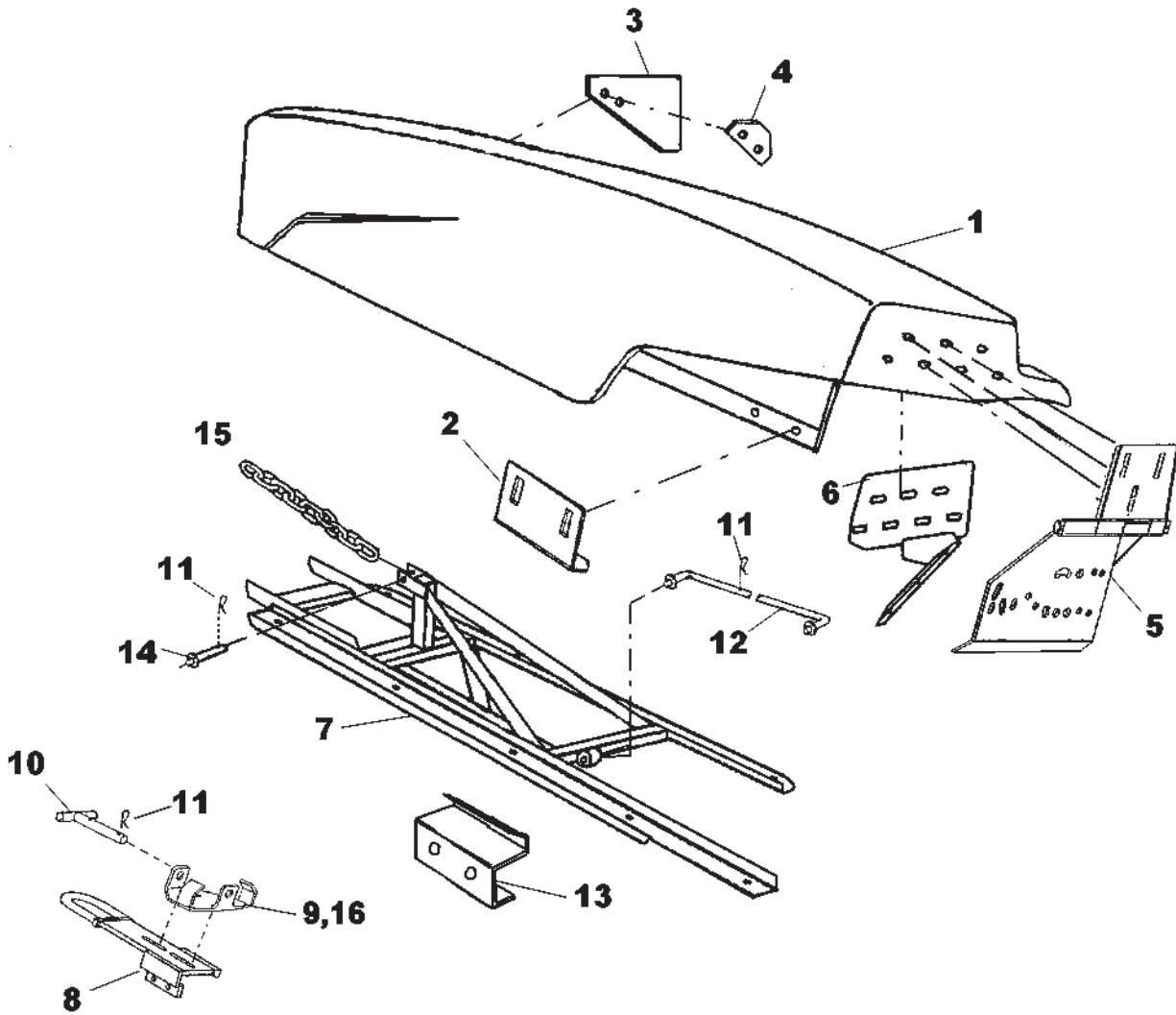
**CONVEYOR
1230**

ITEM	NUMBER	QTY	DESCRIPTION	
19	70590712	2	BEARING, 1-1/4 I.D. W/COLLAR (RELUBE)	
	10189	2	COLLAR, BRG. (INCL. SETSCREW)	
20	70911712	2	SETSCREW, SCKT. HD., 5/16NC X 5/16	
	-----	--	CHAIN, CONV. DRIVE, #60-SINGLE STRAND (USE 107 LINKS OF BULK CHAIN WITH 1 OFFSET & 1 CONNECTOR)	
	70921050	AR	CHAIN, BULK, 3/4 PITCH (10 FT.)	
	70926364	AR	CHAIN, BULK, 3/4 PITCH (50 FT.)	
	70916790	AR	LINK, OFFSET	
	70914584	AR	LINK, CONNECTOR	
	70917009	AR	LINK, ROLLER	
	21	71353505	1	SHIELD, CLUTCH, L.H.
		71360253	1	SHIELD, CLUTCH, R.H.
		70924856	2	SCREW, SELF TAPPING, 3/8 X 1

71360258

CH CORN HEAD
GATHERING

FENDER ASSEMBLY
OUTER GATHER UNITS
30" & 36"/38"



LEFT SIDE SHOWN

**CH CORN HEAD
GATHERING**

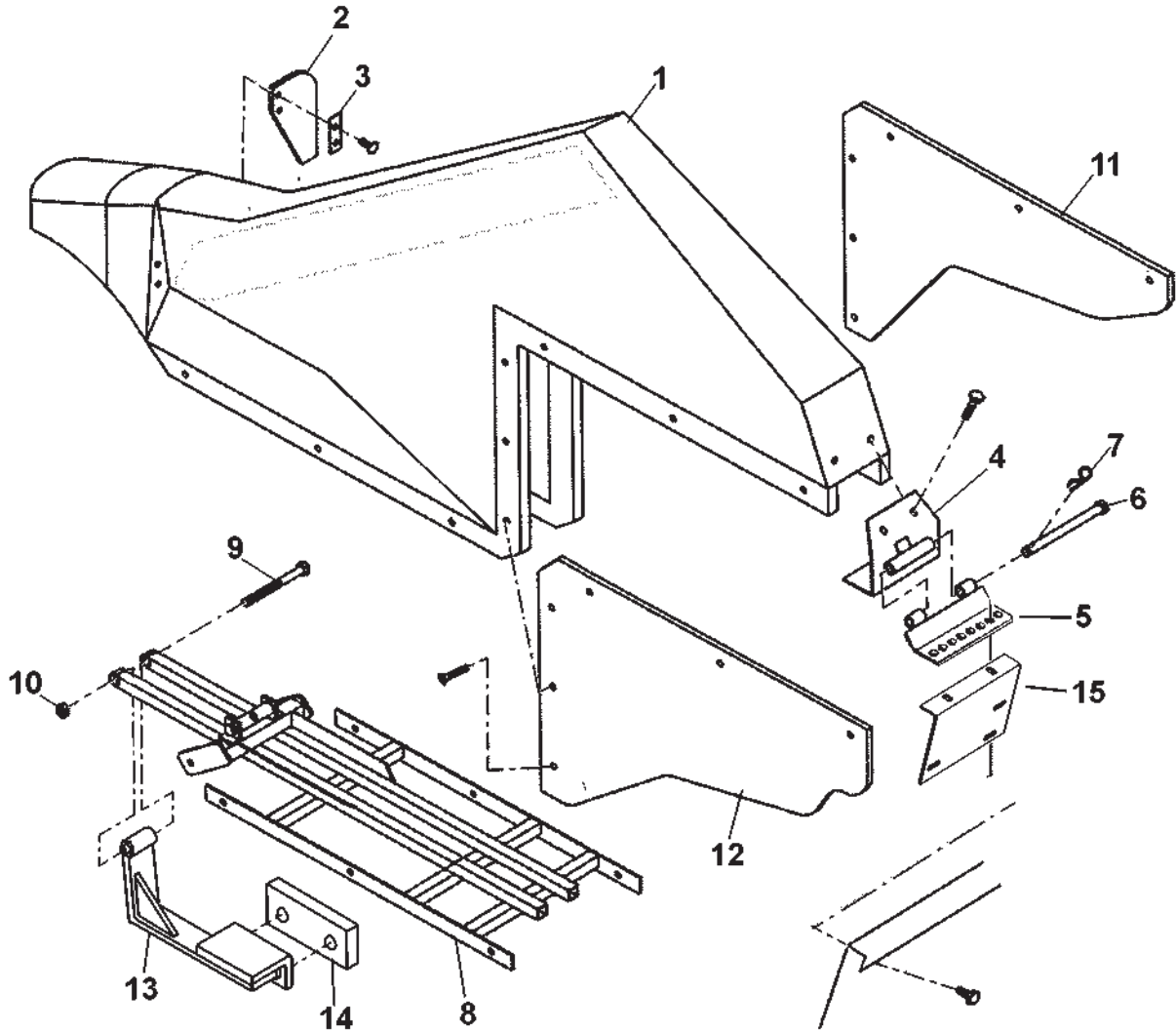
63

**FENDER ASSEMBLY
OUTER GATHER UNITS
30" & 36"/38"**

ITEM	NUMBER	QTY	DESCRIPTION
-	700721301	AR	FENDER ASY. (LH)
-	700721302	AR	FENDER ASY. (RH)
1	700721391	1	FENDER (LH-W/GRAPHICS-DECAL)
	700721392	1	FENDER (RH-W/GRAPHICS-DECAL)
	-----	--	CHALLENGER GRAPHICS/DECAL (NOT SERV.)
	71335690	16	SCREW, TORX/HEAD, 5/16 X 1-1/4
	70917642	16	WASHER, FLAT, 5/16
	70931277	16	NUT, SER/FLG., 5/16
2	71389587	2	DEFLECTOR, EAR
	71335690	AR	SCREW, TORX/HEAD, 5/16 X 1-1/4
	70917642	AR	WASHER, FLAT, 5/16
	70931277	AR	NUT, SER/FLG., 5/16
3	71350426	2	DEFLECTOR, EAR (RUBBER)
4	71389486	2	REINFORCEMENT, DEFLECTOR, EAR
	70925205	4	CAPSCREW, HEX, 5/16-18 X 5/8
	700709141	4	WASHER, LOCK, INT. TOOTH, 5/16
5	71389557	1	HINGE ASY. (LH-REAR)
	71389558	1	HINGE ASY. (RH-REAR)
	70931348	AR	BOLT, CARRIAGE, RHSN, 3/8-16 X 3/4
	70918266	AR	WASHER, FLAT, 3/8 SAE
	70931211	AR	NUT, SER/FLG., 3/8-16
	70921333	AR	CAPSCREW, HEX, 5/16-18 X 1.00
	70917642	AR	WASHER, FLAT, 5/16 SAE
	71390058	AR	NUT, WHIZ. 5/16-18
	70921176	AR	CAPSCREW, HEX, 1/2-13 X 1-1/4
	70931187	AR	NUT, WHIZ. 1/2-13
6	71389935	1	FRAME, WELDMENT (LH-REAR)
	71389934	1	FRAME, WELDMENT (RH-REAR)
	70921210	AR	CAPSCREW, 3/8-16 X 1.0
	70917378	AR	WASHER, FLAT, 5/16 USS(PLASTIC SIDE)
	70931211	AR	NUT, SER/FLG., 3/8-16
7	71389937	1	FRAME, WELDMENT (LH-FRONT)
	71389936	1	FRAME, WELDMENT (RH-FRONT)
8	71396633	1	BRACKET, MOUNTING (LH)
	71396827	1	BRACKET, MOUNTING (RH)
	700710984	8	CAPSCREW, 1/2-13 X 1-1/4
9	71389928	2	PLATE, ADJUSTER (ALSO SEE ITEM 16)
	700710984	4	CAPSCREW, 1/2-13 X 1-1/4
	Y704742	4	LOCKNUT, FLG/HEAD, 1/2-13
10	71389929	2	PIN, LATCH
11	70936348	AR	PIN, QUICK, 1/4
12	71390641	1	ROD, PROP (LH)
	71389938	1	ROD, PROP (RH)
	70918454	2	PIN, COTTER, 1/4 X 1-1/2
13	71396838	2	BRACKET, MID-MOUNT
	7883382	4	SCREW, HX WSHR HD MACH 3/8-16 X 1
	Y704734	4	LOCKNUT, HX FLNG 3/8-16
14	71391977	2	PIN, CHAIN
15	71389939	2	CHAIN (22-LINKS/PLATED)
16	71396826	2	LATCH ASY., FENDER (INCLS ITEMS 9-11)

GCH0023

FENDER ASSEMBLY
OUTER GATHER UNITS
20"/22"



LEFT SIDE SHOWN

**CH CORN HEAD
GATHERING**

65

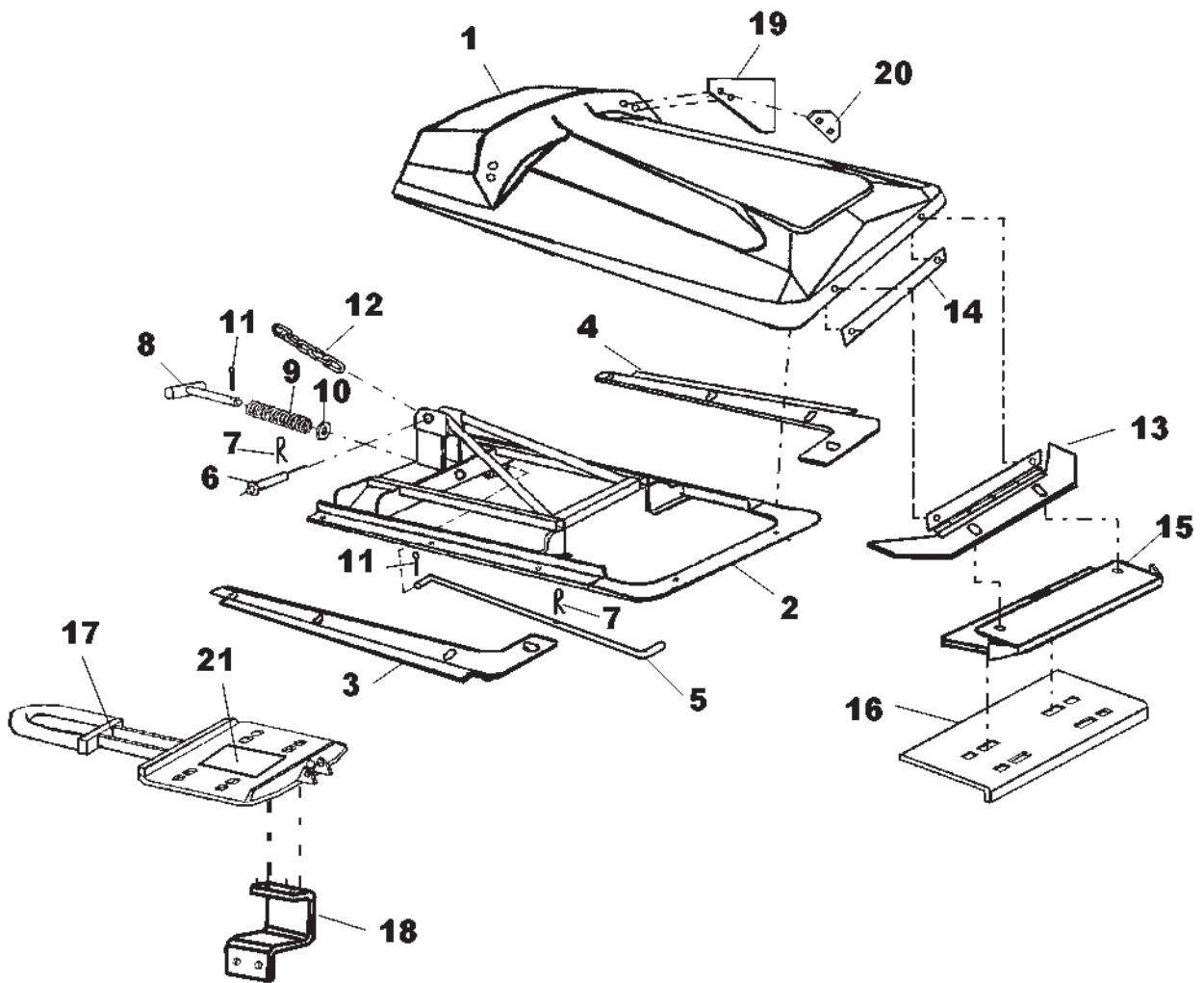
**FENDER ASSEMBLY
OUTER GATHER UNITS
20"/22"**

ITEM	NUMBER	QTY	DESCRIPTION
-	700722216	AR	FENDER ASY. (LH)
-	700722218	AR	FENDER ASY. (RH)
1	71399878	AR	FENDER (LH & RH)
	70925960	AR	SCREW, TRUSS/HEAD, 5/16 X 1-1/2
	70917642	AR	WASHER, FLAT, 5/16
	70931277	AR	NUT, SER/FLG., 5/16
2	71390646	2	SAVER, EAR (RUBBER)
3	71390973	2	RETAINER (EAR-SAVER)
	70921332	4	CAPSCREW, HEX, 5/16-18 X 3/4
	70923300	4	WASHER, LOCK, INT. TOOTH, 5/16
4	71390963	2	HINGE, REAR
	71335690	AR	SCREW, TORX/HEAD, 5/16 X 7/8
	70917642	AR	WASHER, FLAT, 5/16
	70931277	AR	NUT, SER/FLG., 5/16
5	71390964	2	HINGE, FRAME, (ADJUSTABLE)
	70921332	4	CAPSCREW, HEX, 5/16-18 X 3/4
	70931277	4	NUT, SER/FLG., 5/16
6	71390962	2	PIN, HINGE
7	98-2107	2	PIN, QUICK, 5/8-3/4
8	71391279	1	FRAME, WELDMENT (LH-FENDER)
	71391278	1	FRAME, WELDMENT (RH-FENDER)
9	70926113	2	CAPSCREW, HEX, 7/16-14 X 4-1/2
10	70924058	2	NUT, CENTER-LOCK, 7/16-14
11	71390966	1	SHIELD (INSIDE-POLY)
	70925960	AR	SCREW, TRUSS/HEAD, 5/16 X 1-1/2
	70917642	AR	WASHER, FLAT, 5/16
	70931277	AR	NUT, SER/FLG., 5/16
12	71390965	1	SHIELD (OUTSIDE-POLY)
	70925960	AR	SCREW, TORX/HEAD, 5/16 X 1-1/2
	70917642	AR	WASHER, FLAT, 5/16
	70931277	AR	NUT, SER/FLG., 5/16
13	71390951	1	BRACKET, WELDMENT (LH-FENDER/MTG.)
	71390952	1	BRACKET, WELDMENT (RH-FENDER/MTG.)
	70921176	AR	CAPSCREW, 1/2-13 X 1-1/4 (20"/MTG.)
	Y705046	AR	WASHER, LOCK, 1/2
14	-----	--	SPACER, BRACKET (22"-FENDER/MTG. ONLY) (ONLY AVAILABLE WITH ITEM 13)
	70919089	4	CAPSCREW, 1/2-13 X 1-3/4 (22"/W/SPACER)
	Y705046	4	WASHER, LOCK, 1/2
15	700722818	AR	ANGLE, FENDER HINGE (LH)
	700722817	AR	ANGLE, FENDER HINGE (RH)

GCH0026

CH CORN HEAD
GATHERING

GATHERING UNITS
INNER
30" & 36"/38"



71389555

**CH CORN HEAD
GATHERING**

67

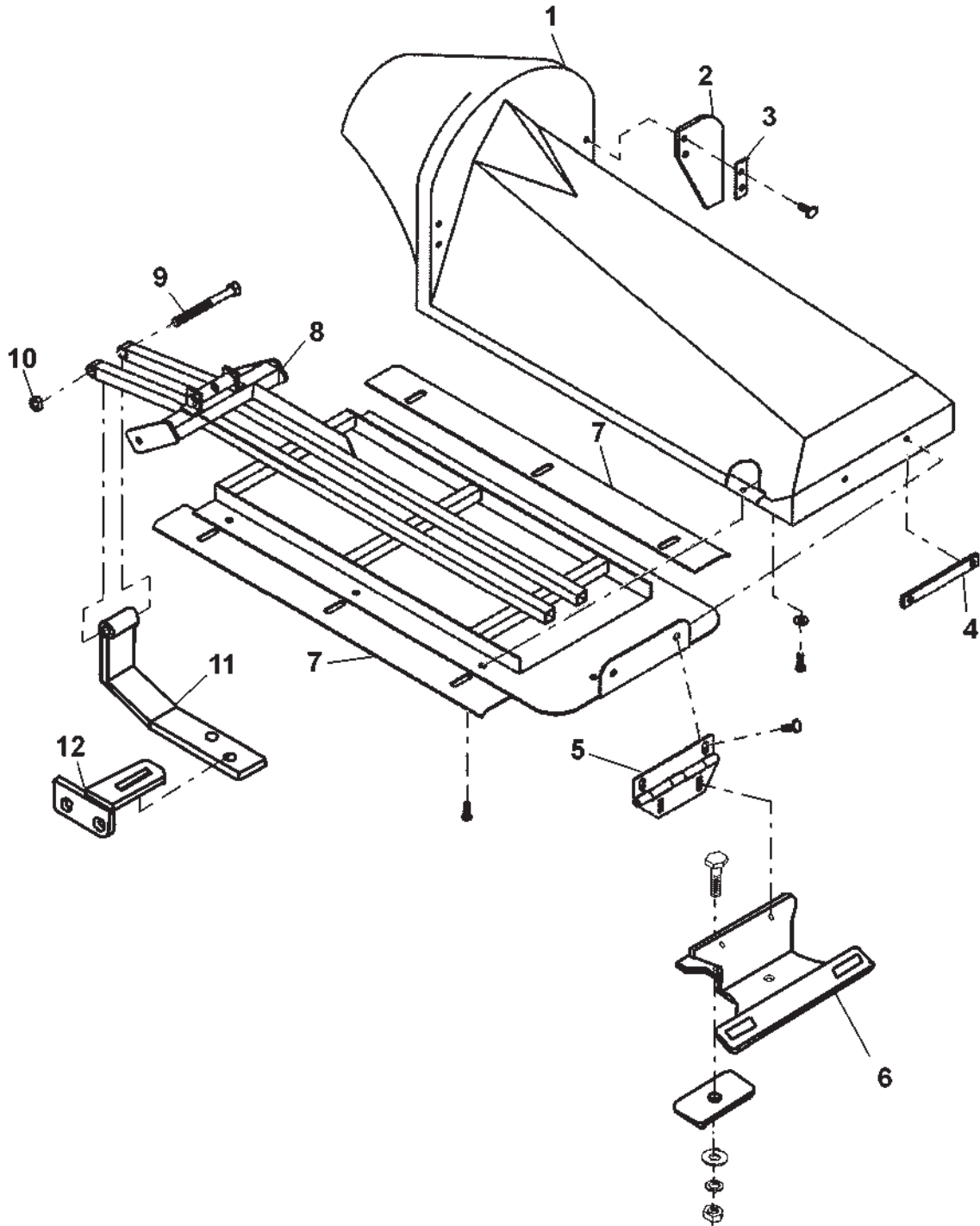
**GATHERING UNITS
INNER
30" & 36"/38"**

ITEM	NUMBER	QTY	DESCRIPTION
-	700721572	AR	GATHER ASY., (30")
-	700721573	AR	GATHER ASY., (36"/38")
1	700721393	1	GATHER (30")
	700721394	1	GATHER (36"/38")
	7771371	10	SCREW, TORX/HEAD, 5/16 X 1-1/4
	70917642	10	WASHER, FLAT, 5/16
	70931277	10	NUT, SER/FLG., 5/16
2	71389941	1	FRAME, WELDMENT (30")
	71390630	1	FRAME, WELDMENT (36"/38")
3	71396839	1	RAIL, SIDE (LH)
4	71396840	1	RAIL, SIDE (RH)
	7771371	AR	SCREW, TORX/HEAD, 5/16 X 1-1/4
	70917642	AR	WASHER, FLAT, 5/16
	70931277	AR	NUT, SER/FLG., 5/16
5	71389938	1	ROD, PROP
6	71391977	1	PIN, DRILLED-HEAD, 7/16 X 1-3/4
7	70936348	2	PIN, HAIR
8	71389944	1	T-PIN, LATCH (3/4" DIA.)
9	71389945	1	SPRING, COMPRESSION
10	70918269	1	WASHER, FLAT, 3/4 SAE
11	70918454	2	PIN, COTTER, 1/4 X 1-1/2
12	71389939	1	CHAIN (22-LINK/PLATED)
13	71396829	1	HINGE ASY. (30")
	71396842	1	HINGE ASY. (36"/38")
	70920415	2	CAPSCREW, 3/8-16 X 1-1/4
	70917378	2	WASHER, FLAT, 3/8 USS
	70916965	2	WASHER, LOCK, 3/8
	70921965	2	CAPSCREW, 3/8-16 X 3/4
	70917378	2	WASHER, FLAT, 3/8 USS
14	71389947	1	BAR, HINGE, 3/8-16 THREADED
15	71396833	1	HINGE, MOUNT (30")
	71396846	1	HINGE, MOUNT (36")
	71396867	1	HINGE, MOUNT (38")
	70927075	4	BOLT, CARRIAGE, 5/16-18 X 1
	70931277	4	NUT, SER/FLG., 5/16-18
16	71396837	1	COVER, EXT., UNIT (30"-REAR)
	71396848	1	COVER, EXT., UNIT (36"/38"-REAR)
	70927075	AR	BOLT, CARRIAGE, 5/16-18 X 1
	70931277	AR	NUT, SER/FLG., 5/16-18
17	71389561	1	WELDMENT, LATCH PLATE (30"-FRONT)
	71389593	AR	WELDMENT, LATCH PLATE (36"/38"-FRONT)
	7702012	AR	SCREW, HX WSHR HD TAP, 3/8-16 X 3/4
	700717523	AR	WASHER, PLATED
18	71396850	AR	BRACKET, MTG., LATCH PLATE
	70921176	AR	CAPSCREW, 1/2-13 X 1-1/4
	Y705046	AR	WASHER, LOCK, 1/2
19	71350426	2	DEFLECTOR, EAR (RUBBER)
20	71389486	2	REINFORCEMENT, DEFLECTOR, EAR
	70925205	4	CAPSCREW, HEX, 5/16-18 X 5/8
	70923300	4	WASHER, LOCK, INT. TOOTH, 5/16
21	71389339	AR	DECAL (WARNING/LIFT-HOOK)

71389555

CH CORN HEAD
GATHERING

GATHERING UNITS
INNER
20"/22"



71390633

**CH CORN HEAD
GATHERING**

69

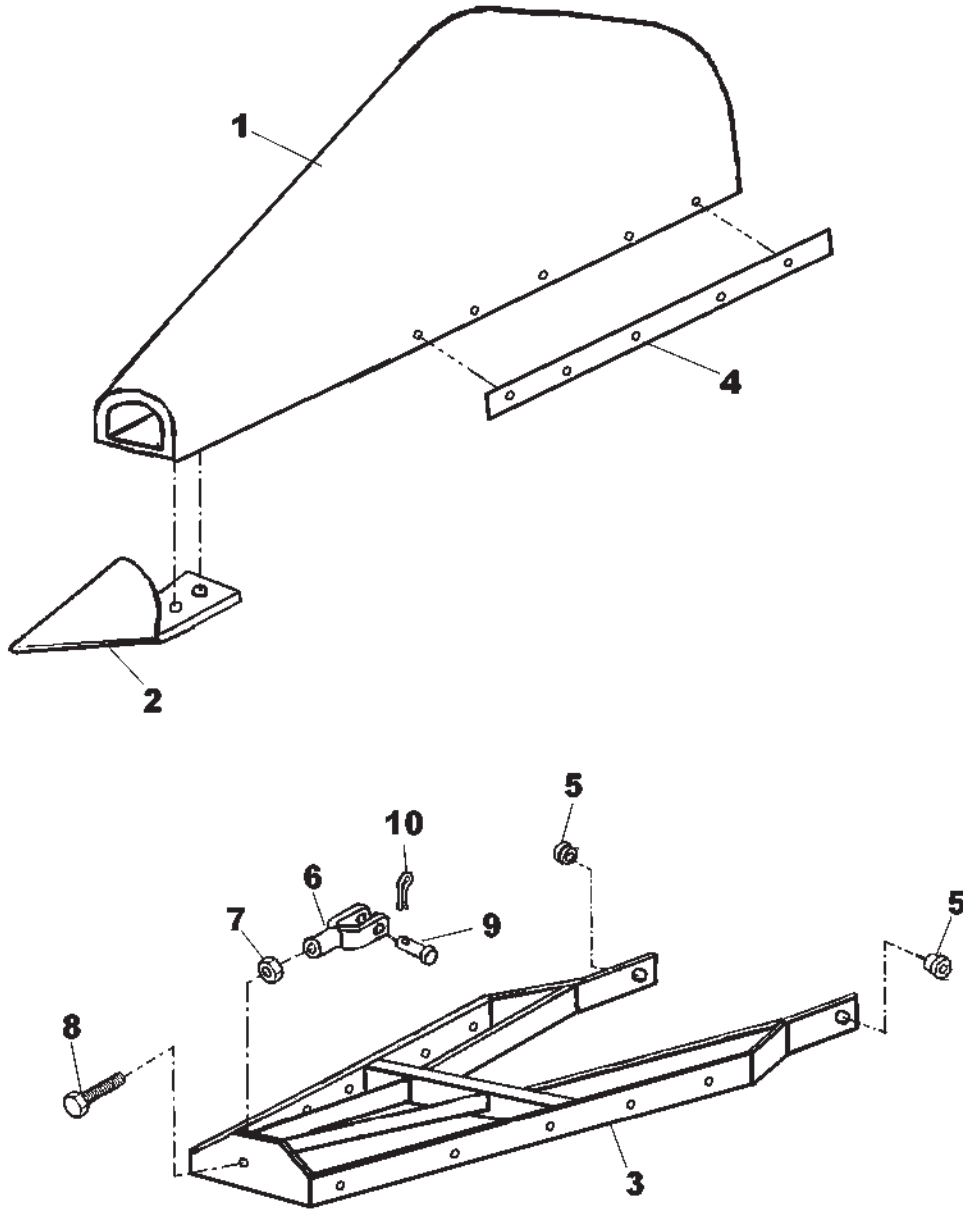
**GATHERING UNITS
INNER
20"/22"**

ITEM	NUMBER	QTY	DESCRIPTION
-	700722221	AR	GATHER ASY., INNER-REAR
1	71399883	1	GATHER, INNER
	71335690	AR	SCREW, TORX/HEAD, 5/16 X 7/8
	70917642	AR	WASHER, FLAT, 5/16
	70931277	AR	NUT, SER/FLG., 5/16
2	71390646	2	SAVER, EAR (RUBBER)
3	71390973	2	RETAINER (EAR-SAVER)
	70921332	4	CAPSCREW, HEX, 5/16-18 X 3/4
	70923300	4	WASHER, LOCK, INT. TOOTH, 5/16
4	71390969	1	STRAP (HINGE-MTG.)
5	71390645	1	HINGE ASY. (REAR)
	71335690	AR	SCREW, TORX/HEAD, 5/16 X 7/8
	70917642	AR	WASHER, FLAT, 5/16
	70931277	AR	NUT, SER/FLG., 5/16
6	700722816	AR	MOUNT ASY. (20"/22" REAR-HINGE)
	70936460	AR	CAPSCREW, TORX-SOCKET, TRUSS HD., 5/16-18 X 3/4
	70917642	AR	WASHER, FLAT, 5/16
	70920702	AR	NUT, SQ. RETAIN, 5/16
	70930601	AR	SCREW, SELF TAPPING 5/16 X 5/8
	70920415	AR	CAPSCREW, 3/8-16 X 1-1/4 (22"-SPACING)
	70917378	AR	WASHER, FLAT, 3/8 USS (22"-SPACING)
	70916965	AR	WASHER, LOCK, 3/8 (22"-SPACING)
	70916950	AR	NUT, HEX, 3/8-16 (22"-SPACING)
7	71390972	2	RAIL, SIDE (WIDTH-ADJUSTMENT)
	71335690	AR	SCREW, TORX/HEAD, 5/16 X 7/8
	70917642	AR	WASHER, FLAT, 5/16
	70931277	AR	NUT, SER/FLG., 5/16
8	71390967	1	FRAME, WELDMENT
9	70926113	1	CAPSCREW, HEX, 7/16-14 X 4-1/2
10	70924058	1	NUT, CTR.-LOCK, 7/16-14
11	71390644	AR	WELDMENT (FRONT-HOLD DOWN)
	70922787	AR	BOLT, CARRIAGE, RHSN, 3/8-16 X 1-1/2
	70917378	AR	WASHER, FLAT, 3/8 USS
	70919312	AR	WASHER, LOCK, 3/8
	70916950	AR	NUT, HEX, 3/8-16
12	71390643	AR	WELDMENT (FRONT-SUPPORT)
	70921176	AR	CAPSCREW, 1/2 X 1-1/4
	Y705046	AR	WASHER, LOCK, 1/2

71390633

CH CORN HEAD
GATHERING

SNOUT ASSEMBLY
INNER GATHERING UNITS
30", 36" & 38"



71389556

**CH CORN HEAD
GATHERING**

71

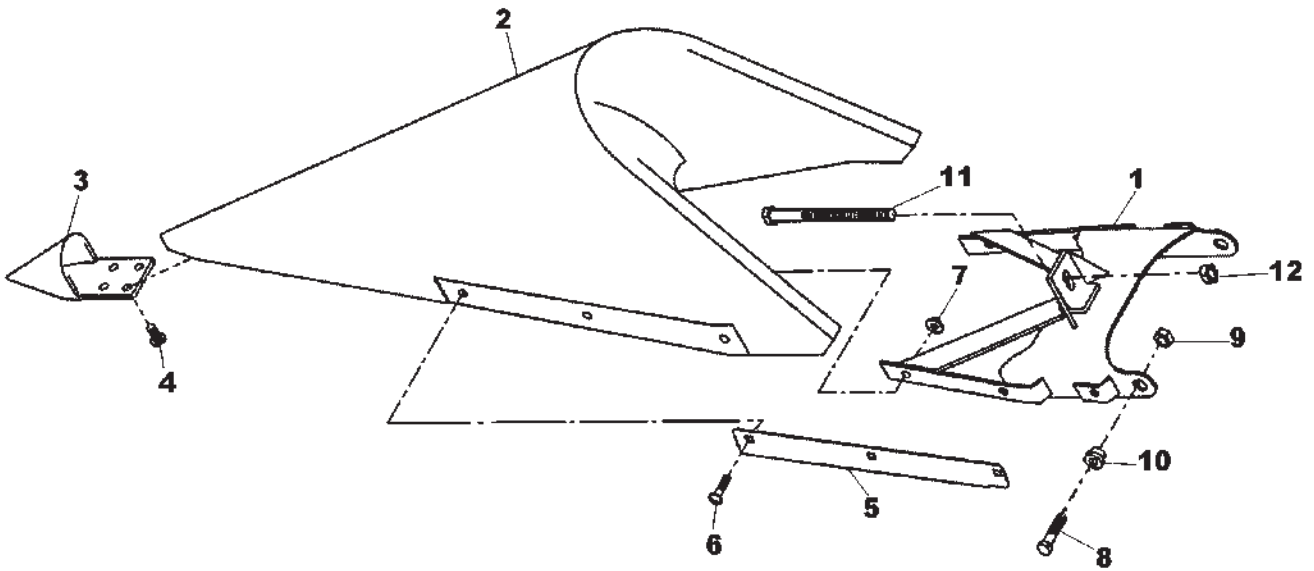
**SNOUT ASSEMBLY
INNER GATHERING UNITS
30", 36" & 38"**

ITEM	NUMBER	QTY	DESCRIPTION
-	700721305	AR	SNOUT ASY. (30")
-	700721306	AR	SNOUT ASY. (36"/38")
1	700721390	1	SNOUT (30")
	700721389	1	SNOUT (36"/38")
	7771371	10	SCREW, TORX/HEAD, 5/16 X 1-1/4
	70917642	10	WASHER, FLAT, 5/16
	70931277	10	NUT, SER/FLG., 5/16
2	71364963	1	POINT, DIVIDER/SNOUT (CAST)
	7771371	4	SCREW, TORX/HEAD, 5/16 X 1-1/4
	70917642	4	WASHER, FLAT, 5/16
	70931277	2	NUT, SER/FLG., 5/16
3	71390030	1	FRAME, WELDMENT (30")
	71390036	1	FRAME, WELDMENT (36"/38")
4	71390033	1	STRIP, WEAR (LH-STAINLESS)
	71390032	1	STRIP, WEAR (RH-STAINLESS)
	7771371	10	SCREW, TORX/HEAD, 5/16 X 1-1/4
	70917642	10	WASHER, FLAT, 5/16
	70931277	10	NUT, SER/FLG., 5/16
5	71389948	2	BUSHING, SHOULDERED
	70925696	2	CAPSCREW, 7/16-14 X 2.0
	70924058	2	NUT, CENTER-LOCK, 7/16-14
6	70937465	1	YOKE, CHAIN, 1/2-13
7	704031	1	NUT, 1/2-13
8	70937284	1	CAPSCREW, HEX-FULL THRD, 1/2-13 X 3-1/4
9	71391977	1	PIN, DRILLED-HEAD, 7/16 X 1-3/4
10	70936348	1	PIN, HAIR, 1/4

71389556

CH CORN HEAD
GATHERING

SNOUT ASSEMBLY
INNER GATHERING UNITS
20"/22"



71391284

**CH CORN HEAD
GATHERING**

73

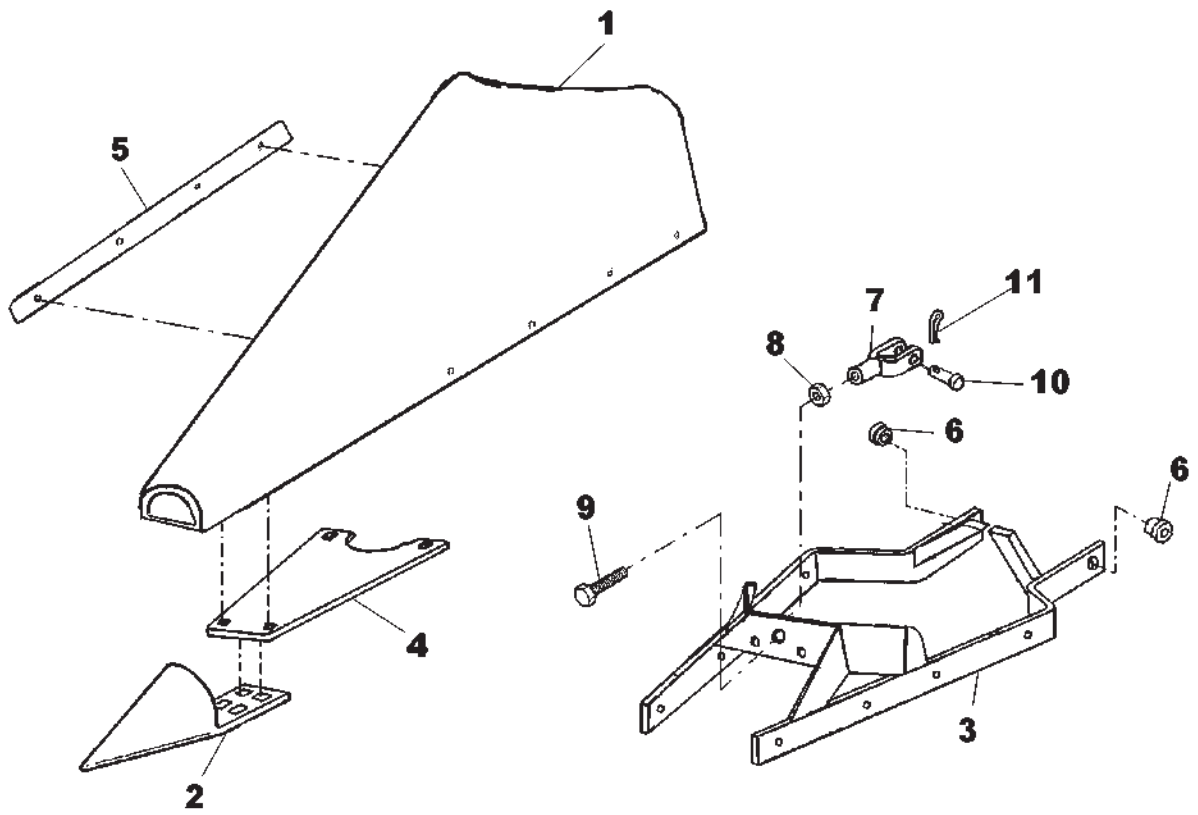
**SNOUT ASSEMBLY
INNER GATHERING UNITS
20"/22"**

ITEM	NUMBER	QTY	DESCRIPTION
-	700722224	AR	SNOUT ASY.
1	71390974	1	FRAME, WELDMENT
2	71399885	1	SNOUT
3	71364963	1	POINT, DIVIDER/SNOUT (CAST)
4	71335690	AR	SCREW, TORX/HEAD, 5/16 X 7/8
	70917642	AR	WASHER, FLAT, 5/16
	70931277	AR	NUT, SER/FLG., 5/16
5	71391277	1	STRIP, WEAR (LH-STAINLESS)
	71391276	1	STRIP, WEAR (RH-STAINLESS)
6	70925960	AR	SCREW, TRUSS/HEAD, 5/16 X 1-1/2
7	70931277	AR	NUT, SER/FLG., 5/16
8	70923027	2	CAPSCREW, HEX, 7/16-14 X 1-3/4
9	70924058	2	NUT, CENTER-LOCK, 7/16-14
10	71389948	2	BUSHING, SHOULDERED
11	70935299	1	CAPSCREW, HEX, 1/2-13 X 8-1/2
12	704031	1	NUT, 1/2-13

71391284

CH CORN HEAD
GATHERING

SNOUT ASSEMBLY
OUTER GATHERING UNITS
FENDER ASY. (30", 36" & 38")



**CH CORN HEAD
GATHERING**

75

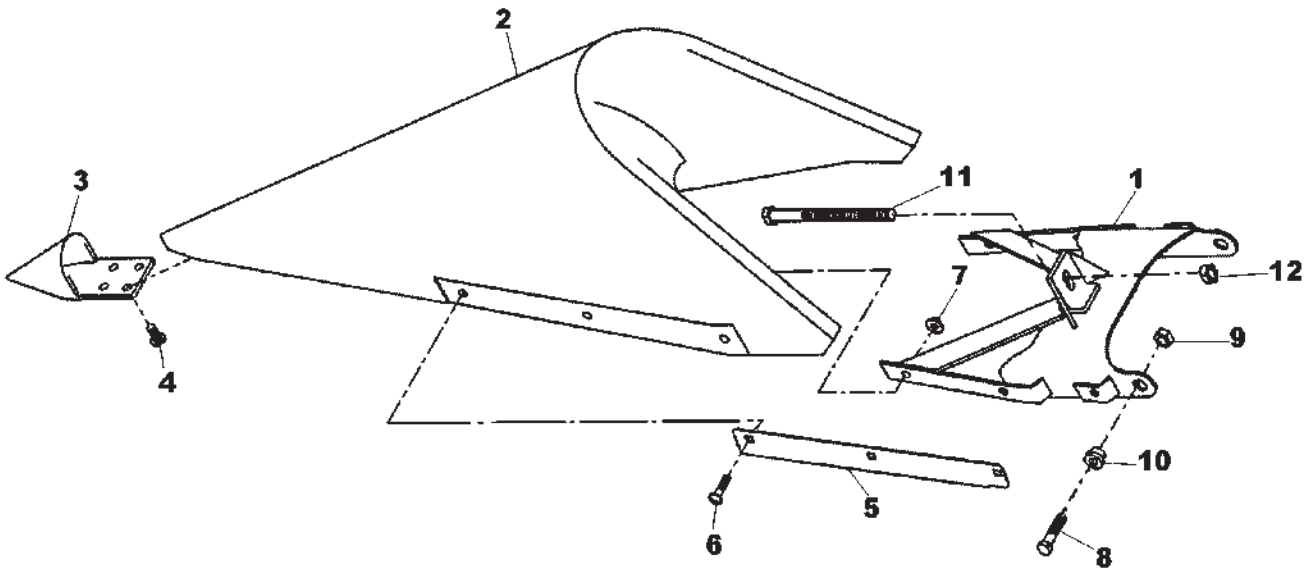
**SNOUT ASSEMBLY
OUTER GATHERING UNITS
FENDER ASY. (30", 36" & 38")**

ITEM	NUMBER	QTY	DESCRIPTION
-	700721303	AR	SNOUT ASY. (LH)
-	700721304	AR	SNOUT ASY. (RH)
1	700721395	1	SNOUT (LH)
	700721396	1	SNOUT (RH)
	71335690	AR	SCREW, TORX/HEAD, 5/16 X 7/8
	70917642	AR	WASHER, FLAT, 5/16
	70931277	AR	NUT, SER/FLG., 5/16
2	71364963	1	POINT, DIVIDER/SNOUT (CAST)
	7771371	AR	CAPSCREW, HEX HEAD FLANGED/SERRATED 5/16-18 X 1-1/4
	71335690	AR	SCREW, TORX/HEAD, 5/16 X 7/8
	70917642	AR	WASHER, FLAT, 5/16
	70931277	AR	NUT, SER/FLG., 5/16
3	71390027	1	FRAME, WELDMENT (LH)
	71390026	1	FRAME, WELDMENT (RH)
4	71389350	1	PLATE, BOTTOM
	71335690	AR	SCREW, TORX/HEAD, 5/16 X 7/8
	70917642	AR	WASHER, FLAT, 5/16
	70931277	AR	NUT, SER/FLG., 5/16
5	71390035	1	STRIP, WEAR (LH-STAINLESS)
	71390028	1	STRIP, WEAR (RH-STAINLESS)
	71335690	AR	SCREW, TORX/HEAD, 5/16 X 7/8
	70917642	AR	WASHER, FLAT, 5/16
	70931277	AR	NUT, SER/FLG., 5/16
6	71389948	2	BUSHING, SHOULDERED
	70925696	2	CAPSCREW, 7/16-14 X 2.0
	70924058	2	NUT, CENTER-LOCK, 7/16-14
7	70937465	1	YOKE, CHAIN, 1/2-13
8	704031	1	NUT, 1/2-13
9	70937284	1	CAPSCREW, HEX-FULL THRD, 1/2-13 X 3-1/4
10	71391977	1	PIN, DRILLED-HEAD, 7/16 X 1-3/4
11	70936348	1	PIN, HAIR, 1/4

71389553

CH CORN HEAD
GATHERING

SNOUT ASSEMBLY
OUTER GATHERING UNITS
FENDER ASY. (20"/22")



**CH CORN HEAD
GATHERING**

77

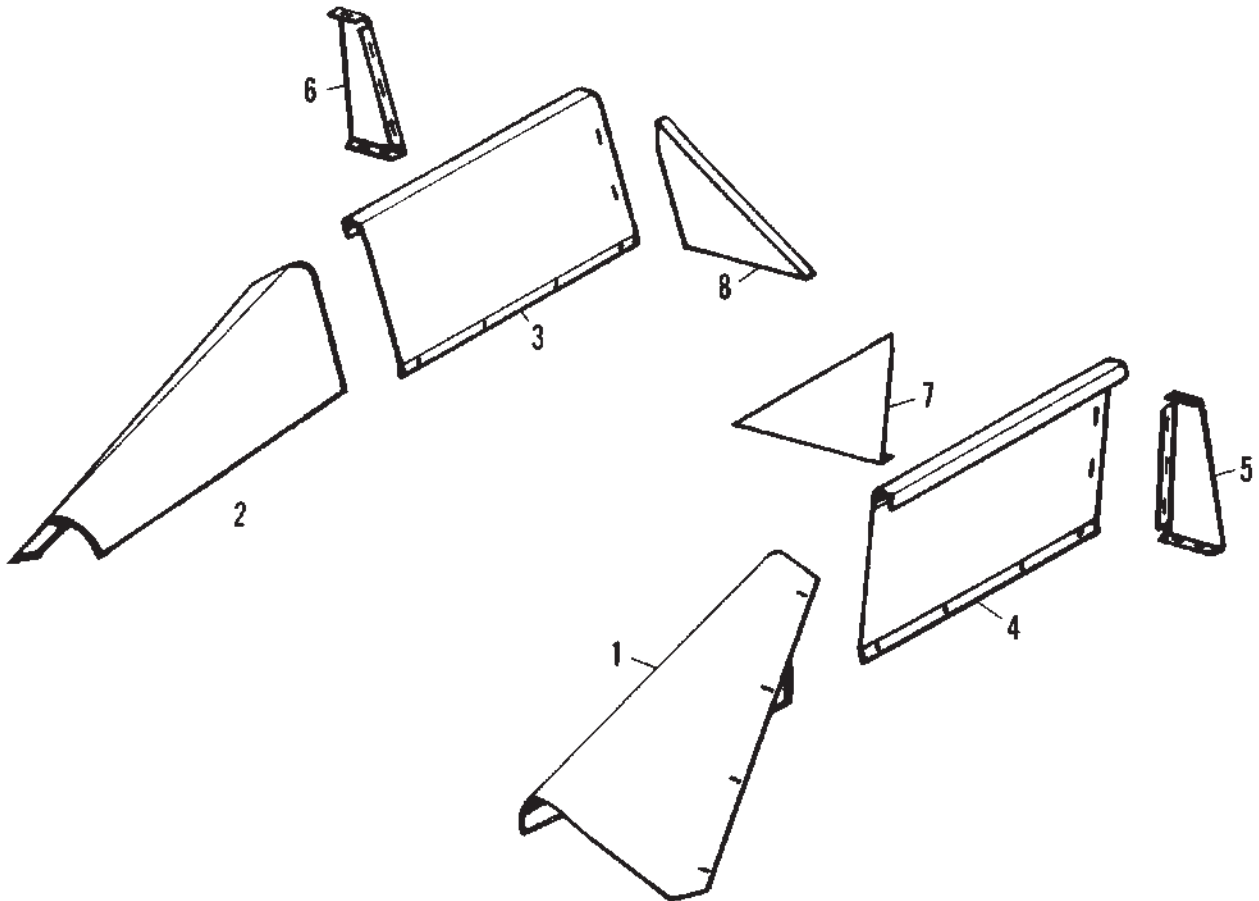
**SNOUT ASSEMBLY
OUTER GATHERING UNITS
FENDER ASY. (20"/22")**

ITEM	NUMBER	QTY	DESCRIPTION
-	700722214	AR	SNOUT ASY. (FENDER)
1	71390960	1	FRAME, WELDMENT (FENDER-SNOUT)
2	71399877	1	SNOUT (FENDER)
3	71364963	1	POINT, DIVIDER/SNOUT (CAST)
4	71335690	AR	SCREW, TORX/HEAD, 5/16 X 7/8
	70917642	AR	WASHER, FLAT, 5/16
	70931277	AR	NUT, SER/FLG., 5/16
5	71391277	1	STRIP, WEAR (LH-STAINLESS)
	71391276	1	STRIP, WEAR (RH-STAINLESS)
6	70925960	AR	SCREW, TRUSS/HEAD, 5/16 X 1-1/2
7	70931277	AR	NUT, SER/FLG., 5/16
8	70923027	2	CAPSCREW, HEX, 7/16-14 X 1-3/4
9	70924058	2	NUT, CENTER-LOCK, 7/16-14
10	71389948	2	BUSHING, SHOULDERED
11	70935299	1	CAPSCREW, HEX, 1/2-13 X 8-1/2
12	704031	1	NUT, 1/2-13

71391283

CH CORN HEAD
GATHERING

EXTENSION
GATHER SHEET/FENDER
(30" & 36"/38")



**CH CORN HEAD
GATHERING**

79

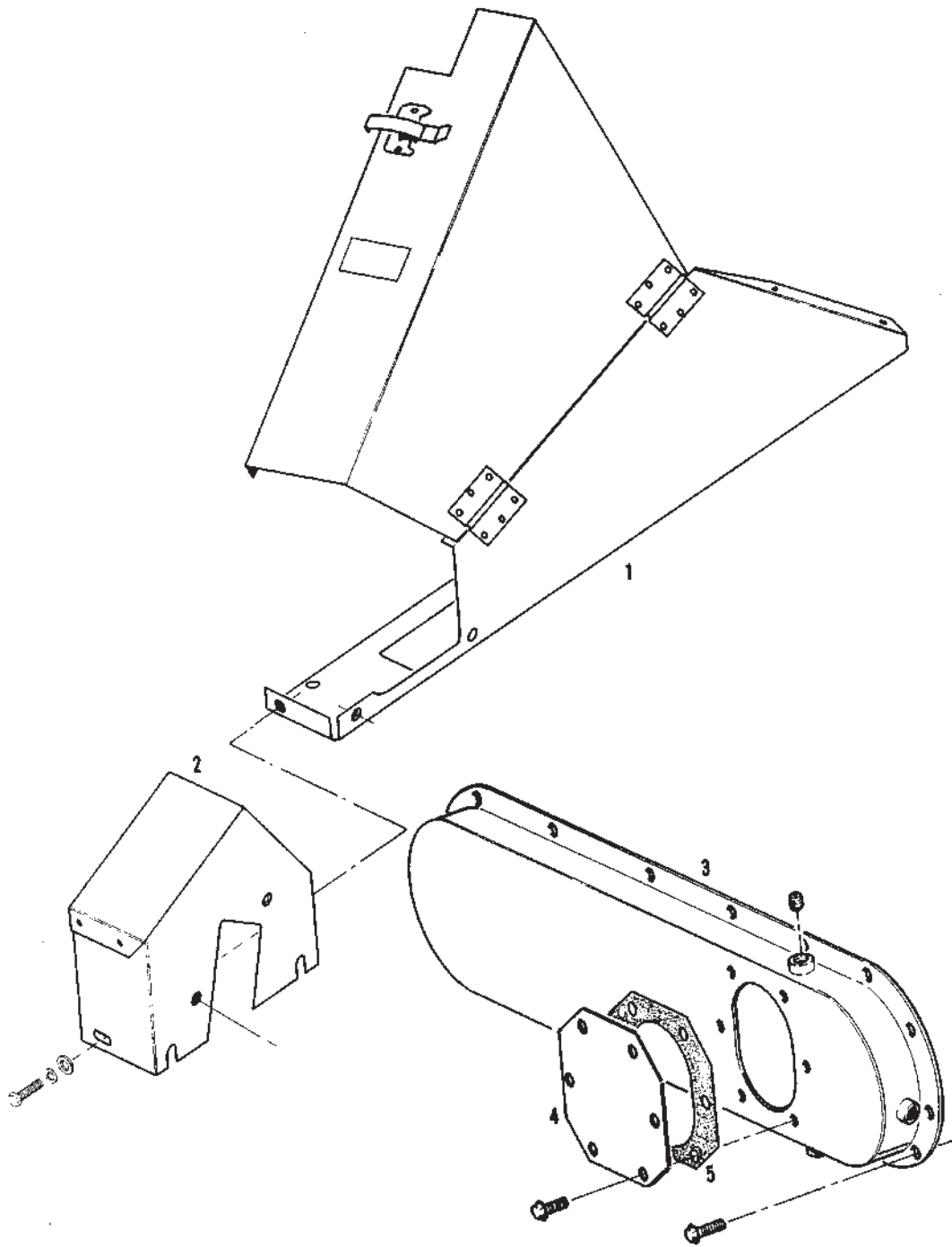
**EXTENSION
GATHER SHEET/FENDER
(30" & 36"/38")**

ITEM	NUMBER	QTY	DESCRIPTION
1	71389931	1	GATHERING, EXTENSION L.H. FRONT
2	71389930	1	GATHERING, EXTENSION R.H. FRONT
3	71391290	1	GATHERING/FENDER EXTENSION R.H. REAR
4	71391289	1	GATHERING/FENDER EXTENSION L.H. REAR
5	71389349	1	SUPPORT, EXTENSION L.H. REAR
6	71389348	1	SUPPORT, EXTENSION R.H. REAR
7	71389346	1	EXTENSION,PANEL COVER, CORNER, R.H.-REAR
8	71389347	1	EXTENSION,PANEL COVER, CORNER, L.H.-REAR
	71345822	2	HINGE (NOT ILLUSTRATED)
	70931317	8	CAPSCREW, HEX, 1/4-20 X 3/4
	70917377	8	WASHER, FLAT, 1/4 USS
	70919310	8	WASHER, LOCK, 1/4
	70916622	8	NUT, 1/4-20
-	-----	AR	HARDWARE: (SEE BELOW)
	70931333	14	BOLT, CARRIAGE, RHSN, 5/16-18 X 3/4
	70927075	22	BOLT, CARRIAGE, RHSN, 5/16-18 X 1.0
	70917642	36	WASHER, FLAT, 5/16 USS
	70917356	36	WASHER, LOCK, 5/16
	70917372	36	NUT, 5/16-18
-	71530213	AR	KIT, FENDER EXTENSION PACKAGE (ORDER THRU DEALER CENTRAL)

71353074

CH CORN HEAD
SHIELDS

DRIVE SHIELDS



GCH0001

**CH CORN HEAD
SHIELDS**

81

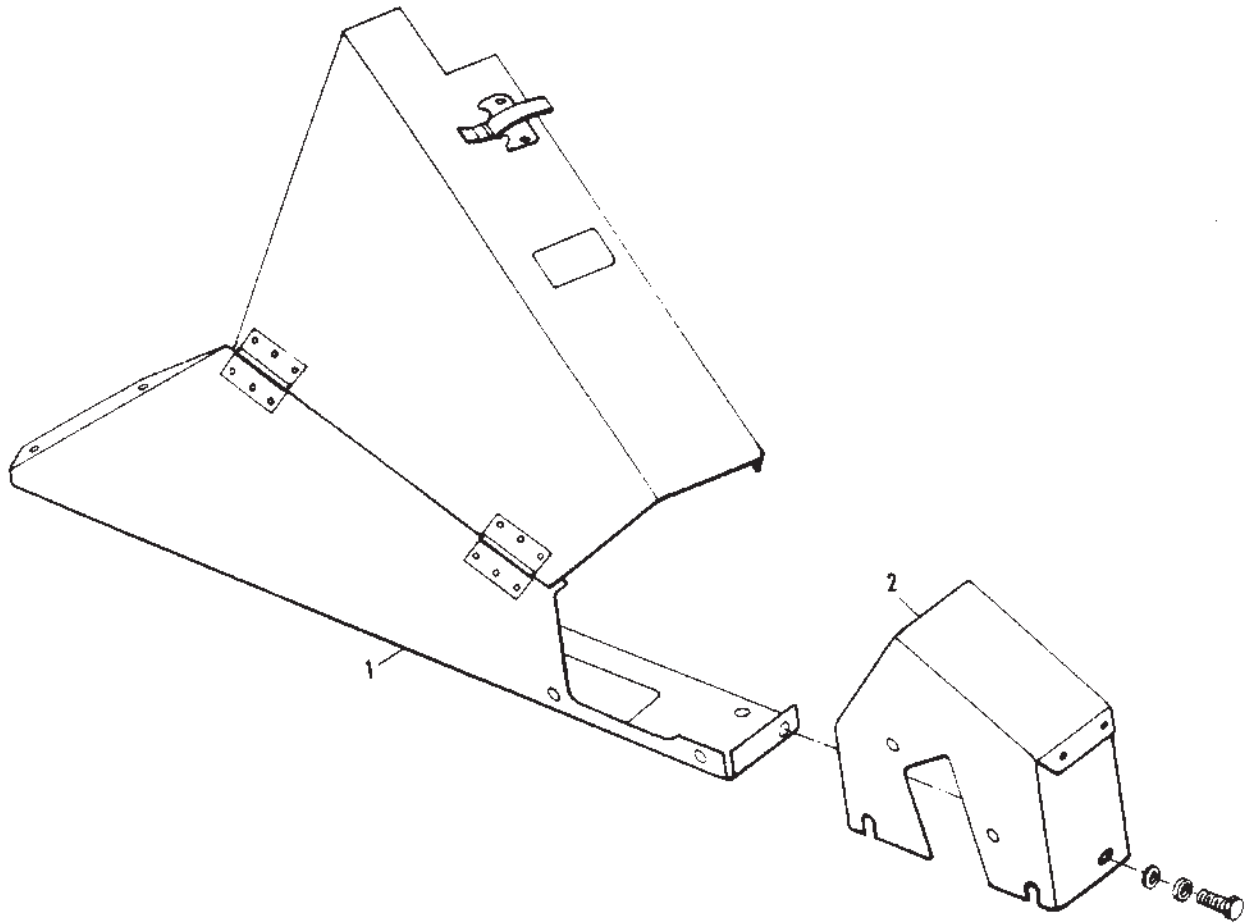
DRIVE SHIELDS

ITEM	NUMBER	QTY	DESCRIPTION
1	71369336	1	SHIELD ASY., CONV. DRIVE L.H. (W/DECAL)
	71192887	1	DECAL, SHIELD
	70586838	2	HINGE
	71127991	1	LATCH, DOOR
	70937482	AR	RIVET, CLOSED END, 3/16 X 33/64
	70931333	2	BOLT, CGE., 5/16NC X 3/4
	70931277	2	NUT, SM. SERR. FLG., 5/16NC
	70921332	3	CAPSCREW, 5/16NC X 3/4
	70919311	3	WASHER, LOCK, 5/16
	70917642	3	WASHER, 5/16
	2	71354920	1
70921332		3	CAPSCREW, 5/16NC X 3/4
70919311		3	WASHER, LOCK, 5/16
70917642		3	WASHER, 5/16
3	71358065	AR	COVER ASY., CHAIN
	700704010	AR	SEALANT
	70924856	AR	SCREW, TAP, 5/16NC X 1/2
	70917970	AR	PLUG, PIPE, 1/2NPTF
	79014672	AR	OIL, 1 QT. (1.5 QTS. REQ'D.)
4	71347318	AR	DOOR, COVER
	365775X1	AR	SCREW, 1/4NC X 1/2
5	71347319	AR	GASKET, DOOR

GCH0001

CH CORN HEAD
SHIELDS

SHIELDS
R.H. 12 ROW



GCH0002

**CH CORN HEAD
SHIELDS**

83

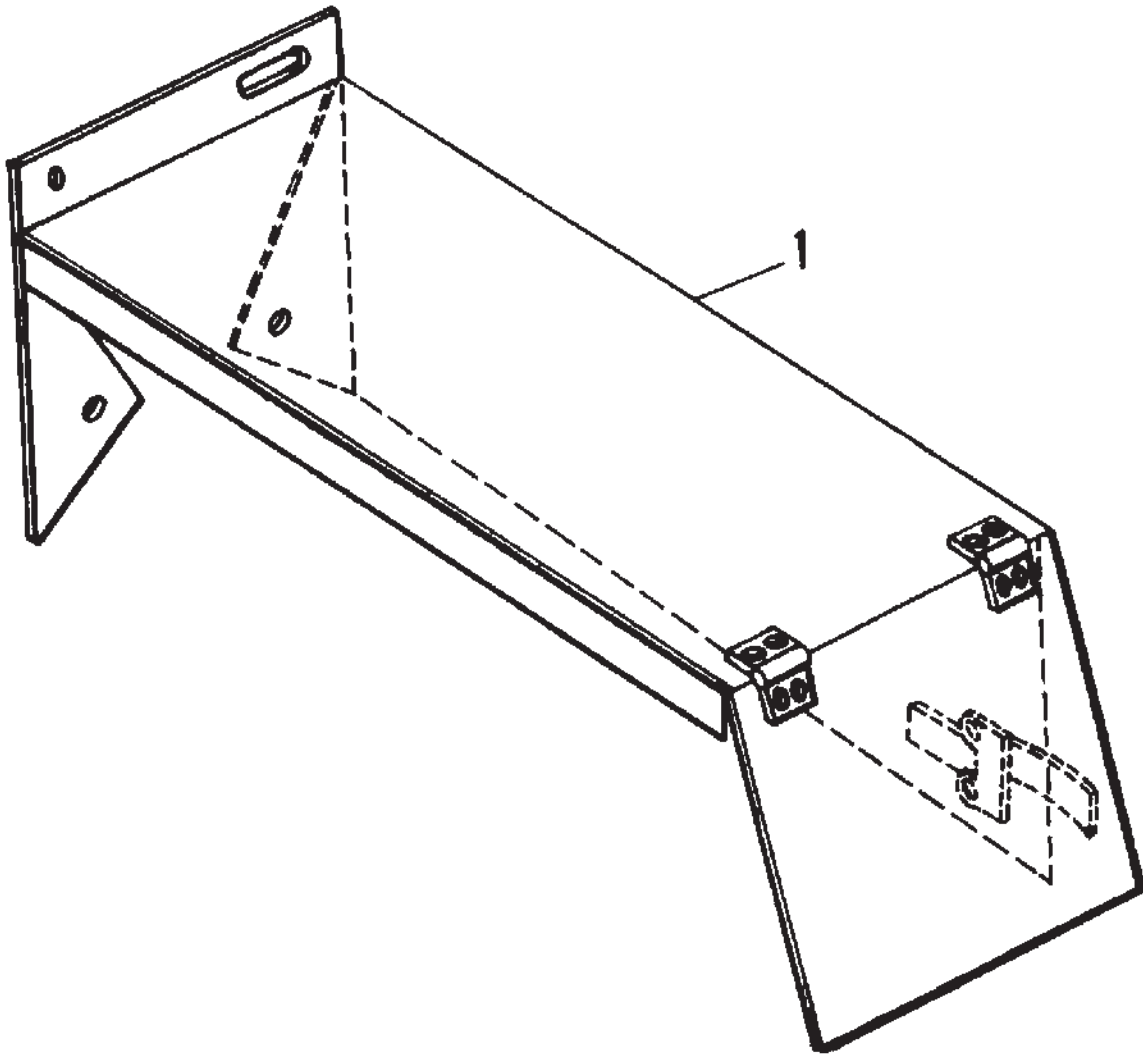
**SHIELDS
R.H. 12 ROW**

ITEM	NUMBER	QTY	DESCRIPTION	
1	71369333	1	SHIELD ASY., CONV. DRIVE (W/DECAL)	
	71192887	1	DECAL, SHIELD	
	70586838	2	HINGE	
	71127991	1	LATCH, DOOR	
	70937482	AR	RIVET, CLOSED END, 3/16 X 33/64	
	70931333	2	BOLT, CGE., 5/16NC X 3/4	
	70931277	2	NUT, SM. SERR. FLG., 5/16NC	
	70921332	3	CAPSCREW, 5/16NC X 3/4	
	70917356	3	WASHER, LOCK, 5/16	
	70917642	3	WASHER, 5/16	
	2	71360628	1	SHIELD ASY., CORNER (RH)
		70921332	3	CAPSCREW, 5/16NC X 3/4
		70919311	3	WASHER, LOCK, 5/16
		70917642	3	WASHER, 5/16

GCH0002

CH CORN HEAD
SHIELDS

SHIELDS
R.H. 6 ROW



**CH CORN HEAD
SHIELDS**

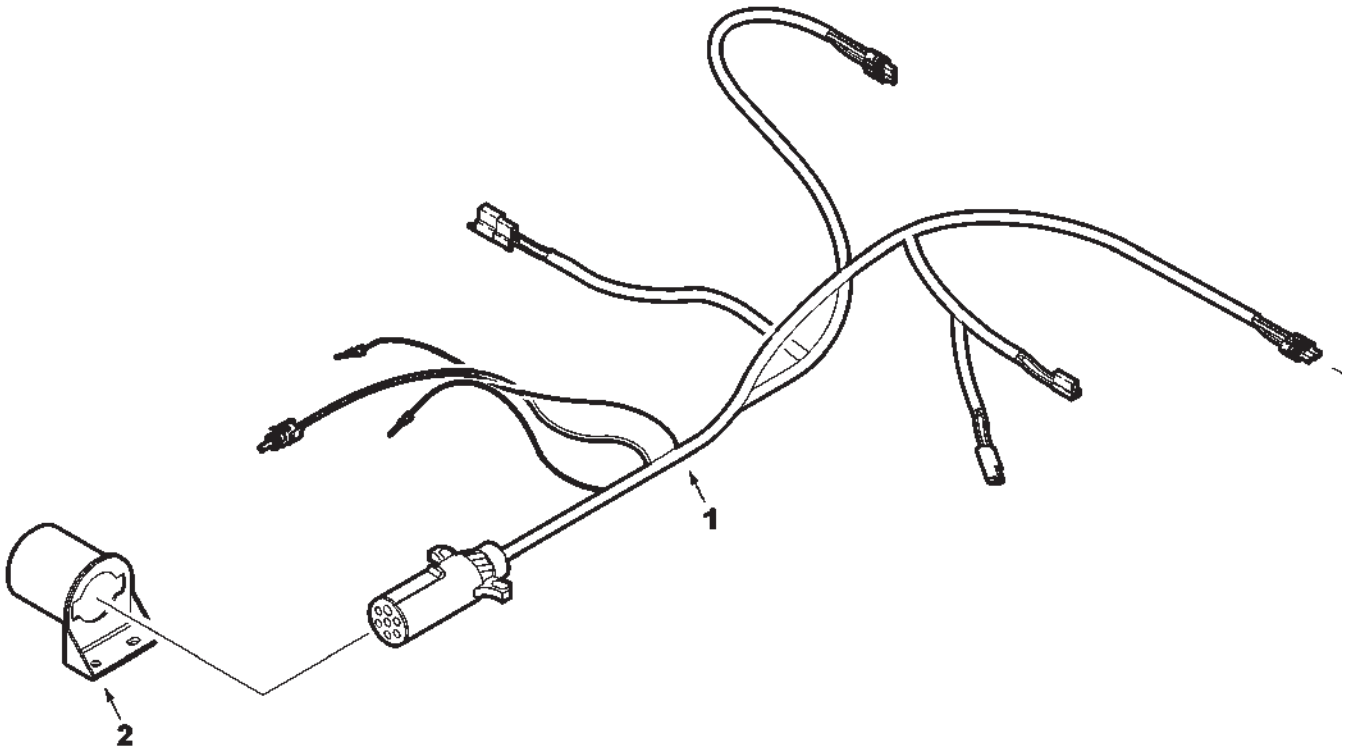
85

**SHIELDS
R.H. 6 ROW**

ITEM	NUMBER	QTY	DESCRIPTION
1	71360647	1	SHIELD ASY., RH COUNTERSHAFT (W/DECAL)
	71192887	1	DECAL, SHIELD
	70586838	2	HINGE
	71127991	1	CLAMP
	70936494	10	RIVET, BLIND, AVEX .188 X .638
	70931333	4	BOLT, CGE. 5/16 X 3/4
	70931277	4	NUT, SM. SERR. FLANGED 5/16 NC

GCH0003

MAIN HARNESS
CLEARANCE LIGHTS
ADJUSTABLE STRIPPER



**CH CORN HEAD
ELECTRICAL**

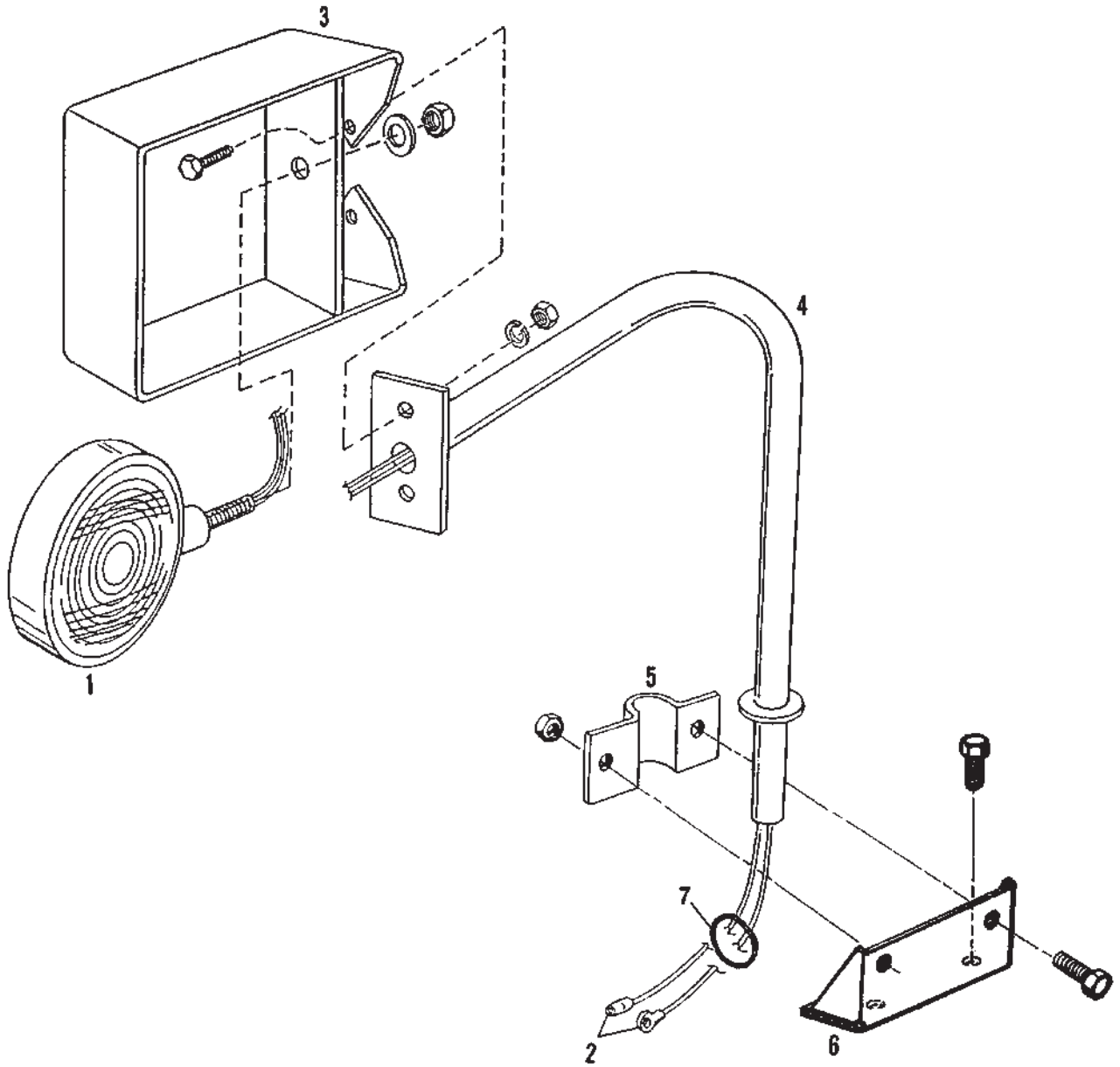
87

**MAIN HARNESS
CLEARANCE LIGHTS
ADJUSTABLE STRIPPER**

ITEM	NUMBER	QTY	DESCRIPTION
1	71391984	1	HARNESS, WIRING (6-ROW CORN HEADS)
	71391983	1	HARNESS, WIRING (8-12 ROW CORN HEADS)
	70926917	6	CLIP, HARNESS
	70917372	6	HEXNUT, 5/16-18
	70925442	3	TIE, WIRE
	70937280	2	SCREW, #8-32 X 3/4 (F/GROUND WIRE)
	70922710	2	WASHER, LOCK, INT. TOOTH (F/GROUND WIRE)
2	700706922	AR	CAP, PLUG
	364941X1	2	BOLT, RD HD SQ NK 1/4-20 X 1/2
	70931209	2	LOCKNUT, HX FLNG 1/4-20

GGH0079

LIGHTS
CLEARANCE



**CH CORN HEAD
ELECTRICAL**

89

**LIGHTS
CLEARANCE**

ITEM	NUMBER	QTY	DESCRIPTION
1	71369914	2	LIGHT, CLEARANCE (INCL. LENS & BULB)
	71193862	4	LENS, AMBER
	1018729M1	AR	BULB, #1156
	70917378	2	WASHER, 3/8 USS
	70923518	2	NUT, 3/8-16
2	-----		HARNESS, WIRING (REFER TO ELECTRICAL, MAIN HARNESS)
3	71369911	2	BRACKET, WLMT. LIGHT
	70921210	4	CAPSCREW, 3/8 X 1
	70931211	4	NUT, SER., FLG. 3/8
4	71369907	2	POST, WLMT, LIGHT
5	71369909	2	CLAMP, LIGHT POST
6	71372310	2	SUPPORT, LIGHT POST
	70921210	4	CAPSCREW, 3/8 X 1
	Y704635	4	NUT, LOCK 3/8
	70917378	4	WASHER, 3/8
	70930601	4	SCREW, SELF TAPPING 5/16 X 5/8
7	70929412	2	GROMMET, .25ID
	7827413	2	GROMMET, .870 X 1.25
-	71344765	4	TUBE, HEAT SHRINK

71382446

ELECTRICAL ADAPTER HARNESS'S
2003 & UP HEADERS TO PRE 2003 COMBINES
PRE 2003 HEADERS TO 2003 & UP COMBINES

**ILLUSTRATION NOT
AVAILABLE**

XXXXXXXX

**CH CORN HEAD
ELECTRICAL**

91

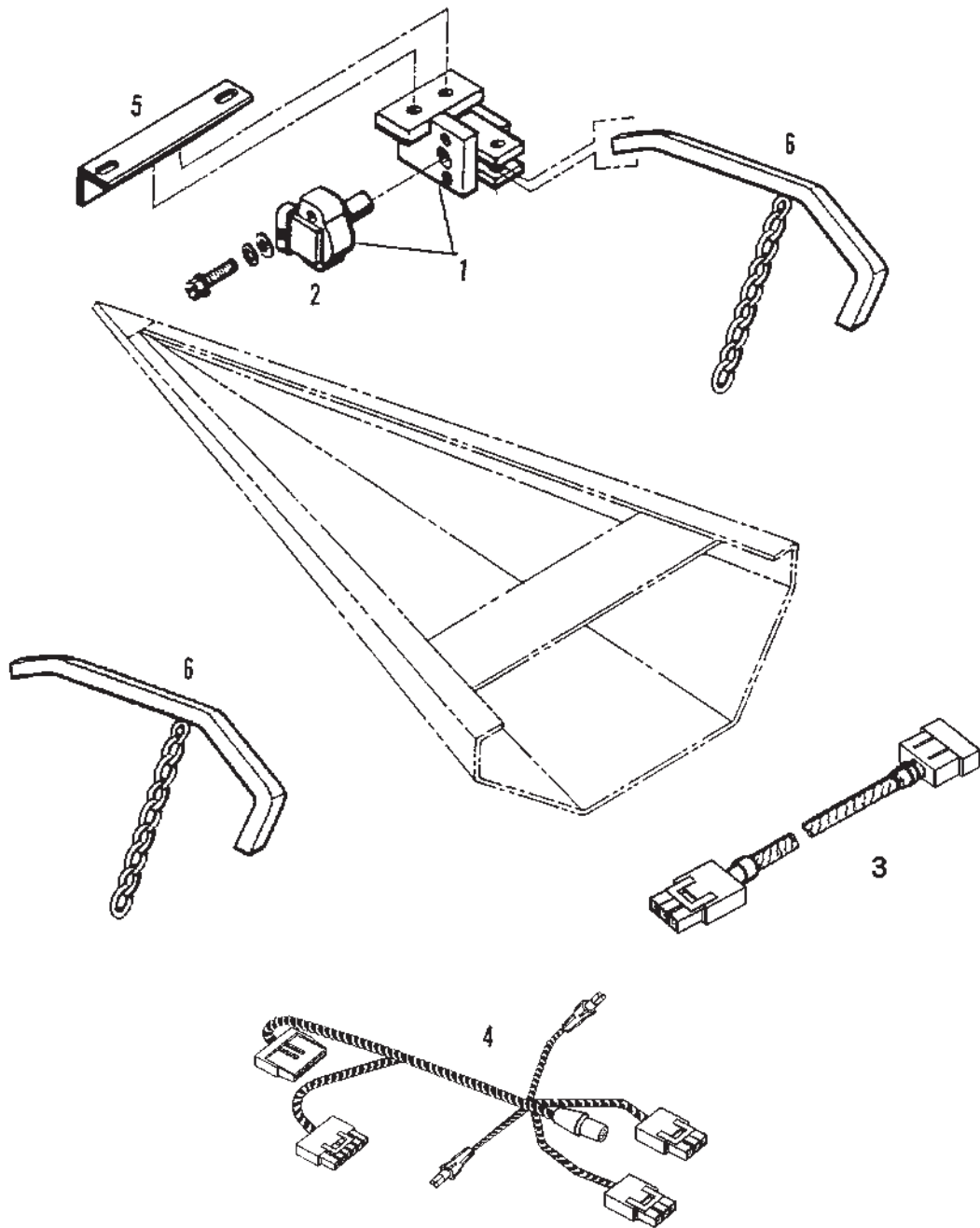
**ELECTRICAL ADAPTER HARNESS'S
2003 & UP HEADERS TO PRE 2003 COMBINES
PRE 2003 HEADERS TO 2003 & UP COMBINES**

ITEM	NUMBER	QTY	DESCRIPTION
-	71396964	AR	KIT, 13-PIN ADAPTER HARNESS (PRE 2003 HEADERS TO 2003 & UP COMBINES)
	71391708	1	HARNESS, ADAPTER
	700706922	1	PLUG, CAP
	71385165	1	LOOP & TERMINAL ASY.
-	71397293	AR	KIT, ADAPTER HARNESS (2003 & UP HEADERS TO PRE 2003 COMBINES)
	71391725	1	HARNESS, ADAPTER
	71396959B	1	BRACKET, CONNECTION

XXXXXXXX

CH CORN HEAD
LATERAL TILT

SMARTRAC
LATERAL TILT CONTROL
SENSOR & WIRING



**CH CORN HEAD
LATERAL TILT**

93

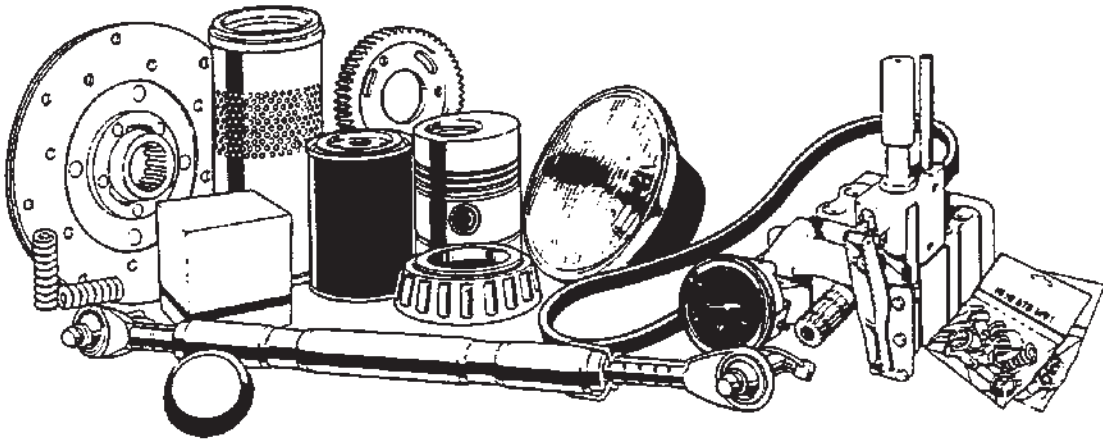
**SMARTRAC
LATERAL TILT CONTROL
SENSOR & WIRING**

ITEM	NUMBER	QTY	DESCRIPTION
1	71376259	2	BRACKET ASY., SENSOR (INCLUDES SENSOR)
	71382607	2	TAB (ACTIVATOR ARM)
	70922127	4	BOLT, HEX HD 5/16-18 X 1-3/4
	70917356	4	WASHER, LOCK 5/16
	70918265	4	WASHER, FLAT 5/16
2	71376825	2	SENSOR
	70917365	2	WASHER, FLAT #10
	70923212	2	WASHER, FLAT #10
	70918151	2	SCREW, TRUSS #10-32 X 1-1/4
3	71375738	2	HARNESS, WIRE SENSOR (2820MM)
	70925617	AR	CLAMP, CLOSED SINGLE TUBE
	70927075	AR	BOLT, RHSN 5/16 X 1.0
	70917372	AR	NUT, HEX 5/16-18
	70917356	AR	WASHER, LOCK 5/16
	70925094	AR	TIE, CABLE (7.5")
4	71374710	AR	HARNESS, WIRE HEADER
	70925617	AR	CLAMP, CLOSED SINGLE TUBE
	70927075	AR	BOLT, RHSN 5/16 X 1.0
	70917372	AR	NUT, HEX 5/16-18
	70925094	2	TIE, CABLE (7.5")
5	-----	4	NOT USED
6	71389335	2	SENSOR, GROUND W/CHAIN
	71375689	2	CHAIN, COIL
	70922127	2	BOLT, HEX HD 5/16-18 X 1-3/4
	70923362	4	NUT, LOCK 5/16-18UNC
	70918265	1	WASHER, FLAT 5/16 (TO ATTACH CHAIN)
	70917372	2	NUT, HEX 5/16-18 (TO ATTACH CHAIN)
-	71530216	AR	*PACKAGE, LTM COMPLETING (INCLS SENSORS, WIRING AND FEEDERHOUSE GUIDES) *(ORDER THRU DEALER CENTRAL)

71376260

RECOMMENDED DEALER STOCK

RECOMMENDED DEALER'S STOCK



CH CORN HEAD
RECOMMENDED DEALER STOCK

95

RECOMMENDED DEALER STOCK

ITEM	NUMBER	QTY	DESCRIPTION
-	71189834	2	BEARING
-	K4037	2	BEARING
-	50021	1	BEARING
-	71197194	2	BEARING, BALL
-	1140823	2	BEARING, BALL
-	71344589	1	BEARING, BALL
-	70590712	2	BEARING, ADAPTER
-	71505895	1	BEARING
-	71351081	36	BLADE, SNAPPING
-	3315213M1	1	BOLT
-	70922787	1	BOLT
-	353723X1	50	BOLT (PKG QTY)
-	1018729M1	10	BULB
-	71358777	2	BUSHING
-	70590594	1	BUSHING
-	71389948	1	BUSHING, PIVOT
-	71344020	1	BUSHING, THRUST
-	70928957	25	CAPSCREW, HEX HEAD
-	70921050	1	CHAIN, ROLLER
-	71505705	1	CHAIN, GATHERING
-	71384375	2	CLAMP, HALF CONTROL
-	71127991	1	CLAMP, HOOK
-	70588775	1	CLUTCH, JAW-DRIVE
-	70588776	1	CLUTCH, JAW-DRIVEN
-	70929742	2	CONE, BEARING
-	70932928	2	CUP, BEARING
-	71350426	2	DEFLECTOR, EAR
-	71357371	2	DEFLECTOR, REAR
-	71384527	1	DIAL, INDICATOR
-	71192243	4	FLANGE, BEARING (PKG QTY)
-	70593181	1	FLANGE, BEARING
-	70593180	2	FLANGE, BEARING
-	79014732	20	GREASE, 14 OZ. TUBE (PKG QTY)
-	79014731	1	GREASE, 5 GAL.
-	71358788	2	GUARD, SEAL
-	262136M1	1	GUIDE, SNAPPING
-	71359125	2	IDLER, GATH. CHAIN
-	79008328	6	IDLER, UPS (PKG QTY)
-	49378X	5	KEY (PKG QTY)

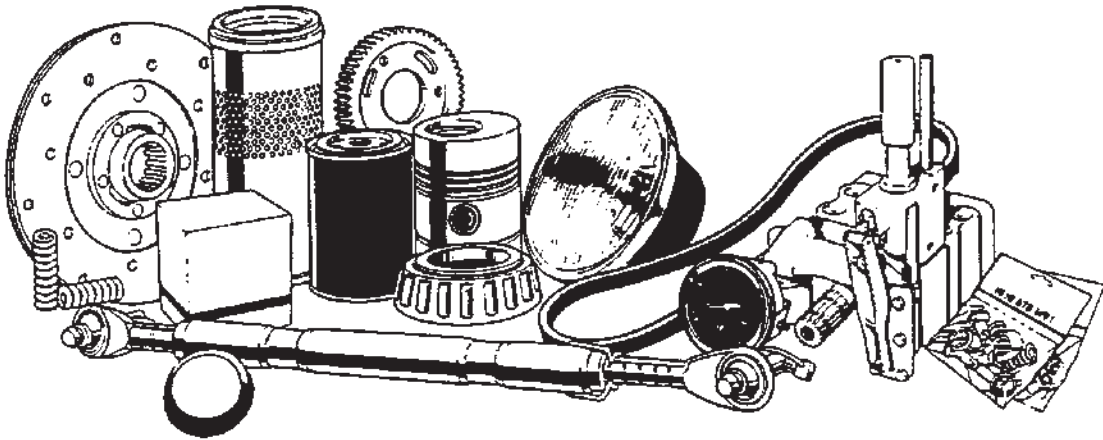
CONTINUED

NOTE: THIS PARTS STOCK LIST INDICATES
THOSE ITEMS RECOMMENDED TO
SERVICE 5 UNITS

RDL

RECOMMENDED DEALER STOCK

RECOMMENDED DEALER'S STOCK



CH CORN HEAD
RECOMMENDED DEALER STOCK

97

RECOMMENDED DEALER STOCK

ITEM	NUMBER	QTY	DESCRIPTION
-	70911020	1	KEY
-	29780X	1	KEY (PKG QTY)
-	70905126	10	KEY, WOODRUFF (PKG QTY)
-	71350535	3	KIT, CAM-SPRING
-	71350536	1	KIT, SEAL
-	71505582	2	KNIFE, GRASS
-	71369914	1	LAMP, CLEARANCE
-	71193862	1	LENS
-	71345550	1	LIMITER, TORQUE
-	70591348	AR	LINK ASY., ATTACHING
-	70587183	AR	LINK, CONNECTING (CA550 W/"S" PINS)
-	70927035	AR	LINK, OFFSET
-	70927034	AR	LINK, ROLLER
-	K3999	3	LINK, COLLAR 1
-	70914584	25	LINK, CONN-CLIP (PKG QTY)
-	70916790	25	LINK, OFFSET (PKG QTY)
-	79014637	12	NEVER-SEEZ (PKG QTY)
-	79014650	12	NEVER-SEEZ (PKG QTY)
-	70923518	1	NUT
-	70920702	10	NUT (PKG QTY)
-	Y704635	25	NUT, LOCK
-	Y704742	25	NUT, LOCK/HFTLN (PKG QTY)
-	71379972	1	NUT, COUPLER
-	70931211	12	NUT, FLANGE
-	70931187	6	NUT, FLANGE
-	70931277	50	NUT, SM. SERR. FLG., 5/16
-	Y704734	2	NUT, LOCK
-	70924058	50	NUT, LOCK (PKG QTY)
-	70923362	50	NUT, LOCK-CENTER (PKG QTY)
-	79014672	12	OIL, PWR LUBE 1 (PKG QTY)
-	70927403	4	PIN
-	70929593	2	PIN
-	70542402	1	PIN, CLUTCH
-	70936348	2	PIN, QUICK
-	98-2107	10	PIN, QUICK 5/8 (PKG QTY)
-	71390962	1	PIN, HINGE
-	71389929	2	PIN, LATCH
-	71389944	2	PIN, LATCH-T
-	71364963	2	POINT, DIVIDER
-	71373746	2	POINT, SNAP. ROLL-LH
-	71373745	2	POINT, SNAP. ROLL-RH
-	71389486	1	REINFORCEMENT, DEFLECTOR, EAR
-	71390973	1	RETAINER, EAR-SAVER

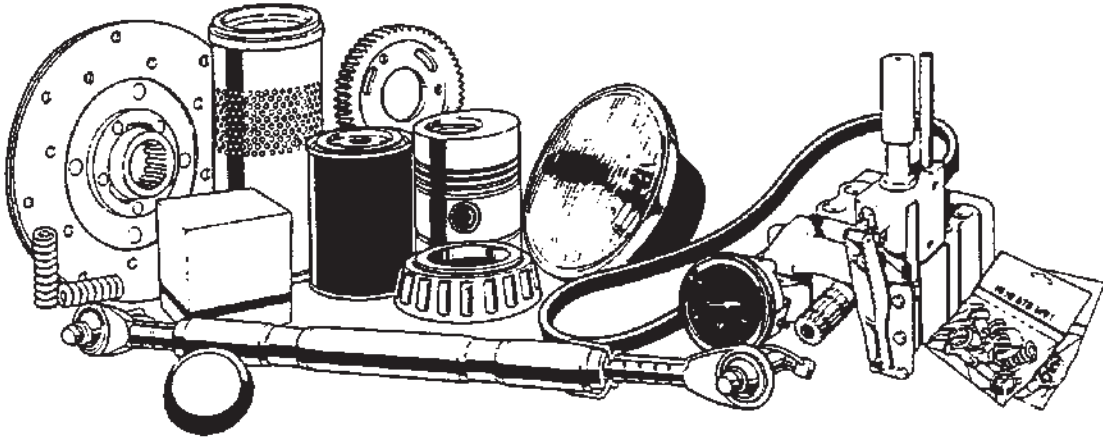
CONTINUED

NOTE: THIS PARTS STOCK LIST INDICATES
THOSE ITEMS RECOMMENDED TO
SERVICE 5 UNITS

RDL

RECOMMENDED DEALER STOCK

RECOMMENDED DEALER'S STOCK



**CH CORN HEAD
RECOMMENDED DEALER STOCK**

99

RECOMMENDED DEALER STOCK

ITEM	NUMBER	QTY	DESCRIPTION
-	355919X1	2	RING (PKG QTY)
-	70928720	2	RING, RETAINING
-	70927738	5	RING, RETAINING (PKG QTY)
-	71359168	1	RING, BEARING
-	70936494	1	RIVET, LOW PROFILE
-	70934667	6	SCREW, 5/16NC X
-	7771371	10	SCREW, FSS 5/16
-	70599697	2	SCREW, SPECIAL
-	71349858	1	SCREW, SPROCKET
-	71335690	50	SCREW, FULL THREAD (PKG QTY)
-	70936460	8	SCREW, TRUSS HEAD
-	70937160	2	SEAL, OIL
-	71353830	2	SEAL, OIL/DUST
-	71344592	2	SEAL, OIL
-	71359538	2	SEAL, OIL INPUT
-	71376825	1	SENSOR, POSITION
-	71358795	1	SHAFT ASY, INPUT
-	71390605	1	SHAFT, POINTER
-	71359164	1	SHIELD, INNER
-	71359001	2	SHIM
-	700721395	1	SNOUT (LH)
-	700721396	1	SNOUT (RH)
-	71356769	1	SPACER, FRONT
-	71356754	2	SPRING, IDLER
-	71506606	1	SPRING, CONVEYOR
-	71359163	1	SPRING, PIN
-	71389945	2	SPRING, T-PIN
-	71391292	1	SPROCKET, GATH. CHAIN
-	71137120	2	SPROCKET
-	71358003	1	SPROCKET ASY., 64T
-	71358097	1	SPROCKET, MAIN
-	71358096	1	SPROCKET, MAIN
-	71358098	1	SPROCKET, UNIT
-	71358014	1	SPROCKET, WLMT
-	71358078	1	SPROCKET, WLMT
-	71372424	1	SPROCKET, WLMT
-	71390033	1	STRIP, WEAR-LH
-	71390035	1	STRIP, WEAR-LH
-	71391277	1	STRIP, WEAR-LH
-	71390032	1	STRIP, WEAR-RH
-	71390028	1	STRIP, WEAR-RH
-	71391276	1	STRIP, WEAR-RH
-	71364182	1	SWITCH, TWO POLE
-	71382607	1	TAB
-	71358188	1	U-JOINT
-	700709141	3	WASHER
-	70937465	2	YOKE, END-ROD

NOTE: THIS PARTS STOCK LIST INDICATES
THOSE ITEMS RECOMMENDED TO
SERVICE 5 UNITS

RDL