

Challenger[®]

Parts Manual

**PH13 / PH15
PICKUP HEADERS**

EFF. S/N SP41501

ALPHABETICAL INDEX

The complete alphabetical index appears at the beginning of this publication. It is used to locate major groups, assemblies and components.

NUMERICAL INDEX

The numerical index of this publication follows the Alphabetical Index at the beginning of the publication and indicates at which grid location and page number a part number appears.

ILLUSTRATIONS

All illustrations are located on the left hand page with the text on the right. Except for some common hardware, all parts are identified with an item number which corresponds to the item column on the text page. This is followed by the parts number, quantity and description.

HARDWARE

Common hardware not identified such as bolts, nuts, cotter pins and lube fittings, are listed indented in the text beneath the item to which they attach or fit. Common hardware listed indented beneath an item is NOT included unless specified. Example: (Incl. BOLT, LOCKWASHER AND NUT).

ORDERING PARTS

Be sure to refer to both the text and the illustration to assure ordering the correct part.

RECOMMENDED DEALER STOCK

A recommended dealer stock listing appears at the end of this publication.



ACCESSORIES

PEA COULTER ASSEMBLY 73

ADAPTER PACKAGES

CONVERSION KIT 660 TO 670 71407036 75
CONVERSION KIT 670 TO 660 71407037 77

AUGER

AUGER ASSEMBLY 21
AUGER DRIVE & SUPPORT (LH) 17
AUGER SUPPORT (RH) 19

DECALS

DECAL LOCATIONS 9

DRIVES

DRIVE SHAFT 27

ELECTRICAL

EXTREMITY LIGHT ASSEMBLY 25

FRAME

FILLER PANELS & MOUNTING BRACKETS 660 COMBINE 13
FILLER PANELS & MOUNTING BRACKETS 670 COMBINE 15
TABLE ASSEMBLY 11

HYDRAULICS

HEADER HYDRAULICS 23

RAKE-UP ATTACHMENT

DRAPER AND GEAR BOX DRIVE 51
DRIVE & SPEED CONTROL 71
DRIVE END ROTOR 55
HOLDDOWN ASSEMBLY 49
HYDRAULIC CYLINDER ASSEMBLY 65
HYDRAULIC HOLDDOWN & LIFT 63
IDLER END ROTOR 57
MAIN FRAME ASSEMBLY 67
MAIN GEAR BOX 59
SHIELD ASSEMBLY 61

RECOMMENDED DEALER LIST

RECOMMENDED DEALER STOCK 79

SHIELDS

SHIELD ASSEMBLY 29

SWATHMASTER ATTACHMENT

CENTER ROLLER SUPPORT 16 FT MODELS 35
DRAPER AND SHIELD ASSEMBLY 37
HOLDDOWN ASSEMBLY 31
HYDRAULIC CYLINDER ASSEMBLY 47
HYDRAULIC HOLDDOWN & LIFT 45
PICKUP DRIVE & SPEED CONTROL 39
ROLLER, TIRE & FRAME ASSEMBLY 33
SUSPENSION ASSEMBLY 43

PH13/PH15 PICKUP HEADERS

Part No.	Page	Grid	Part No.	Page	Grid	Part No.	Page	Grid	Part No.	Page	Grid
Y705269	21	1-B 8	70913682	41	1-B 10	71379128	61	1-B 12	71392228	39	1-B 9
Y705269	23	1-B 8	70913744	41	1-B 10	71385982	27	1-B 8	71392228	67	1-B 12
Y705269	25	1-B 8	70915019	31	1-B 9	71387039	73	1-B 13	71392229	37	1-B 9
Y705269	41	1-B 10	70916622	71	1-B 13	71392123	27	1-B 8	71392229	61	1-B 12
Y705269	61	1-B 12	70916954	41	1-B 10	71392126	37	1-B 9	71392230	37	1-B 9
Y705269	71	1-B 13	70917372	31	1-B 9	71392127	37	1-B 9	71392230	61	1-B 12
Y705624	41	1-B 10	70917377	37	1-B 9	71392128	39	1-B 9	71392231	61	1-B 12
Y705624	43	1-B 10	70918267	55	1-B 11	71392128	79	1-B 13	71392232	67	1-B 12
Y705624	69	1-B 12	70918268	31	1-B 9	71392129	39	1-B 9	71392233	39	1-B 9
1077994M1	27	1-B 8	70918269	73	1-B 13	71392133	45	1-B 10	71392233	67	1-B 12
1102801	31	1-B 9	70918455	33	1-B 9	71392133	63	1-B 12	71392234	39	1-B 9
1102801	33	1-B 9	70918787	73	1-B 13	71392134	35	1-B 9	71392235	39	1-B 9
1102801	41	1-B 10	70919089	43	1-B 10	71392134	45	1-B 10	71392235	67	1-B 12
1102801	43	1-B 10	70920328	31	1-B 9	71392134	63	1-B 12	71392236	39	1-B 9
1102801	49	1-B 10	70920380	23	1-B 8	71392135	45	1-B 10	71392236	67	1-B 12
1102801	51	1-B 11	70920415	33	1-B 9	71392135	63	1-B 12	71392237	61	1-B 12
1102801	53	1-B 11	70920439	55	1-B 11	71392136	45	1-B 10	71392240	51	1-B 11
1102801	55	1-B 11	70920469	53	1-B 11	71392136	63	1-B 12	71392242	43	1-B 10
1102801	57	1-B 11	70921024	43	1-B 10	71392137	35	1-B 9	71392242	67	1-B 12
1102801	67	1-B 12	70921210	39	1-B 9	71392137	45	1-B 10	71392243	71	1-B 13
1102801	69	1-B 12	70921211	41	1-B 10	71392137	63	1-B 12	71392243	83	1-B 14
1102801	73	1-B 13	70921332	31	1-B 9	71392139	45	1-B 10	71392244	53	1-B 11
1177981	11	1-B 7	70921958	57	1-B 11	71392139	63	1-B 12	71392244	79	1-B 13
1177981	13	1-B 7	70921960	71	1-B 13	71392141	47	1-B 10	71392245	53	1-B 11
1177981	15	1-B 7	70921965	37	1-B 9	71392141	65	1-B 12	71392245	79	1-B 13
1177981	17	1-B 7	70921969	55	1-B 11	71392142	47	1-B 10	71392251	71	1-B 13
1177981	21	1-B 8	70921972	53	1-B 11	71392142	65	1-B 12	71392252	71	1-B 13
1177981	25	1-B 8	70921973	45	1-B 10	71392143	47	1-B 10	71392253	71	1-B 13
1177981	29	1-B 8	70922471	55	1-B 11	71392143	65	1-B 12	71392254	61	1-B 12
1177981	31	1-B 9	70922475	53	1-B 11	71392143	79	1-B 13	71392255	61	1-B 12
1177981	37	1-B 9	70922645	41	1-B 10	71392144	47	1-B 10	71392256	61	1-B 12
1177981	45	1-B 10	70923085	41	1-B 10	71392144	65	1-B 12	71392257	61	1-B 12
1177981	49	1-B 10	70923122	41	1-B 10	71392145	49	1-B 10	71392258	71	1-B 13
1177981	57	1-B 11	70923161	31	1-B 9	71392146	61	1-B 12	71392259	61	1-B 12
1177981	61	1-B 12	70923282	23	1-B 8	71392147	61	1-B 12	71392260	39	1-B 9
1177981	63	1-B 12	70923320	43	1-B 10	71392149	61	1-B 12	71392261	55	1-B 11
1177981	77	1-B 13	70923326	41	1-B 10	71392151	61	1-B 12	71392261	81	1-B 14
22289X	59	1-B 11	70923341	71	1-B 13	71392154	71	1-B 13	71392264	57	1-B 11
2499640W1	21	1-B 8	70923504	59	1-B 11	71392157	45	1-B 10	71392264	83	1-B 14
2499640W1	75	1-B 13	70923518	53	1-B 11	71392157	63	1-B 12	71392265	39	1-B 9
2499640W1	81	1-B 14	70923701	35	1-B 9	71392161	51	1-B 11	71392265	51	1-B 11
2500000W1	21	1-B 8	70926007	31	1-B 9	71392161	79	1-B 13	71392265	55	1-B 11
2500000W1	75	1-B 13	70926935	35	1-B 9	71392162	39	1-B 9	71392265	59	1-B 11
2500000W1	81	1-B 14	70927931	59	1-B 11	71392162	71	1-B 13	71392265	71	1-B 13
353535X1	35	1-B 9	70929094	41	1-B 10	71392163	39	1-B 9	71392265	79	1-B 13
3734883M1	27	1-B 8	70931209	37	1-B 9	71392163	71	1-B 13	71392266	55	1-B 11
390972X1	11	1-B 7	70932665	43	1-B 10	71392164	73	1-B 13	71392266	81	1-B 14
390972X1	13	1-B 7	70937219	33	1-B 9	71392164	83	1-B 14	71392267	33	1-B 9
390972X1	15	1-B 7	70950046	35	1-B 9	71392204	51	1-B 11	71392267	69	1-B 12
390972X1	17	1-B 7	70950220	33	1-B 9	71392206	33	1-B 9	71392268	33	1-B 9
390972X1	21	1-B 8	70950227	23	1-B 8	71392206	51	1-B 11	71392268	67	1-B 12
390972X1	25	1-B 8	70950229	17	1-B 7	71392211	53	1-B 11	71392269	57	1-B 11
390972X1	29	1-B 8	70950230	13	1-B 7	71392212	57	1-B 11	71392269	83	1-B 14
390972X1	77	1-B 13	70950232	17	1-B 7	71392212	81	1-B 14	71392270	33	1-B 9
61770	59	1-B 11	70950377	21	1-B 8	71392213	55	1-B 11	71392270	69	1-B 12
6580151	27	1-B 8	70950978	17	1-B 7	71392213	81	1-B 14	71392270	79	1-B 13
6581483	27	1-B 8	70950984	21	1-B 8	71392214	55	1-B 11	71392271	59	1-B 11
700703406	27	1-B 8	70950995	23	1-B 8	71392214	81	1-B 14	71392272	47	1-B 10
700703409	27	1-B 8	70951035	21	1-B 8	71392216	53	1-B 11	71392272	65	1-B 12
700703410	27	1-B 8	71328361	23	1-B 8	71392217	59	1-B 11	71392274	43	1-B 10
700707550	27	1-B 8	71328361	83	1-B 14	71392218	59	1-B 11	71392274	67	1-B 12
700708348	17	1-B 7	71358564	23	1-B 8	71392219	59	1-B 11	71392275	43	1-B 10
700708348	19	1-B 7	71358564	83	1-B 14	71392220	59	1-B 11	71392275	67	1-B 12
700717402	25	1-B 8	71359119	27	1-B 8	71392221	59	1-B 11	71392276	31	1-B 9
700717403	25	1-B 8	71359168	27	1-B 8	71392222	55	1-B 11	71392276	49	1-B 10
700717404	25	1-B 8	71359170	27	1-B 8	71392222	81	1-B 14	71392277	51	1-B 11
70327382	73	1-B 13	71359175	27	1-B 8	71392223	59	1-B 11	71392277	79	1-B 13
70327382	83	1-B 14	71359175	81	1-B 14	71392224	33	1-B 9	71392278	57	1-B 11
70327535	73	1-B 13	71365883	23	1-B 8	71392224	51	1-B 11	71392278	83	1-B 14
70327535	83	1-B 14	71365883	83	1-B 14	71392225	39	1-B 9	71392279	61	1-B 12
70327997	73	1-B 13	71374220	27	1-B 8	71392225	67	1-B 12	71392280	57	1-B 11
70327997	83	1-B 14	71374220	81	1-B 14	71392226	39	1-B 9	71392280	83	1-B 14
70328002	73	1-B 13	71379128	31	1-B 9	71392226	67	1-B 12	71392282	37	1-B 9
70328002	83	1-B 14	71379128	37	1-B 9	71392227	39	1-B 9	71392282	51	1-B 11
70913680	41	1-B 10	71379128	49	1-B 10	71392227	67	1-B 12	71392282	79	1-B 13

INDEX

Part No.	Page	Grid	Part No.	Page	Grid	Part No.	Page	Grid	Part No.	Page	Grid
71392286	57	1-B 11	71392356	73	1-B 13	71392468	79	1-B 13	71392542	41	1-B 10
71392286	83	1-B 14	71392357	37	1-B 9	71392471	17	1-B 7	71392542	45	1-B 10
71392288	31	1-B 9	71392358	37	1-B 9	71392472	23	1-B 8	71392542	53	1-B 11
71392288	49	1-B 10	71392359	39	1-B 9	71392472	45	1-B 10	71392542	59	1-B 11
71392288	83	1-B 14	71392359	79	1-B 13	71392472	63	1-B 12	71392542	63	1-B 12
71392289	31	1-B 9	71392360	39	1-B 9	71392473	39	1-B 9	71392543	45	1-B 10
71392289	49	1-B 10	71392360	79	1-B 13	71392473	71	1-B 13	71392543	63	1-B 12
71392289	83	1-B 14	71392362	37	1-B 9	71392473	79	1-B 13	71392544	31	1-B 9
71392291	49	1-B 10	71392362	79	1-B 13	71392476	47	1-B 10	71392544	33	1-B 9
71392292	31	1-B 9	71392364	31	1-B 9	71392486	47	1-B 10	71392544	41	1-B 10
71392292	49	1-B 10	71392367	41	1-B 10	71392486	65	1-B 12	71392544	43	1-B 10
71392293	31	1-B 9	71392367	83	1-B 14	71392492	31	1-B 9	71392544	49	1-B 10
71392293	49	1-B 10	71392368	17	1-B 7	71392492	45	1-B 10	71392544	53	1-B 11
71392296	31	1-B 9	71392368	19	1-B 7	71392492	49	1-B 10	71392544	67	1-B 12
71392297	31	1-B 9	71392368	81	1-B 14	71392492	63	1-B 12	71392544	69	1-B 12
71392298	31	1-B 9	71392374	21	1-B 8	71392493	21	1-B 8	71392544	73	1-B 13
71392298	49	1-B 10	71392374	81	1-B 14	71392493	75	1-B 13	71392545	33	1-B 9
71392299	31	1-B 9	71392396	21	1-B 8	71392493	81	1-B 14	71392545	51	1-B 11
71392299	49	1-B 10	71392396	81	1-B 14	71392494	73	1-B 13	71392546	71	1-B 13
71392300	31	1-B 9	71392397	21	1-B 8	71392495	33	1-B 9	71392546	83	1-B 14
71392300	49	1-B 10	71392397	81	1-B 14	71392495	69	1-B 12	71392547	45	1-B 10
71392300	83	1-B 14	71392401	17	1-B 7	71392495	79	1-B 13	71392547	57	1-B 11
71392301	31	1-B 9	71392401	19	1-B 7	71392496	33	1-B 9	71392547	63	1-B 12
71392301	49	1-B 10	71392401	81	1-B 14	71392496	69	1-B 12	71392548	57	1-B 11
71392301	83	1-B 14	71392403	21	1-B 8	71392496	79	1-B 13	71392550	33	1-B 9
71392302	43	1-B 10	71392403	81	1-B 14	71392498	33	1-B 9	71392550	51	1-B 11
71392302	67	1-B 12	71392404	17	1-B 7	71392498	69	1-B 12	71392550	73	1-B 13
71392303	45	1-B 10	71392404	83	1-B 14	71392498	79	1-B 13	71392551	31	1-B 9
71392303	63	1-B 12	71392408	43	1-B 10	71392499	33	1-B 9	71392551	49	1-B 10
71392304	31	1-B 9	71392408	67	1-B 12	71392499	69	1-B 12	71392552	55	1-B 11
71392304	49	1-B 10	71392409	43	1-B 10	71392500	33	1-B 9	71392552	59	1-B 11
71392305	31	1-B 9	71392409	67	1-B 12	71392500	69	1-B 12	71392553	59	1-B 11
71392305	49	1-B 10	71392427	21	1-B 8	71392501	33	1-B 9	71392554	73	1-B 13
71392308	37	1-B 9	71392427	81	1-B 14	71392501	69	1-B 12	71392555	55	1-B 11
71392308	53	1-B 11	71392446	45	1-B 10	71392502	43	1-B 10	71392555	81	1-B 14
71392309	71	1-B 13	71392446	63	1-B 12	71392502	67	1-B 12	71392557	33	1-B 9
71392310	71	1-B 13	71392449	23	1-B 8	71392502	79	1-B 13	71392557	69	1-B 12
71392311	61	1-B 12	71392450	23	1-B 8	71392503	31	1-B 9	71392557	79	1-B 13
71392312	73	1-B 13	71392451	37	1-B 9	71392503	49	1-B 10	71392558	17	1-B 7
71392313	73	1-B 13	71392451	51	1-B 11	71392503	83	1-B 14	71392558	73	1-B 13
71392314	73	1-B 13	71392451	79	1-B 13	71392504	33	1-B 9	71392559	33	1-B 9
71392315	73	1-B 13	71392452	37	1-B 9	71392504	69	1-B 12	71392559	51	1-B 11
71392316	73	1-B 13	71392452	79	1-B 13	71392505	57	1-B 11	71392561	25	1-B 8
71392317	73	1-B 13	71392454	53	1-B 11	71392506	37	1-B 9	71392565	11	1-B 7
71392318	73	1-B 13	71392454	79	1-B 13	71392506	57	1-B 11	71392565	13	1-B 7
71392319	73	1-B 13	71392455	33	1-B 9	71392507	37	1-B 9	71392565	15	1-B 7
71392320	73	1-B 13	71392455	39	1-B 9	71392508	25	1-B 8	71392565	21	1-B 8
71392321	73	1-B 13	71392455	51	1-B 11	71392515	31	1-B 9	71392565	29	1-B 8
71392323	53	1-B 11	71392455	79	1-B 13	71392515	49	1-B 10	71392565	77	1-B 13
71392324	43	1-B 10	71392456	39	1-B 9	71392517	25	1-B 8	71392569	21	1-B 8
71392324	67	1-B 12	71392456	51	1-B 11	71392517	81	1-B 14	71392571	17	1-B 7
71392324	79	1-B 13	71392456	79	1-B 13	71392520	27	1-B 8	71392573	17	1-B 7
71392326	57	1-B 11	71392457	55	1-B 11	71392520	83	1-B 14	71392574	13	1-B 7
71392327	43	1-B 10	71392457	57	1-B 11	71392529	37	1-B 9	71392574	15	1-B 7
71392327	67	1-B 12	71392457	81	1-B 14	71392529	39	1-B 9	71392578	17	1-B 7
71392328	53	1-B 11	71392458	55	1-B 11	71392529	57	1-B 11	71392579	17	1-B 7
71392328	57	1-B 11	71392458	81	1-B 14	71392529	79	1-B 13	71392579	19	1-B 7
71392329	55	1-B 11	71392459	57	1-B 11	71392530	37	1-B 9	71392581	21	1-B 8
71392330	57	1-B 11	71392459	59	1-B 11	71392530	51	1-B 11	71392581	75	1-B 13
71392331	39	1-B 9	71392459	83	1-B 14	71392530	79	1-B 13	71392581	77	1-B 13
71392331	51	1-B 11	71392460	59	1-B 11	71392531	37	1-B 9	71392582	11	1-B 7
71392331	79	1-B 13	71392460	83	1-B 14	71392531	61	1-B 12	71392582	13	1-B 7
71392332	59	1-B 11	71392462	17	1-B 7	71392532	37	1-B 9	71392582	15	1-B 7
71392333	53	1-B 11	71392462	81	1-B 14	71392532	61	1-B 12	71392582	17	1-B 7
71392333	55	1-B 11	71392463	21	1-B 8	71392534	73	1-B 13	71392582	21	1-B 8
71392335	33	1-B 9	71392463	81	1-B 14	71392535	41	1-B 10	71392582	25	1-B 8
71392336	33	1-B 9	71392464	17	1-B 7	71392537	31	1-B 9	71392582	77	1-B 13
71392336	79	1-B 13	71392464	81	1-B 14	71392537	49	1-B 10	71392584	17	1-B 7
71392339	33	1-B 9	71392465	21	1-B 8	71392538	33	1-B 9	71392585	17	1-B 7
71392340	33	1-B 9	71392465	81	1-B 14	71392538	69	1-B 12	71392586	17	1-B 7
71392342	33	1-B 9	71392466	51	1-B 11	71392539	33	1-B 9	71392586	19	1-B 7
71392344	33	1-B 9	71392466	79	1-B 13	71392539	69	1-B 12	71392587	11	1-B 7
71392347	37	1-B 9	71392467	73	1-B 13	71392540	57	1-B 11	71392587	21	1-B 8
71392348	37	1-B 9	71392467	83	1-B 14	71392541	57	1-B 11	71392587	23	1-B 8
71392355	39	1-B 9	71392468	39	1-B 9	71392542	33	1-B 9	71392587	25	1-B 8

PH13/PH15 PICKUP HEADERS

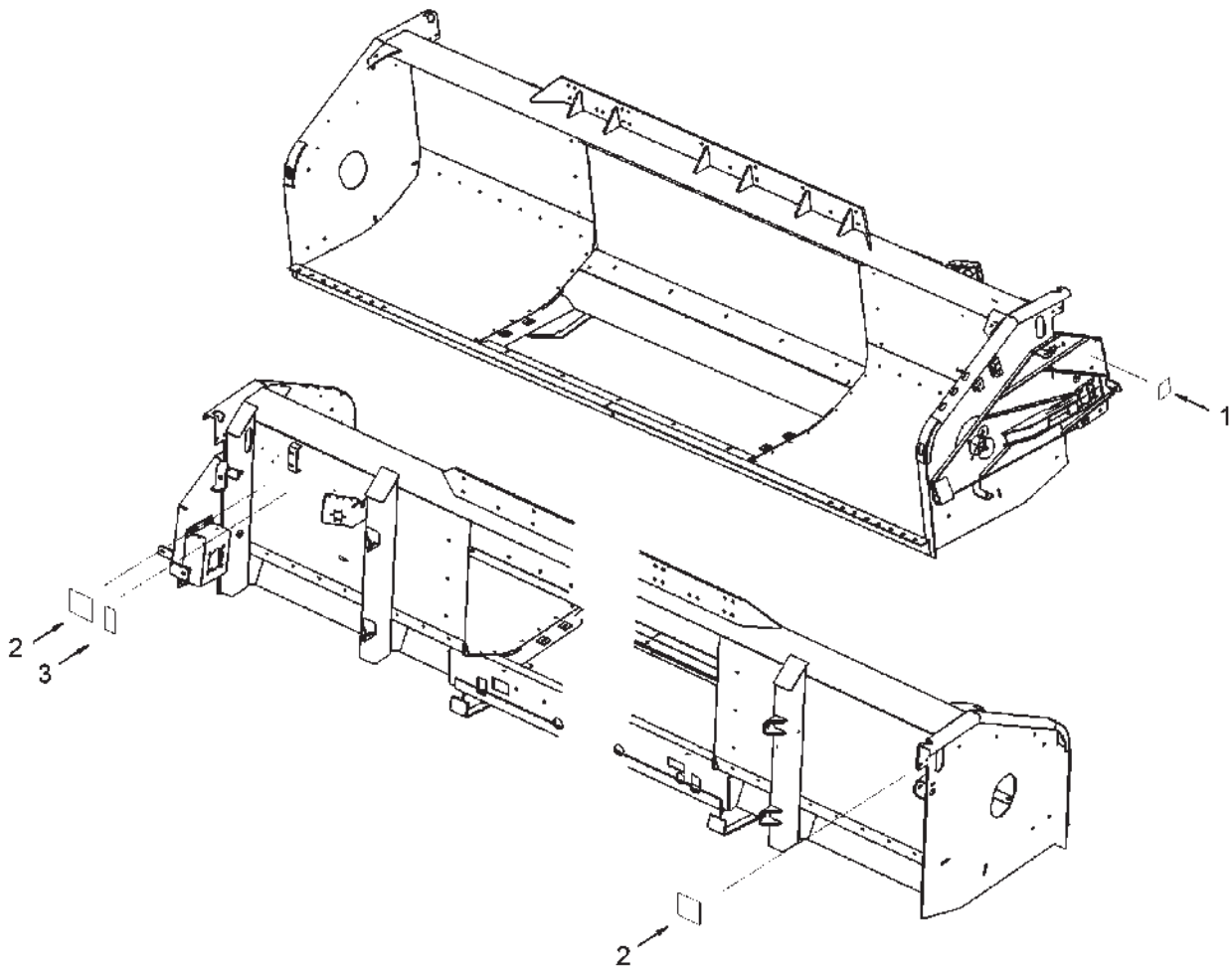
Part No.	Page	Grid	Part No.	Page	Grid	Part No.	Page	Grid	Part No.	Page	Grid
71392587	29	1-B 8	71400804	69	1-B 12	71408917	19	1-B 7	71411076	25	1-B 8
71392587	75	1-B 13	71400805	43	1-B 10	71408917	81	1-B 14	71411077	25	1-B 8
71392587	77	1-B 13	71400806	43	1-B 10	71408918	17	1-B 7	71411078	39	1-B 9
71392590	57	1-B 11	71400806	69	1-B 12	71408918	19	1-B 7	71411078	71	1-B 13
71392591	57	1-B 11	71400807	43	1-B 10	71408918	81	1-B 14	71411079	61	1-B 12
71392593	57	1-B 11	71400807	69	1-B 12	71408919	17	1-B 7	71411080	61	1-B 12
71392593	83	1-B 14	71400808	45	1-B 10	71408919	19	1-B 7	71411081	61	1-B 12
71392595	73	1-B 13	71400808	63	1-B 12	71408920	17	1-B 7	71411082	67	1-B 12
71392596	37	1-B 9	71400809	45	1-B 10	71408921	17	1-B 7	71411083	67	1-B 12
71392596	79	1-B 13	71400809	63	1-B 12	71408921	19	1-B 7	71411084	37	1-B 9
71392597	27	1-B 8	71400810	47	1-B 10	71408921	81	1-B 14	71411085	37	1-B 9
71393758	21	1-B 8	71400810	65	1-B 12	71408922	19	1-B 7	71411086	37	1-B 9
71393758	75	1-B 13	71400810	79	1-B 13	71408923	25	1-B 8	71411087	43	1-B 10
71393759	21	1-B 8	71400811	47	1-B 10	71408923	81	1-B 14	71411088	43	1-B 10
71393759	75	1-B 13	71400811	65	1-B 12	71408924	17	1-B 7	71411089	17	1-B 7
71393762	37	1-B 9	71400812	47	1-B 10	71408924	19	1-B 7	71411090	11	1-B 7
71393762	39	1-B 9	71400812	65	1-B 12	71408925	21	1-B 8	71411093	29	1-B 8
71393763	39	1-B 9	71400813	47	1-B 10	71408925	81	1-B 14	71411094	29	1-B 8
71393772	25	1-B 8	71400813	65	1-B 12	71408926	21	1-B 8	71411095	11	1-B 7
71393773	17	1-B 7	71400815	49	1-B 10	71408926	77	1-B 13	71411097	21	1-B 8
71393773	81	1-B 14	71400817	51	1-B 11	71408926	81	1-B 14	71411098	21	1-B 8
71393774	17	1-B 7	71400818	57	1-B 11	71408927	17	1-B 7	71411100	21	1-B 8
71400754	17	1-B 7	71400818	61	1-B 12	71408927	81	1-B 14	71411101	21	1-B 8
71400756	21	1-B 8	71400819	69	1-B 12	71408928	17	1-B 7	71411104	17	1-B 7
71400756	77	1-B 13	71400822	69	1-B 12	71408929	17	1-B 7	71411105	13	1-B 7
71400757	21	1-B 8	71400823	71	1-B 13	71408930	29	1-B 8	71411105	15	1-B 7
71400757	77	1-B 13	71400823	81	1-B 14	71408931	21	1-B 8	71411106	13	1-B 7
71400761	27	1-B 8	71400824	39	1-B 9	71408931	81	1-B 14	71411106	15	1-B 7
71400764	39	1-B 9	71400824	81	1-B 14	71408933	17	1-B 7	71411107	11	1-B 7
71400765	39	1-B 9	71400825	17	1-B 7	71408934	17	1-B 7	71411108	11	1-B 7
71400767	39	1-B 9	71408876	51	1-B 11	71408935	21	1-B 8	71411111	11	1-B 7
71400767	71	1-B 13	71408877	51	1-B 11	71408936	11	1-B 7	71411112	11	1-B 7
71400768	39	1-B 9	71408878	33	1-B 9	71408937	19	1-B 7	71411116	13	1-B 7
71400768	71	1-B 13	71408878	51	1-B 11	71408938	25	1-B 8	71411116	77	1-B 13
71400769	39	1-B 9	71408879	57	1-B 11	71408939	25	1-B 8	71411117	13	1-B 7
71400769	71	1-B 13	71408879	83	1-B 14	71408940	23	1-B 8	71411117	77	1-B 13
71400769	79	1-B 13	71408880	57	1-B 11	71408941	23	1-B 8	71411118	15	1-B 7
71400770	23	1-B 8	71408880	83	1-B 14	71408942	25	1-B 8	71411118	75	1-B 13
71400770	41	1-B 10	71408881	49	1-B 10	71408943	23	1-B 8	71411119	15	1-B 7
71400770	71	1-B 13	71408882	49	1-B 10	71408944	23	1-B 8	71411119	75	1-B 13
71400771	35	1-B 9	71408883	45	1-B 10	71408945	23	1-B 8	71411124	29	1-B 8
71400771	41	1-B 10	71408885	33	1-B 9	71408946	23	1-B 8	71411125	29	1-B 8
71400772	41	1-B 10	71408886	31	1-B 9	71408948	23	1-B 8	71411126	23	1-B 8
71400772	71	1-B 13	71408887	33	1-B 9	71408950	17	1-B 7	71411127	23	1-B 8
71400773	47	1-B 10	71408888	35	1-B 9	71411052	29	1-B 8	71411128	23	1-B 8
71400774	43	1-B 10	71408889	33	1-B 9	71411053	23	1-B 8	71411130	21	1-B 8
71400774	69	1-B 12	71408890	33	1-B 9	71411054	23	1-B 8	71411131	21	1-B 8
71400776	71	1-B 13	71408891	35	1-B 9	71411055	23	1-B 8	71411132	17	1-B 7
71400777	71	1-B 13	71408892	35	1-B 9	71411056	21	1-B 8	71411133	11	1-B 7
71400781	49	1-B 10	71408893	35	1-B 9	71411056	75	1-B 13	71411134	11	1-B 7
71400782	49	1-B 10	71408894	35	1-B 9	71411056	77	1-B 13	71411135	11	1-B 7
71400783	39	1-B 9	71408895	35	1-B 9	71411057	17	1-B 7	71411136	11	1-B 7
71400783	71	1-B 13	71408896	35	1-B 9	71411057	29	1-B 8	71411139	23	1-B 8
71400783	79	1-B 13	71408897	35	1-B 9	71411058	17	1-B 7	71411140	23	1-B 8
71400784	27	1-B 8	71408898	35	1-B 9	71411058	19	1-B 7	71411141	19	1-B 7
71400789	31	1-B 9	71408899	35	1-B 9	71411059	17	1-B 7	71411142	17	1-B 7
71400791	33	1-B 9	71408900	35	1-B 9	71411059	19	1-B 7	71411142	83	1-B 14
71400792	37	1-B 9	71408901	35	1-B 9	71411060	19	1-B 7	71411143	23	1-B 8
71400792	61	1-B 12	71408902	35	1-B 9	71411061	17	1-B 7	71411144	23	1-B 8
71400793	39	1-B 9	71408903	35	1-B 9	71411062	17	1-B 7	71411145	23	1-B 8
71400793	67	1-B 12	71408904	31	1-B 9	71411064	23	1-B 8	71411146	17	1-B 7
71400794	39	1-B 9	71408905	35	1-B 9	71411065	29	1-B 8	71411147	23	1-B 8
71400794	41	1-B 10	71408906	35	1-B 9	71411066	19	1-B 7	71411148	23	1-B 8
71400794	71	1-B 13	71408907	71	1-B 13	71411067	17	1-B 7	71411149	23	1-B 8
71400795	71	1-B 13	71408908	43	1-B 10	71411068	13	1-B 7	71411150	41	1-B 10
71400796	41	1-B 10	71408908	67	1-B 12	71411068	15	1-B 7	71411150	71	1-B 13
71400796	71	1-B 13	71408909	43	1-B 10	71411068	17	1-B 7	71411726	23	1-B 8
71400797	43	1-B 10	71408909	67	1-B 12	71411068	21	1-B 8	71411727	23	1-B 8
71400797	67	1-B 12	71408910	31	1-B 9	71411069	17	1-B 7	71411728	17	1-B 7
71400798	43	1-B 10	71408911	35	1-B 9	71411071	23	1-B 8	71411728	81	1-B 14
71400798	67	1-B 12	71408912	35	1-B 9	71411072	29	1-B 8	71411729	27	1-B 8
71400798	79	1-B 13	71408913	35	1-B 9	71411073	17	1-B 7	71411730	27	1-B 8
71400799	43	1-B 10	71408914	17	1-B 7	71411073	19	1-B 7	71411731	9	1-B 6
71400799	67	1-B 12	71408914	79	1-B 13	71411074	29	1-B 8	71411732	9	1-B 6
71400804	43	1-B 10	71408917	17	1-B 7	71411075	29	1-B 8	71411733	9	1-B 6

PH13/PH15 PICKUP HEADERS

Part No.	Page	Grid	Part No.	Page	Grid	Part No.	Page	Grid	Part No.	Page	Grid
----------	------	------	----------	------	------	----------	------	------	----------	------	------

PH13/PH15 PICKUP HEADERS
DECALS

DECAL LOCATIONS



**PH13/PH15 PICKUP HEADERS
DECALS**

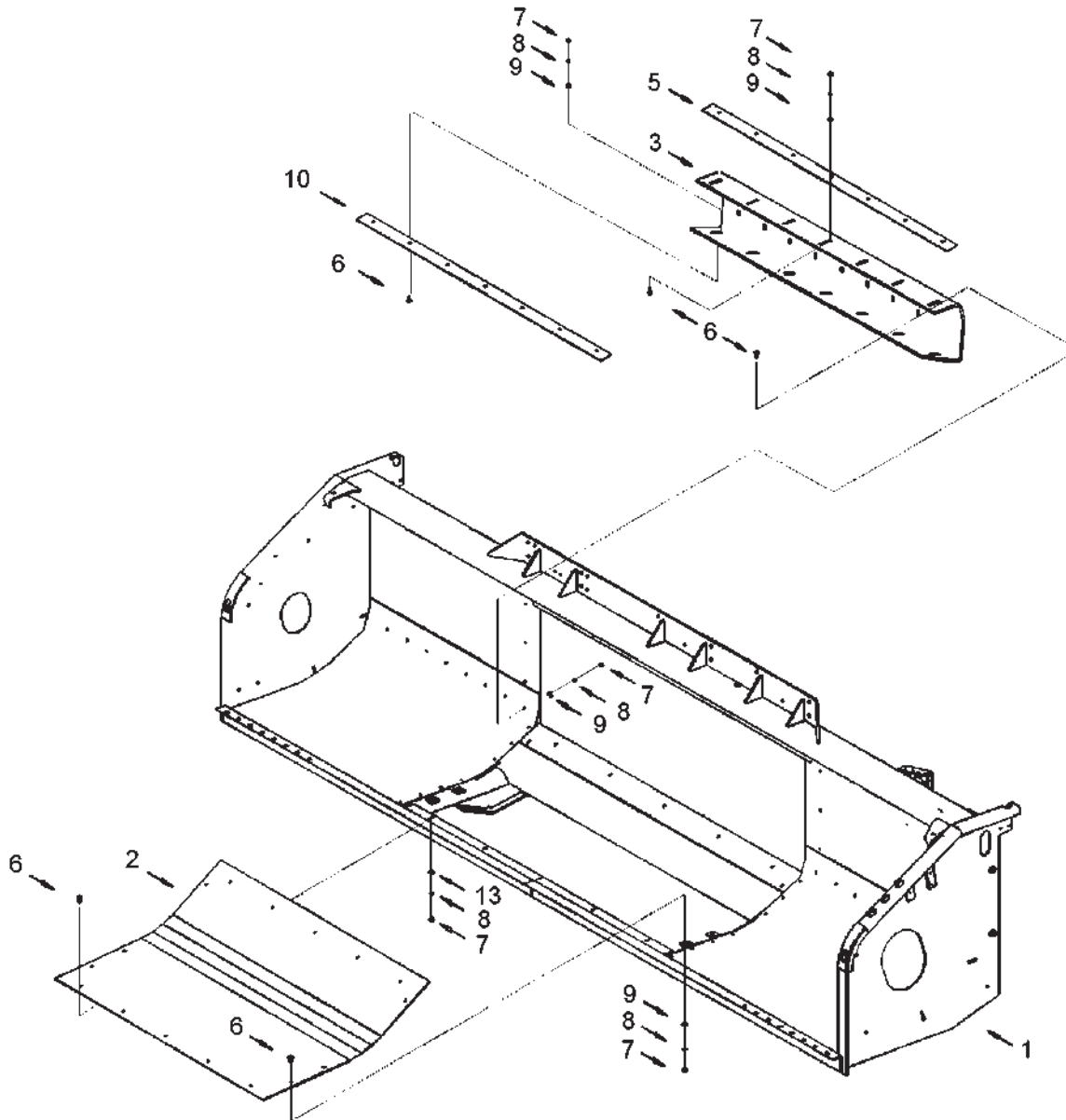
DECAL LOCATIONS

ITEM	NUMBER	QTY	DESCRIPTION
1	71411732	1	DECAL, DANGER (BELT/CHAIN)
2	71411731	2	DECAL, DANGER (HEADER FALLING)
3	71411733	1	DECAL, WARNING (ROTATING DRIVE LINE)

D00682
PR: t05h23i05d0001

PH13/PH15 PICKUP HEADERS
FRAME

TABLE ASSEMBLY



**PH13/PH15 PICKUP HEADERS
FRAME**

11

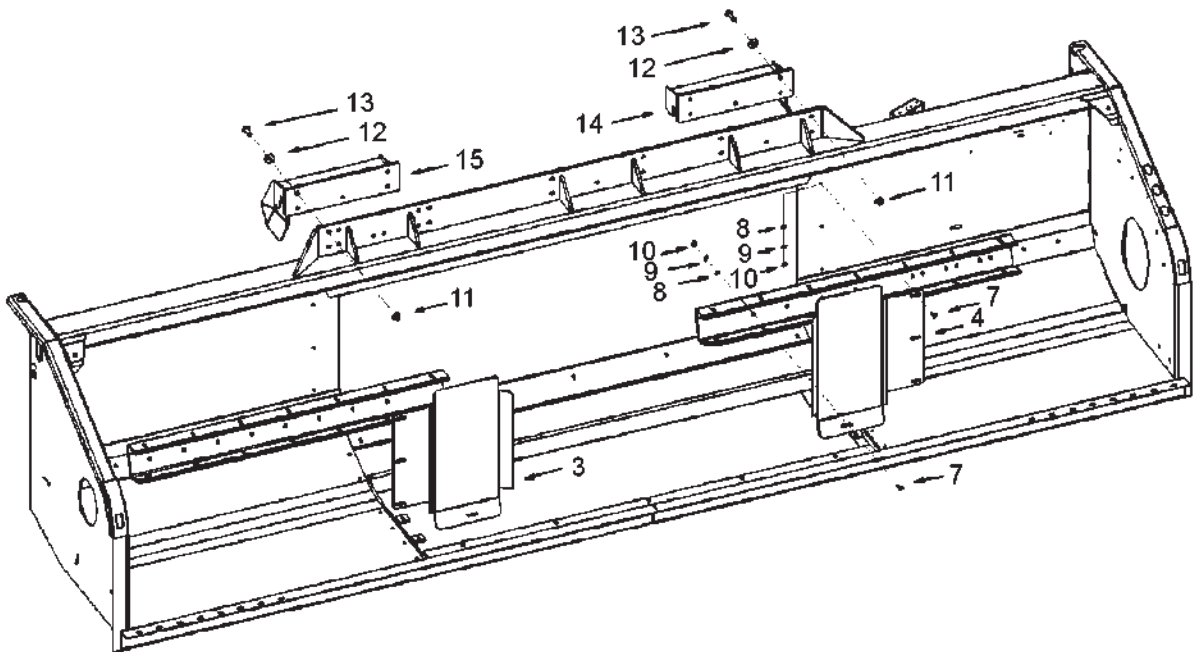
TABLE ASSEMBLY

ITEM	NUMBER	QTY	DESCRIPTION
1	71411090	1	FRAME, HEADER (13') W/DECALS
	71411095	1	FRAME, HEADER (15') W/DECALS
2	71408936	1	PANEL, FLOOR, CENTER
3	71411111	1	BRACKET, STRIPPER BAR, RH (13')
	71411135	1	BRACKET, STRIPPER BAR, RH (15')
	71411112	1	BRACKET, STRIPPER BAR, LH (13')
	71411136	1	BRACKET, STRIPPER BAR, LH (15')
	71411107	2	BAR, STRIPPER, UPPER (13')
5	71411133	2	BAR, STRIPPER, UPPER (15')
	71392565	AR	BOLT, CARRIAGE M8 X 1.25 X 25MM
6		55	13' MODEL (660)
		57	13' MODEL (670)
		62	15' MODEL (660)
		64	15' MODEL (670)
	7	71392582	AR
7		55	13' MODEL (660)
		57	13' MODEL (670)
		62	15' MODEL (660)
		64	15' MODEL (670)
8	1177981	AR	LOCKWASHER, M8
		55	13' MODEL (660)
		57	13' MODEL (670)
		62	15' MODEL (660)
		64	15' MODEL (670)
9	390972X1	AR	WASHER, FLAT, M8
		50	13' MODEL (660)
		52	13' MODEL (670)
		57	15' MODEL (660)
		59	15' MODEL (670)
10	71411108	2	BAR, STRIPPER, LOWER (13')
	71411134	2	BAR, STRIPPER, LOWER (15')
13	71392587	5	WASHER, FLAT 6MM, LARGE O.D.

D00669M1
PR: t05h23i05d0002

PH13/PH15 PICKUP HEADERS
FRAME

FILLER PANELS & MOUNTING BRACKETS
660 COMBINE



**PH13/PH15 PICKUP HEADERS
FRAME**

13

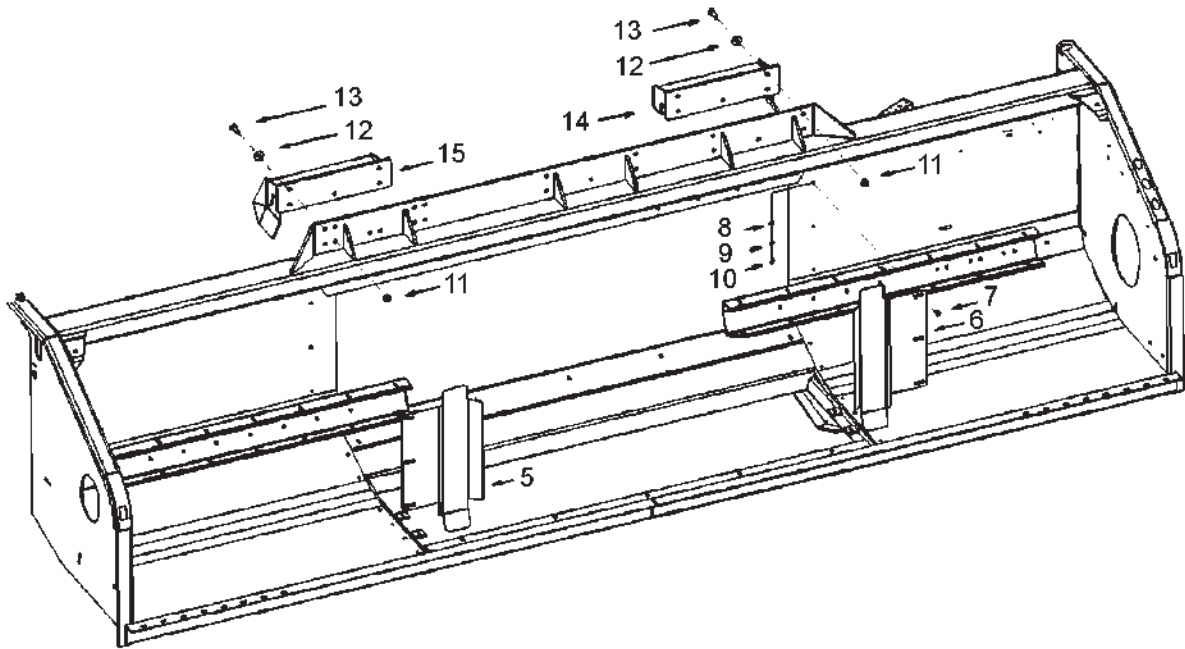
**FILLER PANELS & MOUNTING BRACKETS
660 COMBINE**

ITEM	NUMBER	QTY	DESCRIPTION
3	71411116	1	PANEL, FILLER, RH
4	71411117	1	PANEL, FILLER, LH
7	71392565	8	BOLT, CARRIAGE M8 X 1.25 X 25MM
8	390972X1	8	WASHER, FLAT, M8
9	1177981	8	LOCKWASHER, M8
10	71392582	8	NUT, HEX M8 X 1.25
11	71411068	10	NUT, M12, FLANGE UNITORQUE
12	70950230	10	WASHER, FLAT, M12
13	71392574	10	BOLT, M12 X 1.75 X 40
14	71411106	1	BRACKET, HOOK UP, LH
15	71411105	1	BRACKET, HOOK UP, RH

D00680M1
PR: t05h23i05d0003

PH13/PH15 PICKUP HEADERS
FRAME

FILLER PANELS & MOUNTING BRACKETS
670 COMBINE



**PH13/PH15 PICKUP HEADERS
FRAME**

15

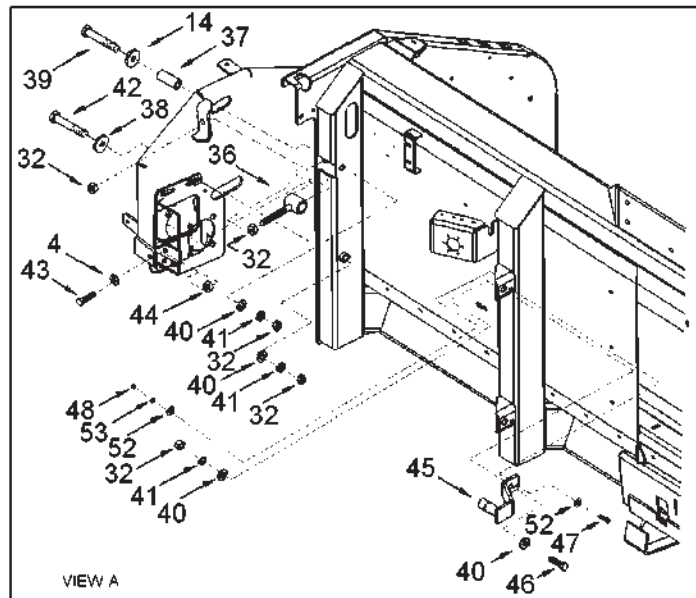
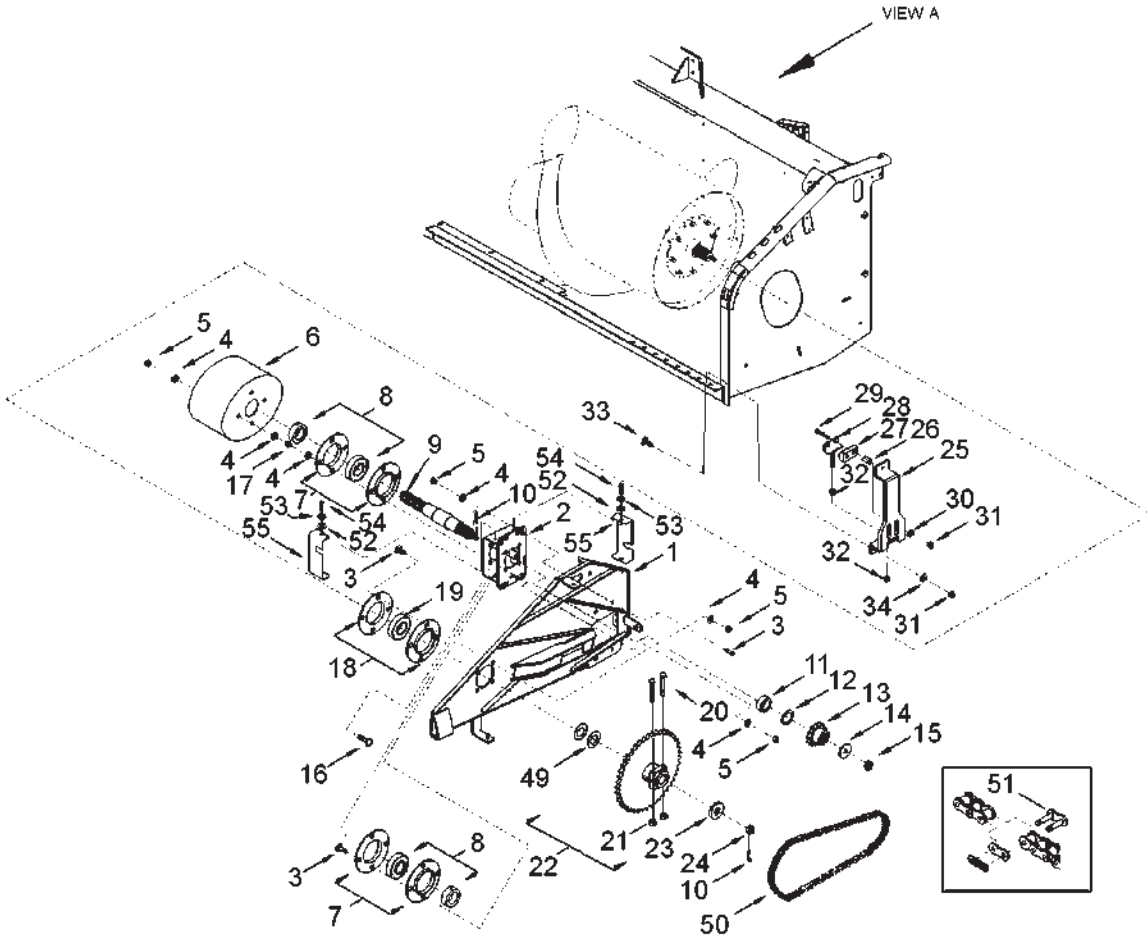
**FILLER PANELS & MOUNTING BRACKETS
670 COMBINE**

ITEM	NUMBER	QTY	DESCRIPTION
5	71411118	1	PANEL, FILLER, RH
6	71411119	1	PANEL, FILLER, LH
7	71392565	6	BOLT, CARRIAGE M8 X 1.25 X 25MM
8	390972X1	6	WASHER, FLAT, M8
9	1177981	6	LOCKWASHER, M8
10	71392582	6	NUT, HEX M8 X 1.25
11	71411068	10	NUT, M12, FLANGE UNITORQUE
12	70950230	10	WASHER, FLAT, M12
13	71392574	10	BOLT, M12 X 1.75 X 40
14	71411106	1	BRACKET, HOOK UP, LH
15	71411105	1	BRACKET, HOOK UP, RH

D00680M2
PR: t05h23i05d0004

PH13/PH15 PICKUP HEADERS
AUGER

AUGER DRIVE & SUPPORT (LH)



**PH13/PH15 PICKUP HEADERS
AUGER**

17

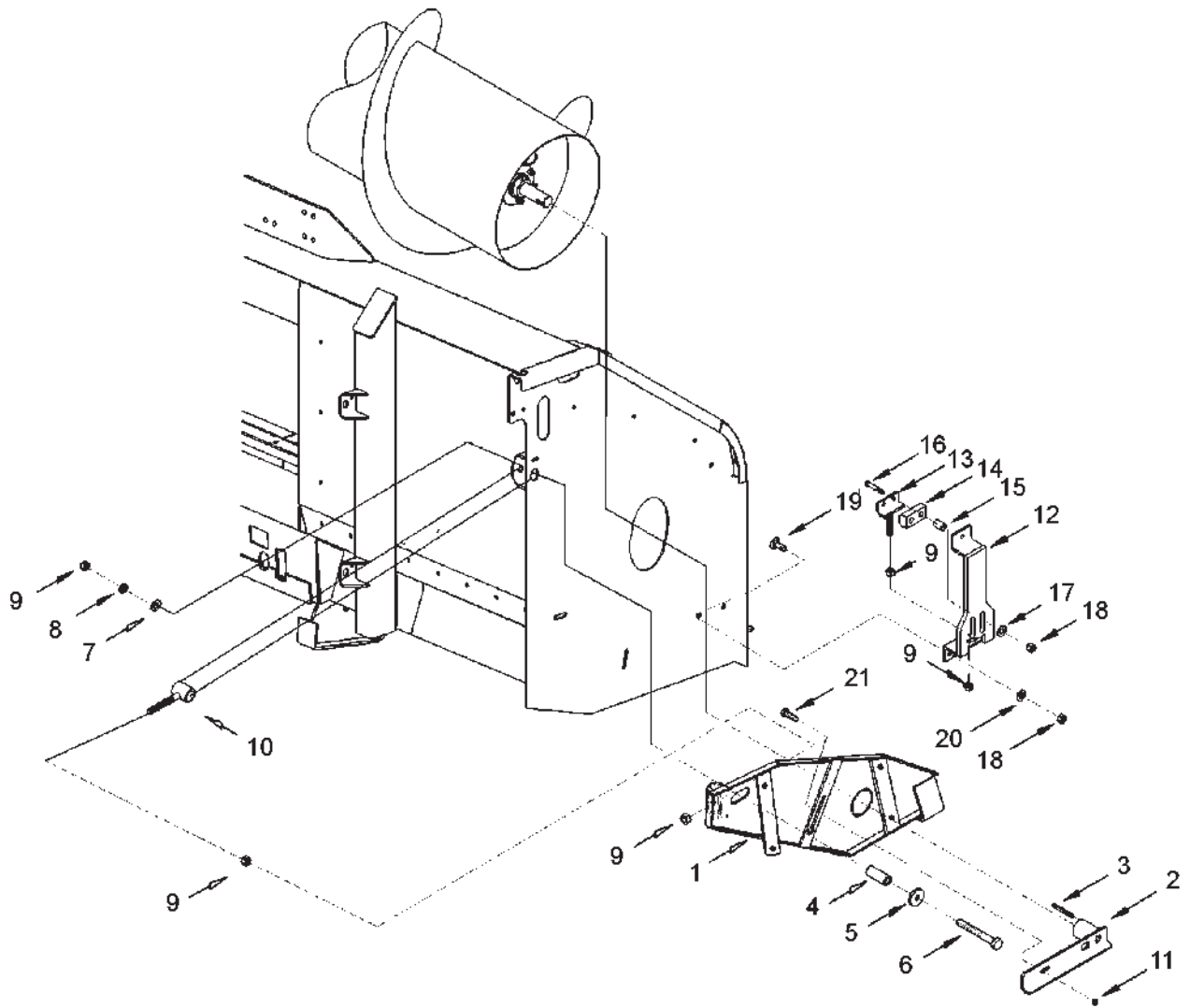
AUGER DRIVE & SUPPORT (LH)

ITEM	NUMBER	QTY	DESCRIPTION
1	71411089	1	ARM ASY., AUGER LH (W/DECAL)
2	71411104	1	SUPPORT, DRIVE SHAFT
3	71392571	12	BOLT, CARRIAGE M12 X 1.75 X 30MM
4	70950230	24	WASHER, FLAT, M12
5	71392585	16	NUT, LOCKING, M12 X 1.75
6	71408934	1	SHIELD
7	71392464	2	FLANGE, 4 BOLT
8	71392462	2	BEARING (40MM BORE)
9	71408927	1	SHAFT, HEADER
10	71392558	2	PIN, COTTER, 1/8 X 1-3/4
11	71408928	1	SPACER, DRIVE SHAFT
12	71408929	7	SHIM
13	71392404	1	SPROCKET, 16 TEETH
	71408914	1	SPROCKET, 13 TEETH (OPTIONAL)
14	71408919	2	WASHER, AUGER PIVOT
15	71411069	1	NUT, M16 X 2, SLOTTED
16	71392573	4	BOLT, CARRIAGE M12 X 1.75 X 45MM
17	71392584	4	NUT, M12 X 1.75
18	71400754	1	FLANGE, PAIR, 4 BOLT
19	71393773	1	BEARING, 45MM BORE
20	71411061	2	BOLT, M12 X 1.75 X 90
21	71411068	2	NUT, M12, FLANGE UNITORQUE
22	71411728	1	SPROCKET (W/HARDWARE)
23	71408933	1	WASHER, THRUST
24	71408950	1	NUT, 1-1/8-12 UNF, SLOTTED
25	71408921	1	LEVER, FINGER ADJ. ARM
26	71408924	2	BUSHING, SPACER
27	71392401	1	STOPPER, RUBBER
28	71392368	1	ADJUSTER, LOWER LIMIT
29	71411059	2	BOLT, M10 X1.5 X 60
30	71411073	2	WASHER, FLAT, M10 ID LARGE O.D.
31	70950978	5	LOCKNUT, M10 X 1.5
32	71392586	7	NUT, M16 X 2
33	71411058	3	BOLT, CARRIAGE, M10 X 1.5 X 30
34	70950229	3	WASHER, FLAT, M10
36	71408917	1	EYE BOLT, PLATED
37	71408918	1	SPACER, AUGER PIVOT
38	71408920	1	WASHER, THRUST
39	71392579	1	BOLT, M16 X 2 X 110MM
40	70950232	4	WASHER, FLAT, M16
41	700708348	3	LOCKWASHER, M16
42	71392578	1	BOLT, M16 X 2 X 120MM
43	71411062	1	BOLT, M12 X 1.75 X 80
44	71411067	1	NUT, M12 X 1.75, JAM
45	71411146	1	BRACKET, DRIVE SHAFT STORAGE
47	71411057	1	BOLT, M8 X 1.25 X 35
48	71392582	1	NUT, HEX M8 X 1.25
49	71393774	2	SHIM, PLATED
50	71411142	1	CHAIN, #60 (103 LINKS)
51	71392471	1	LINK, CHAIN CONNECTOR, #60
52	390972X1	6	WASHER, FLAT, M8
53	1177981	5	LOCKWASHER, M8
54	71400825	4	BOLT, M8 X1.25 X 25
55	71411132	2	SHIELD, DRIVE SHAFT SUPPORT

D00671
PR: t05h23i05d0005

PH13/PH15 PICKUP HEADERS
AUGER

AUGER SUPPORT (RH)



PH13/PH15 PICKUP HEADERS
AUGER

19

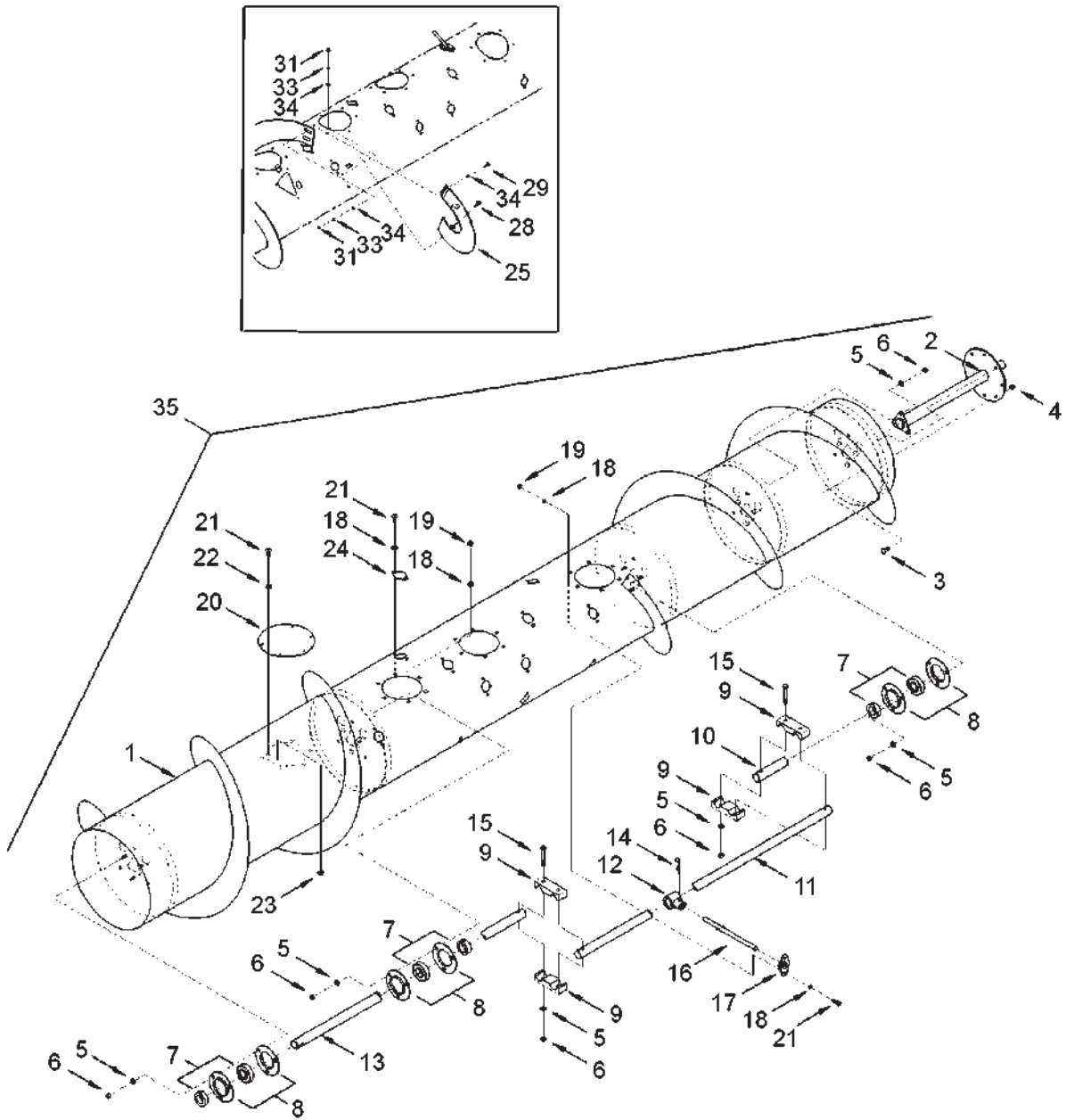
AUGER SUPPORT (RH)

ITEM	NUMBER	QTY	DESCRIPTION
1	71408937	1	SUPPORT ARM, RH AUGER
2	71408922	1	LEVER, FINGER CRANK
3	71411141	1	KEY, 10MM X 8MM X 60MM
4	71408918	1	SPACER, AUGER PIVOT
5	71408919	1	WASHER, AUGER PIVOT
6	71392579	1	BOLT, M16 X 2 X 110MM
7	70950232	1	WASHER, FLAT, M16
8	700708348	1	LOCKWASHER, M16
9	71392586	5	NUT, M16 X 2
10	71408917	1	EYE BOLT, PLATED
11	71411066	1	NUT, FLANGE TOP LOCK, M10 X 1.5
12	71408921	1	BRACKET, AUGER SUPPORT
13	71392368	1	ADJUSTER, LOWER LIMIT
14	71392401	1	STOPPER, RUBBER
15	71408924	2	BUSHING, SPACER
16	71411059	2	BOLT, M10 X1.5 X 60
17	71411073	2	WASHER, FLAT, M10 ID LARGE O.D.
18	70950978	5	LOCKNUT, M10 X 1.5
19	71411058	3	BOLT, CARRIAGE, M10 X 1.5 X 30
20	70950229	3	WASHER, FLAT, M10
21	71411060	1	BOLT, M10 X 1.5 X 30

D00672
PR: t05h23i05d0006

PH13/PH15 PICKUP HEADERS
AUGER

AUGER ASSEMBLY



**PH13/PH15 PICKUP HEADERS
AUGER**

21

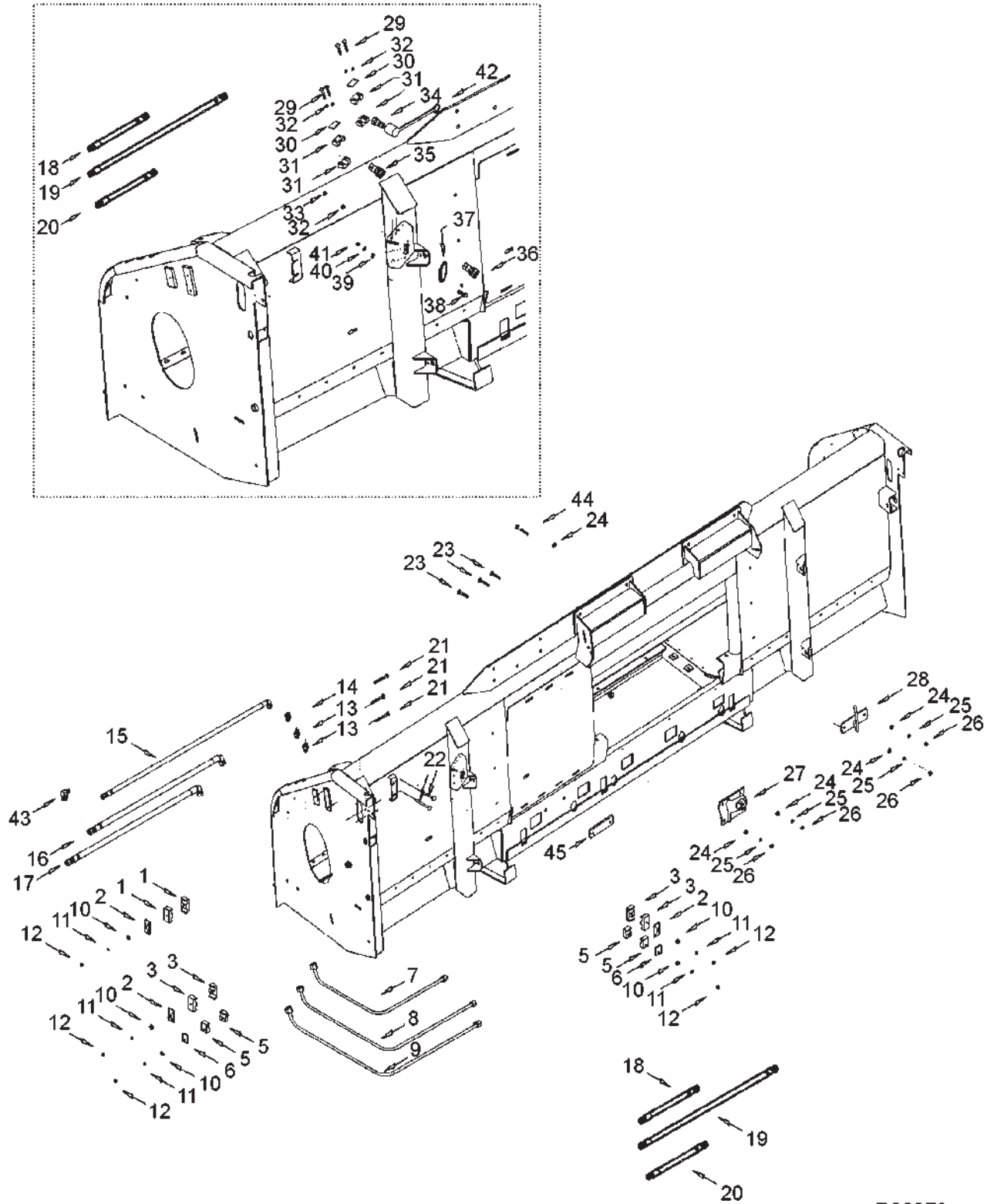
AUGER ASSEMBLY

ITEM	NUMBER	QTY	DESCRIPTION
1	71411130	1	AUGER WELDMENT (13')
	71411131	1	AUGER WELDMENT (15')
2	71408931	1	SHAFT ASY., AUGER DRIVE
3	70950377	8	BOLT, M12 X 1.75 X 30MM
4	71411068	8	NUT, M12, FLANGE UNITORQUE
5	70950229	16	WASHER, FLAT, M10
6	70950978	16	LOCKNUT, M10 X 1.5
7	71392463	3	BEARING (1-3/8" BORE)
8	71392465	3	FLANGE, 3 BOLT
9	71392374	4	CLAMP, FINGER SUPPORT, 1-3/8
10	71392403	1	SHAFT, STUB, AUGER
11	71392396	1	SHAFT, FINGER SUPPORT
12	71392427	22	HOLDER, FINGER, 1-3/8" BORE
13	71408925	1	SHAFT, AUGER CRANK (13')
13	71408935	1	SHAFT, AUGER CRANK (15')
14	71392493	16	PIN, HITCH, 3/16 W.,.87-1.25 (660) (QTY. 20 FOR 670)
15	71392569	4	BOLT, M10 X 1.5 X 75
16	2499640W1	16	FINGER, AUGER (660) (QTY. 20 FOR 670)
17	2500000W1	16	GUIDE, AUGER FINGER (660) (QTY. 20 FOR 670)
18	71392587	96	WASHER, FLAT 6MM, LARGE O.D.
19	70950984	50	NUT, LOCK M6 X 1
20	71392397	5	COVER, HAND HOLE
21	71411056	78	BOLT, M6 X 1 X 20
22	Y705269	30	LOCKWASHER, M6
23	71392581	30	NUT, ANCHOR M6 X 1
24	71408926	4	COVER, FINGER HOLE (670) (QTY. 8 FOR 660)
25	71400756	1	FLIGHTING, EXTENSION, LH (660)
25	71393758	1	FLIGHTING, EXTENSION, MED LH (670)
	71400757	1	FLIGHTING EXT., RH (660)(NOT SHOWN)
	71393759	1	FLIGHTING EXT., MED RH (670)(NOT SHOWN)
28	71392565	8	BOLT, CARRIAGE M8 X 1.25 X 25MM (670) (QTY. 12 FOR 660)
29	70951035	4	SCREW, BUTTON HEAD HEX M8X1.25X25MM
31	71392582	12	NUT, HEX M8 X 1.25 (670) (QTY. 16 FOR 660)
33	1177981	12	LOCKWASHER, M8 (670) (QTY. 16 FOR 660)
34	390972X1	16	WASHER, FLAT, M8 (670) (QTY. 20 FOR 660)
35	71411097	1	AUGER ASY. (13') (660)
35	71411098	1	AUGER ASY. (13') (670)
35	71411100	1	AUGER ASY. (15') (660)
35	71411101	1	AUGER ASY. (15') (670)

D00678M1
PR: t05h23i05d0007

PH13/PH15 PICKUP HEADERS HYDRAULICS

HEADER HYDRAULICS



**PH13/PH15 PICKUP HEADERS
HYDRAULICS**

23

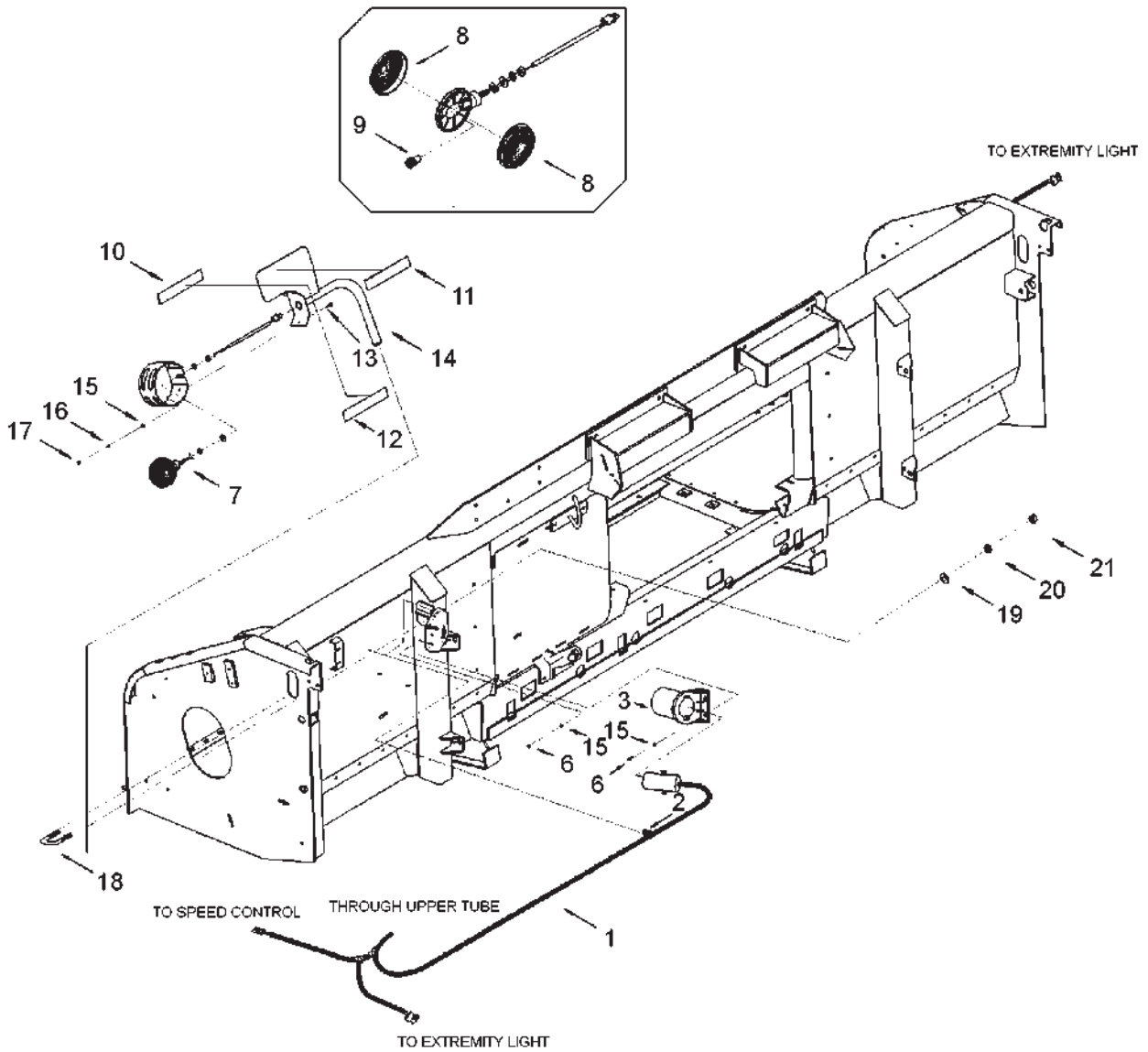
HEADER HYDRAULICS

ITEM	NUMBER	QTY	DESCRIPTION
1	71408948	1	CLAMP HYDRAULIC LINE
2	71408944	3	PLATE, CLAMP COVER, STAUFF GD-2D (13') (QTY. 4 FOR 15')
3	71408943	2	CLAMP, TUBE, STAUFF 2127/127D PP (13') (QTY. 3 FOR 15')
5	71408945	2	CLAMP, TUBE (13') (QTY. 3 FOR 15')
6	71408946	2	PLATE, CLAMP COVER PLATE (13') (QTY. 3 FOR 15')
7	71411143	1	LINE, HYDRAULIC, MOTOR, UPPER (13')
	71411147	1	LINE, HYDRAULIC, MOTOR, UPPER (15')
8	71411144	1	LINE, HYDRAULIC, MOTOR, LOWER (13')
	71411148	1	LINE, HYDRAULIC, MOTOR, LOWER (15')
9	71411145	1	LINE, HYDRAULIC, HOLDDOWN (13')
	71411149	1	LINE, HYDRAULIC, HOLDDOWN (15')
10	71392587	5	WASHER, FLAT 6MM, LARGE O.D. (13') (QTY. 7 FOR 15')
11	Y705269	5	LOCKWASHER, M6 (13') (QTY. 7 FOR 15')
12	70950995	5	NUT, LOCK M6 X 1 (13') (QTY. 7 FOR 15')
13	71408940	2	UNION, #8 JIC
14	71408941	1	UNION, SAE070101
15	71411726	1	HOSE, HYD. HOLDDOWN
16	71411727	1	HOSE, HEADER
17	71411727	1	HOSE, HEADER
18	71411126	1	HOSE, SUPPLY
19	71411128	1	HOSE, RETURN
20	71411127	1	HOSE, HOLDDOWN
21	71411055	3	BOLT, CARRIAGE M6 X 1 X 60
22	71411054	2	BOLT, CARRIAGE M6 X 1 X 50 (13') (QTY. 4 FOR 15')
29	70923282	4	BOLT, 1/4 X 2-1/2 UNC
30	71392449	2	PLATE, HOSE CLAMP TOP
31	71392450	2	CLAMP, HYCON PAIR, 22MM
32	70920380	8	WASHER, FLAT, 1/4
33	71400770	4	NUT, 1/4 UNC, NYLOCK
34	71328361	1	COUPLER, 1/4 M X 3/8 NPT
35	71358564	1	COUPLER, WING TYPE MALE
36	71365883	1	COUPLER, WING TYPE FEMALE
37	71411139	1	FLANGE, COUPLER STORAGE
38	71411053	6	BOLT, M5 X 0.8 X 20
39	70950227	6	WASHER, FLAT, M6
40	71411071	6	LOCKWASHER, M5
41	71411064	6	NUT, M5 X 0.8
42	71411140	1	DUST CAP, QUICK COUPLER
43	71392472	1	ELBOW, #6 M ORB X #6 M JIC
44	-----	--	NOT USED ON THIS APPLICATION
45	-----	--	NOT USED ON THIS APPLICATION

D00679
PR: t05h23i05d0008

PH13/PH15 PICKUP HEADERS
ELECTRICAL

EXTREMITY LIGHT ASSEMBLY



PH13/PH15 PICKUP HEADERS
ELECTRICAL

25

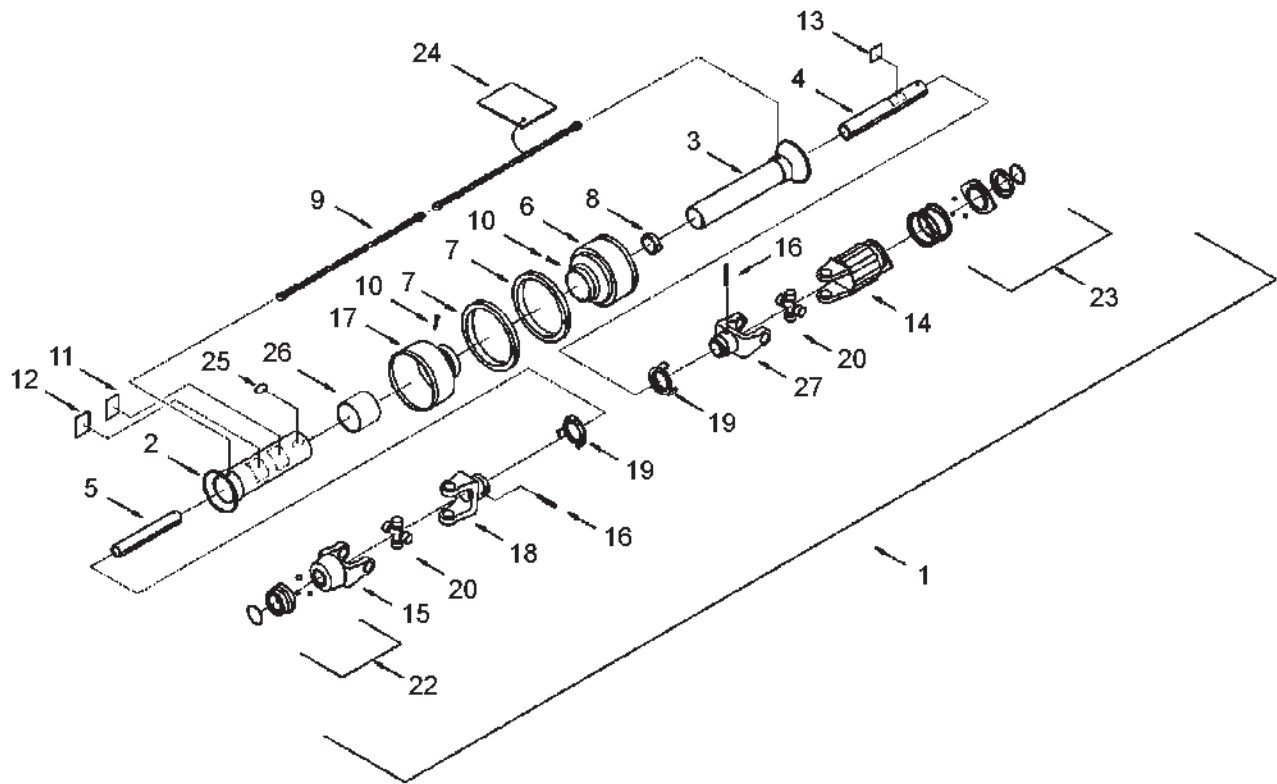
EXTREMITY LIGHT ASSEMBLY

ITEM	NUMBER	QTY	DESCRIPTION
1	71408938	1	HARNESS, WIRE (13')
	71408939	1	HARNESS, WIRE (15')
2	71408942	5	CLAMP, 1/2, LOOM (13') (QTY. 6 FOR 15')
3	71393772	1	CAP, PLUG STORAGE
6	70950984	2	NUT, LOCK M6 X 1
7	71408923	2	LIGHT ASY.
8	71392517	4	LENS (AMBER)
9	71411766	2	BULB 12V-21W SINGLE FILAMENT
10	700717403	2	DECAL, REFLECTIVE (YELLOW)
11	700717402	2	DECAL, REFLECTIVE (RED)
12	700717404	2	DECAL, REFLECTIVE (ORANGE)
13	71392561	8	BOLT, M6 X 1 X 16MM
14	71411076	1	LIGHT BRACKET, LH, W/DECALS
	71411077	1	LIGHT BRACKET, RH, W/DECALS
15	71392587	8	WASHER, FLAT 6MM, LARGE O.D.
16	Y705269	6	LOCKWASHER, M6
17	70950995	6	NUT, LOCK M6 X 1
18	71392508	2	U-BOLT, M8X1.25, W=37MM, L=55MM
19	390972X1	4	WASHER, FLAT, M8
20	1177981	4	LOCKWASHER, M8
21	71392582	4	NUT, HEX M8 X 1.25

D00681
PR: t05h23i05d0009

PH13/PH15 PICKUP HEADERS
DRIVES

DRIVE SHAFT



**PH13/PH15 PICKUP HEADERS
DRIVES**

27

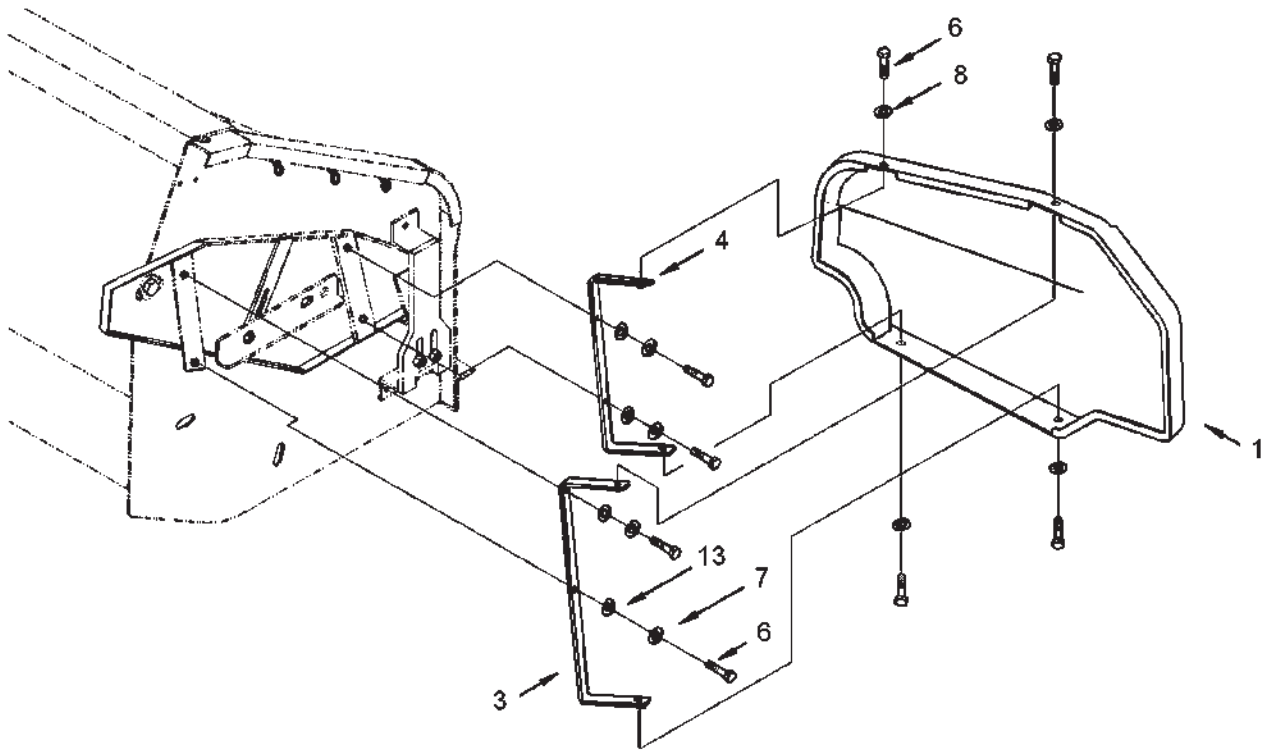
DRIVE SHAFT

ITEM	NUMBER	QTY	DESCRIPTION
1	71411734	1	DRIVESHAFT ASY. (13')
	71411737	1	DRIVESHAFT ASY. (15')
2	71411751	1	SHIELD, OUTER TUBE (13')
	71411753	1	SHIELD, OUTER TUBE (15')
3	71411752	1	SHIELD, INNER TUBE (13')
	71411754	1	SHIELD, INNER TUBE (15')
4	71411750	1	TUBE, OUTER (13')
	71411741	1	TUBE, OUTER (15')
5	71411749	1	TUBE, INNER (13')
	71411742	1	TUBE, INNER (15')
6	71411739	1	SHIELD, 5 RIB (BLACK)
7	3734883M1	2	COLLAR, REINFORCING
8	700707550	1	BEARING, SUPPORT
9	8800567	2	SAFETY CHAIN
10	1077994M1	2	SCREW
11	71411729	1	DECAL, DANGER (13')
	71359170	1	DECAL, DANGER (15')
12	71411730	1	DECAL, EUROPEAN (13')
	71400761	1	DECAL, EUROPEAN (15')
13	71359119	1	DECAL (MISSING GUARD)
14	71392520	1	CLUTCH ASSEMBLY
	700703406	24	PIN, CLUTCH
	6581483	24	SPRING, OUTER
	700703409	11	SPRING, INNER
	700703410	1	SEAL, BI-DIRECTIONAL
15	71385982	1	YOKE, 1-3/8-21
16	71392597	2	PIN, SPRING 10MM X 65MM
17	71411748	1	SHIELD CONE, 7 RIB
18	6580151	1	YOKE, INBOARD
19	71359168	2	BEARING, SHIELD RING
20	71411738	2	U-JOINT
22	71359175	1	KIT, REPAIR QCK DISCONNECT (W/QCK DISCONNECT LOCK, BALL TYPE CPL)
23	71374220	1	KIT, REPAIR QUICK DISCONNECT SLIDE COLLAR, ASGE
24	-----	1	CERTIFICATE
25	71400784	1	DECAL, CE MARK
26	71411747	1	COVER, LUBE SLOT
27	71392123	1	YOKE, INBOARD

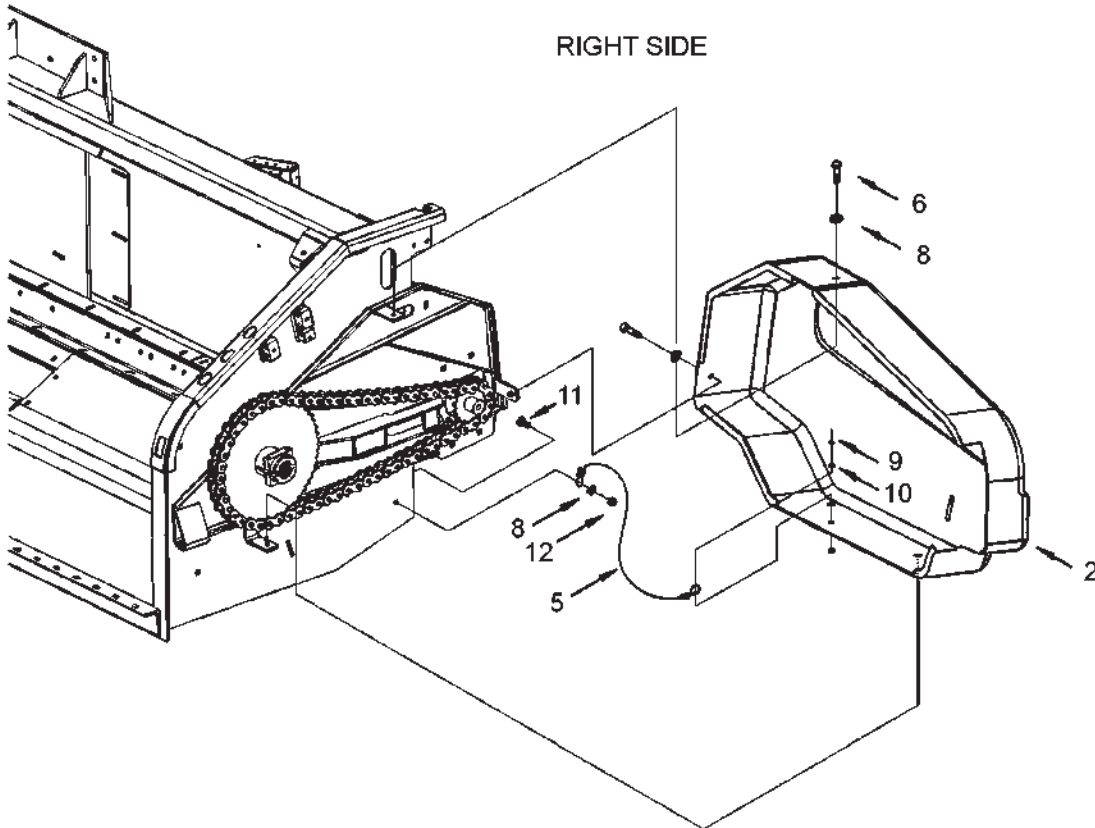
D00684
PR: t05h23i05d0010

PH13/PH15 PICKUP HEADERS
SHIELDS

SHIELD ASSEMBLY



RIGHT SIDE



LEFT SIDE

PH13/PH15 PICKUP HEADERS
SHIELDS

29

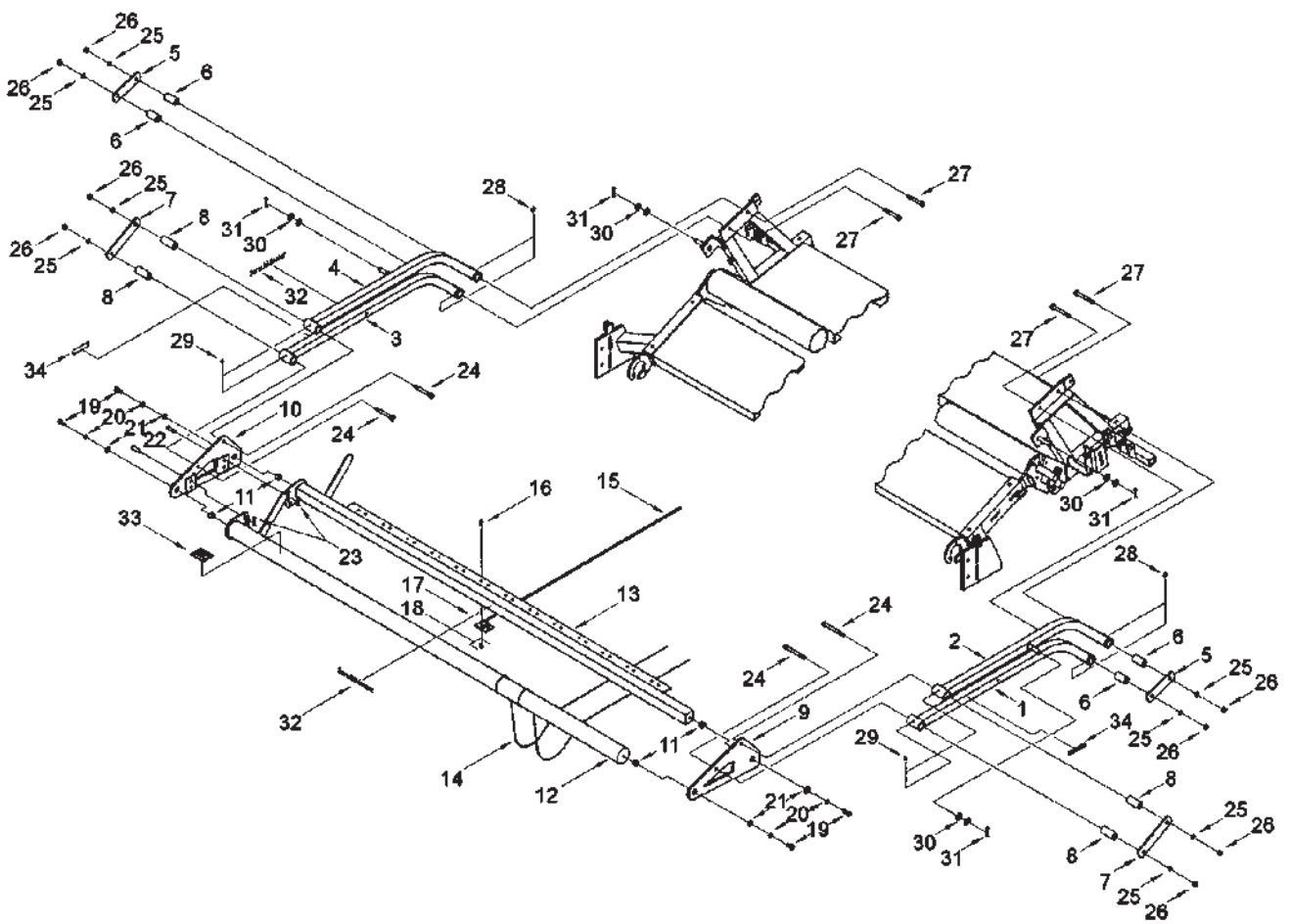
SHIELD ASSEMBLY

ITEM	NUMBER	QTY	DESCRIPTION
1	71411124	1	SHIELD, RH, (13')
	71411125	1	SHIELD, RH, (15')
2	71411093	1	SHIELD, LH, W/HARDWARE (13')
	71411094	1	SHIELD, LH, W/HARDWARE (15')
3	71411075	1	BRACKET, SHIELD, REAR, (RH)
4	71411074	1	BRACKET, SHIELD, FRONT (RH)
5	71408930	1	CABLE, SHIELD ANCHOR
6	71411057	10	BOLT, M8 X 1.25 X 35
7	1177981	4	LOCKWASHER, M8
8	71411072	8	WASHER, FLAT, M8
9	71411052	1	RIVET, 1/4 X 3/4
10	71392587	3	WASHER, FLAT 6MM, LARGE O.D.
11	71392565	1	BOLT, CARRIAGE M8 X 1.25 X 25MM
12	71411065	1	NUT, NYLOCK, M8 X 1.25
13	390972X1	9	WASHER, FLAT, M8

D00685
PR: t05h23i05d0011

PH13/PH15 PICKUP HEADERS
SWATHMASTER ATTACHMENT

HOLDDOWN ASSEMBLY



**PH13/PH15 PICKUP HEADERS
SWATHMASTER ATTACHMENT**

31

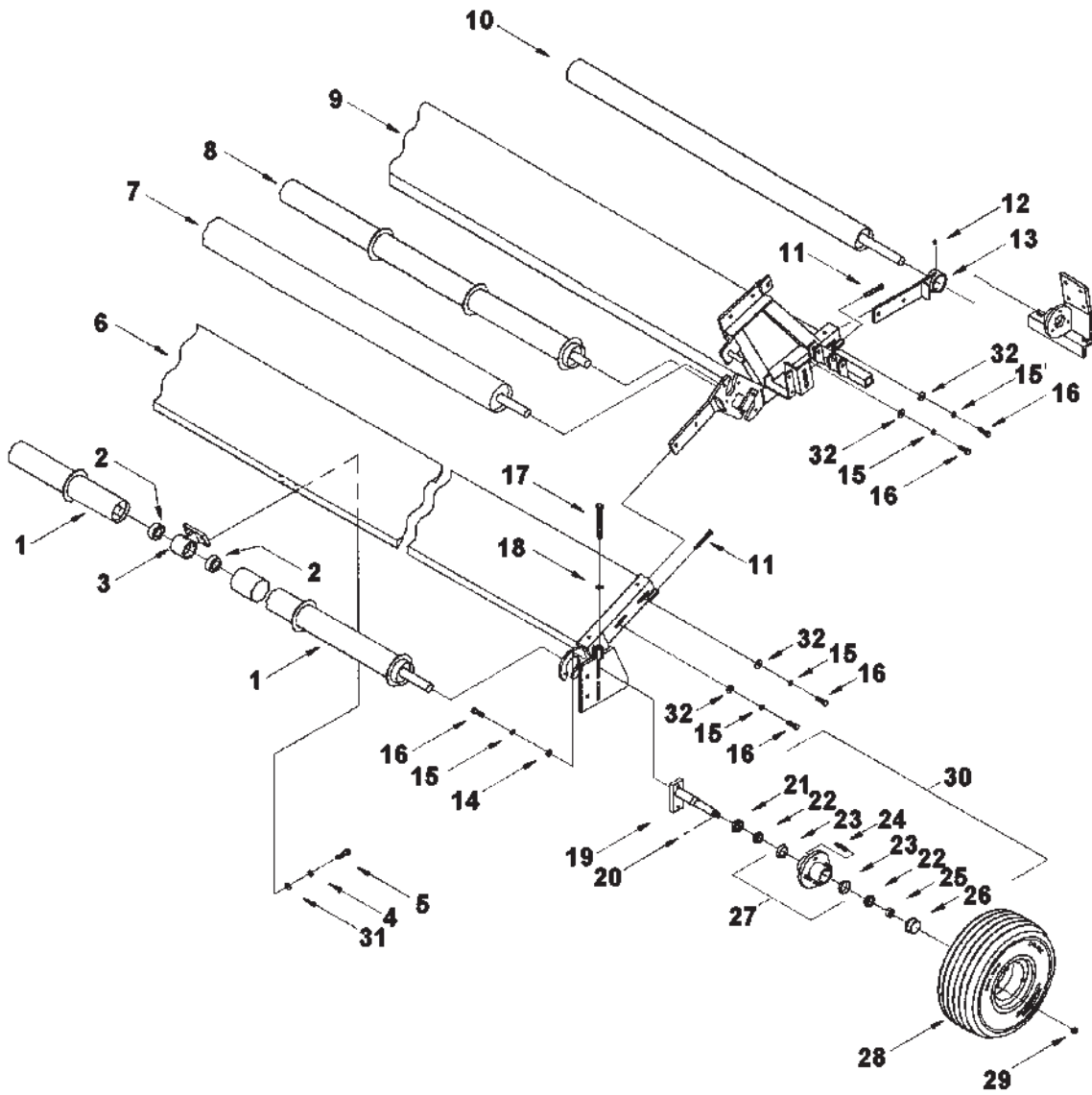
HOLDDOWN ASSEMBLY

ITEM	NUMBER	QTY	DESCRIPTION
1	71392298	1	ARM, LOWER LH, W/DECAL
2	71392296	1	ARM, UPPER LH, W/WHITE DECAL
3	71392299	1	ARM, LOWER RH, W/DECAL
4	71392297	1	ARM, UPPER RH, W/WHITE DECAL
5	71392292	2	REAR PLATE, HOLD DOWN
6	71392300	4	BUSHING, SHORT, HOLDDOWN
7	71392293	2	FRONT PLATE, HOLD DOWN
8	71392301	4	BUSHING, LONG, HOLDDOWN
9	71392305	1	PLATE, SIDE LH HOLDDOWN
10	71392304	1	HOLDDOWN ASY., SIDE PLATE, RH
11	71392276	4	BUSHING, HOLDDOWN BRKT
12	71392364	1	TUBE, SPRING WIRE (14')
	71408904	1	TUBE, SPRING WIRE, W/DECAL (16')
13	71400789	1	TUBE, FIBERGLASS ROD W/DECALS (14')
	71408886	1	TUBE, FIBERGLASS ROD W/DECALS (16')
14	71392288	AR	WIRE, HOLD DOWN
		12	14' MODEL
		14	16' MODEL
15	71392503	AR	ROD, FIBERGLASS, 3/8 X 48 (BLACK)
		23	14' MODEL
		27	16' MODEL
16	70921332	AR	BOLT, 5/16 X 3/4 UNC
		43	14' MODEL
		48	16' MODEL
17	71392289	AR	CLIPS, FIBERGLASS ROD RETAINER (1/ROD)
18	70917372	AR	NUT, 5/16 (2 PER RETAINER)
	1177981	AR	LOCKWASHER, M8 (2 PER RETAINER)
19	70920328	4	BOLT, 1/2 X 1-1/2 UNC
20	1102801	4	LOCKWASHER, M12
21	71392544	4	WASHER, FLAT, 1/2
22	-----	2	PIN, CLEVIS 1/2 X 1-1/2
23	71392492	2	PIN, HITCH, 1/8 X 2-9/16
24	70923161	4	BOLT, 1/2 X 4-1/2 UNC
25	1102801	8	LOCKWASHER, M12
26	70926007	8	NUT, 1/2 UNC
27	71392537	4	BOLT, 1/2 X 4 UNC
28	70915019	4	NIPPLE, GREASE 1/4" UNF 90
29	71392551	4	NIPPLE, GREASE 1/4 UNF STR
30	70918268	AR	WASHER, FLAT, 5/8 SAE
31	71392492	AR	PIN, HITCH, 1/8
32	71408910	2	DECAL, SWATHMASTER, 1-1/8"
33	71379128	1	DECAL (WARNING-MOVING)
34	71392515	2	DECAL (WARNING-SAFETY LOCKS)

D00067
PR: t05h23i05d0012

PH13/PH15 PICKUP HEADERS
SWATHMASTER ATTACHMENT

ROLLER, TIRE & FRAME ASSEMBLY



**PH13/PH15 PICKUP HEADERS
SWATHMASTER ATTACHMENT**

33

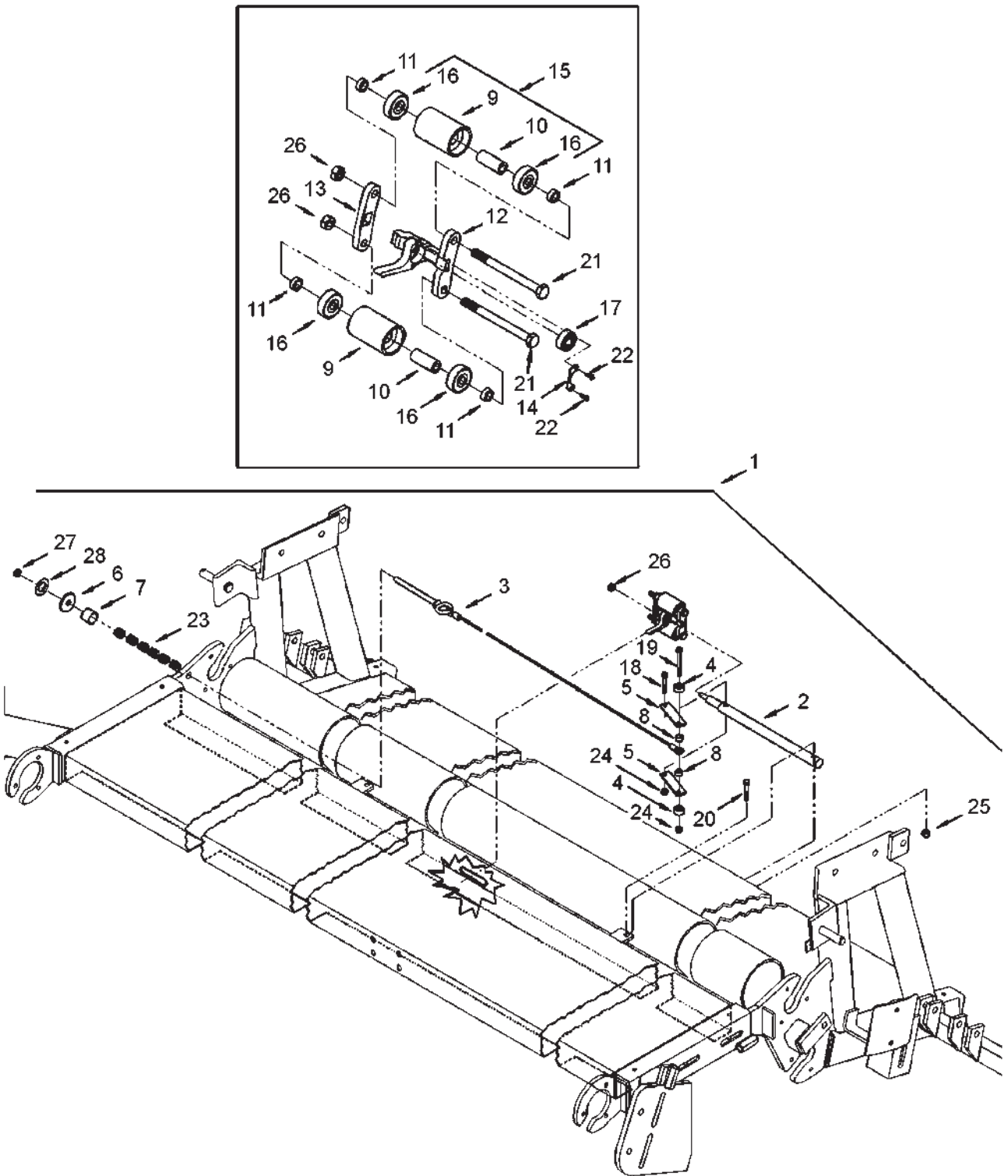
ROLLER, TIRE & FRAME ASSEMBLY

ITEM	NUMBER	QTY	DESCRIPTION
1	71392339	1	ROLLER, FRONT - FRONT FRAME (14')
1	71392340	AR	ROLLER, FRONT - FRONT FRAME (QTY. 1 FOR 14'; QTY. 2 FOR 16')
2	71392455	2	BEARING, 206-20S DDR
3	71392336	1	HOUSING, FRONT ROLLER SUPPORT
4	70950220	4	LOCKWASHER, M10
5	70920415	4	BOLT, 3/8 X 1-1/4 UNC
6	71392335	1	FRAME, FRONT (14')
	71408885	1	FRAME, FRONT (16')
7	71392342	1	ROLLER, REAR FRONT FRAME (14')
	71408889	1	ROLLER, REAR FRONT FRAME (16')
8	71392344	1	ROLLER, FRONT REAR FRAME (14')
	71408890	1	ROLLER, FRONT REAR FRAME (16')
9	71400791	1	FRAME, REAR W/DECALS (14')
	71408887	1	FRAME, REAR W/DECALS (16')
10	71392206	1	ROLLER, REAR (14')
	71408878	1	ROLLER, REAR (16')
11	71392559	4	SETSCREW, SQUARE HEAD 1/2 X 3
12	71392550	2	NIPPLE, GREASE 1/8 NPT STR
13	71392224	2	BRACKET, CARRIER
14	71392544	4	WASHER, FLAT, 1/2
15	1102801	12	LOCKWASHER, M12
16	70920328	12	BOLT, 1/2 X 1-1/2 UNC
17	71392268	2	BOLT, HEIGHT ADJUST, 1/2 X 6
18	70926007	2	NUT, 1/2 UNC
19	71392270	2	SPINDLE, CONESTOGA
20	70918455	2	PIN, COTTER, 5/32 X 1
21	71392557	2	SEAL, CONESTOGA
22	70937219	4	CONE, BEARING L44649
23	832190M1	4	CUP, BEARING L44610
24	71392496	8	STUD, 1/2 UNF CONESTOGA HUB
25	71392539	2	NUT, 1" NF CASTELLATED
26	71392498	2	CAP, DUST, CONESTOGA
27	71392495	2	HUB, CONESTOGA (W/CUPS & STUDS)
28	71392504	2	TIRE ASY. (W/RIM)
	71392499		TIRE, 18X8.50-8
	71392500		TUBE, 18X8.5/9.5-8
	71392501		RIM (8") (4-BOLT/SILVER)
29	71392538	8	NUT, 1/2 UNF, WHEEL
30	71392267	2	HUB & SPDL ASSEMBLY (INCL. ITEM #29)
31	71392542	4	WASHER, FLAT 3/8
32	71392545	8	WASHER, HARDENED, 1/2

D00068A
PR: t05h23i05d0013

PH13/PH15 PICKUP HEADERS
SWATHMASTER ATTACHMENT

CENTER ROLLER SUPPORT
16 FT MODELS



**PH13/PH15 PICKUP HEADERS
SWATHMASTER ATTACHMENT**

35

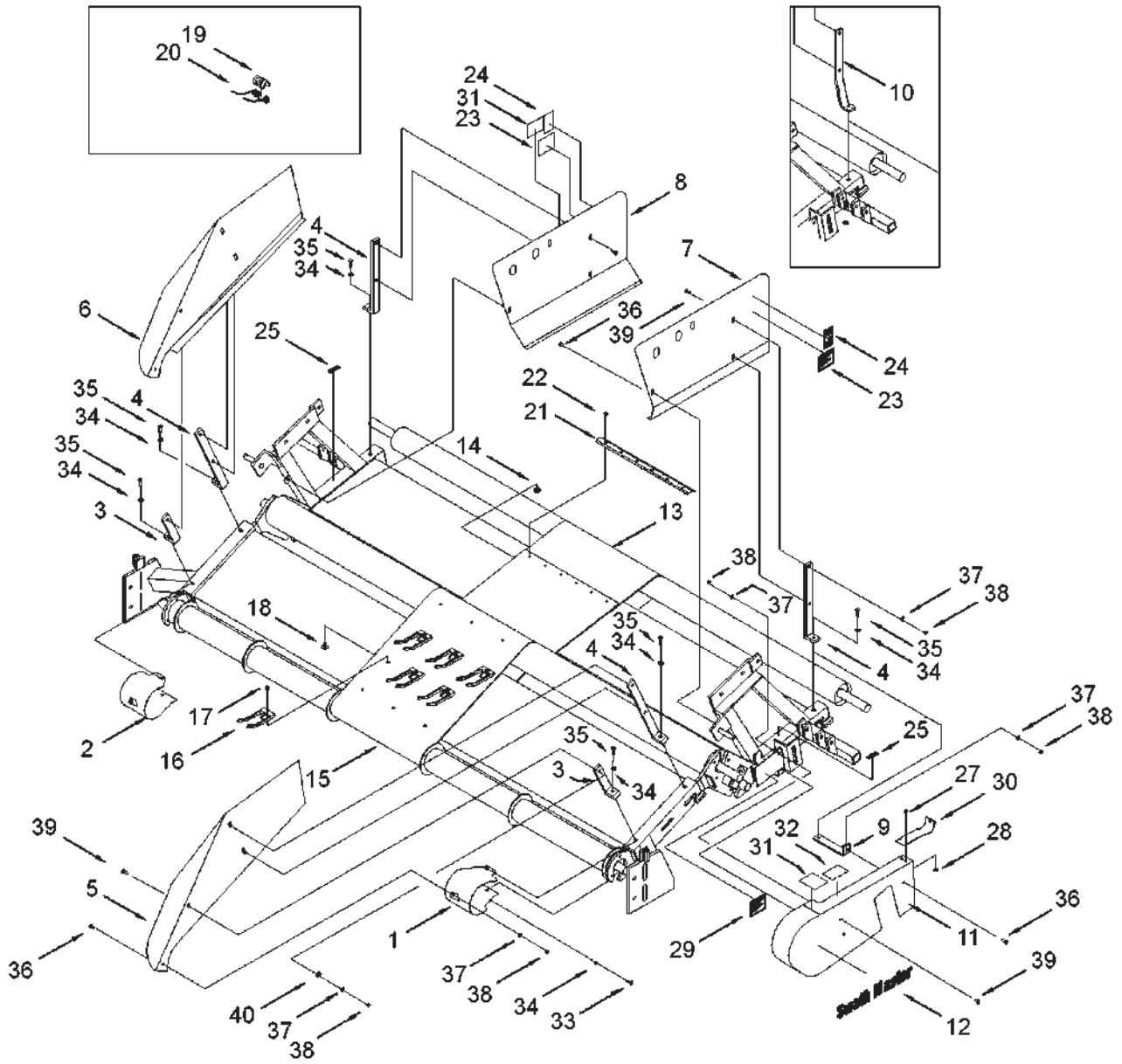
**CENTER ROLLER SUPPORT
16 FT MODELS**

ITEM	NUMBER	QTY	DESCRIPTION
1	71411759	1	KIT, ROLLER SUPPORT
2	71408893	1	BAR, SUPPORT
3	71408898	1	CABLE, ROLLER SUPPORT
4	71408903	2	WASHER, ROLLER ADJUSTER
5	71408902	2	LINK, ROLLER ADJUSTER SUPPORT
6	71408900	1	WASHER, ADJUSTMENT
7	71408899	1	TUBE, ADJUSTMENT
8	71408897	2	SPACER, CABLE
9	71408895	2	HOUSING, ROLLER
10	71408892	2	SPACER, CENTER ROLLER
11	71408891	4	SPACER, ROLLER
12	71408901	1	BRACKET ASY. (W/BEARING & COVER)
13	71408894	1	BRACKET, OUTER
14	71408896	1	COVER
15	71408888	AR	HOUSING ASY., ROLLER (W/BEARINGS)
16	71408906	4	BEARING, 6300 LLUC3
17	71408905	1	BEARING, GEBK10S
18	71392137	1	BOLT, 5/16-18 X 2.0
19	353535X1	1	BOLT, 5/16 X 3 UNC
20	70923701	1	BOLT, 3/8 X 2 UNC
21	70950046	2	CAPSCREW, M10 X 1.5 X 120
22	71408913	2	SCREW, BUTTON HD HX SOC #8-32 X 1/2
23	71408912	18	WASHER, 1/2
24	71400771	2	NUT, LOCK 5/16
25	71392134	1	NUT, UNITORQUE 3/8
26	70950978	3	LOCKNUT, M10 X 1.5
27	70926935	1	NUT, LOCKING, 1/2 NC
28	71408911	1	DECAL, ADJUSTMENT NOTIFICATION

D00539
PR: t05h23i05d0014

PH13/PH15 PICKUP HEADERS
SWATHMASTER ATTACHMENT

DRAPER AND SHIELD ASSEMBLY



**PH13/PH15 PICKUP HEADERS
SWATHMASTER ATTACHMENT**

37

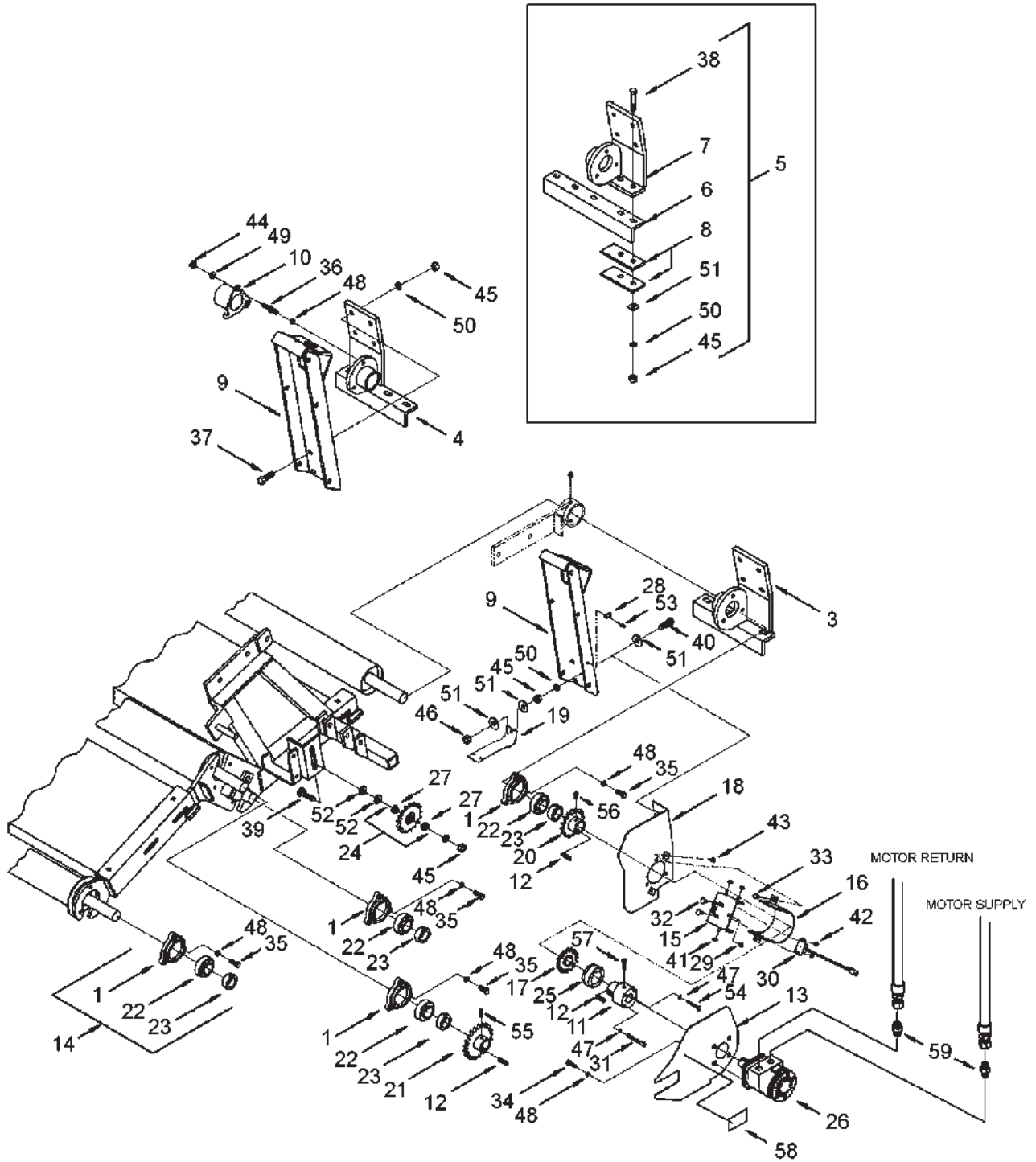
DRAPER AND SHIELD ASSEMBLY

ITEM	NUMBER	QTY	DESCRIPTION
1	71392357	1	GUARD, LEFT HAND FRONT ROLLER
2	71392358	1	GUARD, RIGHT HAND FRONT ROLLER
3	71392347	2	BRACKET, FRONT WIND GUARD
4	71392229	4	BRACKET, WIND GUARD (90)
5	71411760	1	GUARD, WIND, LH FRONT
6	71411761	1	GUARD, WIND, RH FRONT
7	71411084	1	GUARD, WIND, REAR LH (W/DECALS)
8	71411085	1	GUARD, WIND, REAR RH (W/DECALS)
9	71392348	1	BRACKET, CHAIN GUARD REAR
10	71392230	2	BRACKET, WIND GUARD 14'
11	71411086	1	GUARD, CHAIN (W/DECALS)
12	71392126	1	DECAL, SWATHMASTER (2")
13	71392451	AR	BELT, DRAPER (BELT-ONLY)
		8	14' MODEL
		9	16' MODEL
	71392308	1	KIT, BOLT TOGETHER DRAPER BELT
14	71392530	AR	BOLT, ELEVATOR 1/4 X 1/2 (6/BELT)
15	71392452	AR	BELT, DRAPER -SWATHMASTER (BELT ONLY)
	71392596	AR	BELT ASY., DRAPER (INCLUDE: BELT, TEETH & HARDWARE)
16	71392362	AR	TOOTH, (SWATHMASTER) (42 INSIDE BELT/35 OUTSIDE BELT)
		322	14' MODEL
		364	16' MODEL
17	70931209	AR	NUT, FLANGE 1/4 SERRATED (1 PER TOOTH)
18	71392529	AR	BOLT, ELEVATOR 1/4 X 3/4 (1 PER TOOTH)
19	71392506	AR	RETAINER, STEEL TOOTH (1 PER TOOTH)
20	71392507	AR	TOOTH, STEEL
		322	14' MODEL
		364	16' MODEL
21	71392282	AR	PROTECTOR, BELT EDGE (1/BELT)
22	70931209	AR	NUT, 1/4, SERRATED FLANGE (6/BELT)
23	71379128	2	DECAL (WARNING-MOVING)
24	72503345	2	DECAL (WARNING PINCH POINT)
25	71392127	2	DECAL (DRAPER BELT TENSION)
27	71392529	2	BOLT, TRUSS, 1/4 x 3/4 UNC
28	70931209	2	NUT, 1/4, SERRATED FLANGE
29	71400792	1	DECAL, WARNING (SHIELD OPEN)
30	71393762	1	FLAP, CHAIN GUARD
31	71411764	2	DECAL, WARNING (ROTATING PARTS)
32	71411765	1	DECAL, CHAIN ADJ. TENSION
33	70921965	2	BOLT, 3/8 X 3/4 UNC
34	70950220	8	LOCKWASHER, M10
35	70920415	6	BOLT, 3/8 X 1-1/4 UNC
36	71392532	5	BOLT, TRUSS, 5/16 X 3/4 UNC
37	1177981	17	LOCKWASHER, M8
38	70917372	17	NUT, 5/16
39	71392531	12	BOLT, TRUSS, 5/16 X 1 UNC
40	70917377	2	WASHER, FLAT, 5/16

D00468C
PR: t05h23i05d0015

PH13/PH15 PICKUP HEADERS
SWATHMASTER ATTACHMENT

PICKUP DRIVE & SPEED CONTROL



**PH13/PH15 PICKUP HEADERS
SWATHMASTER ATTACHMENT**

39

PICKUP DRIVE & SPEED CONTROL

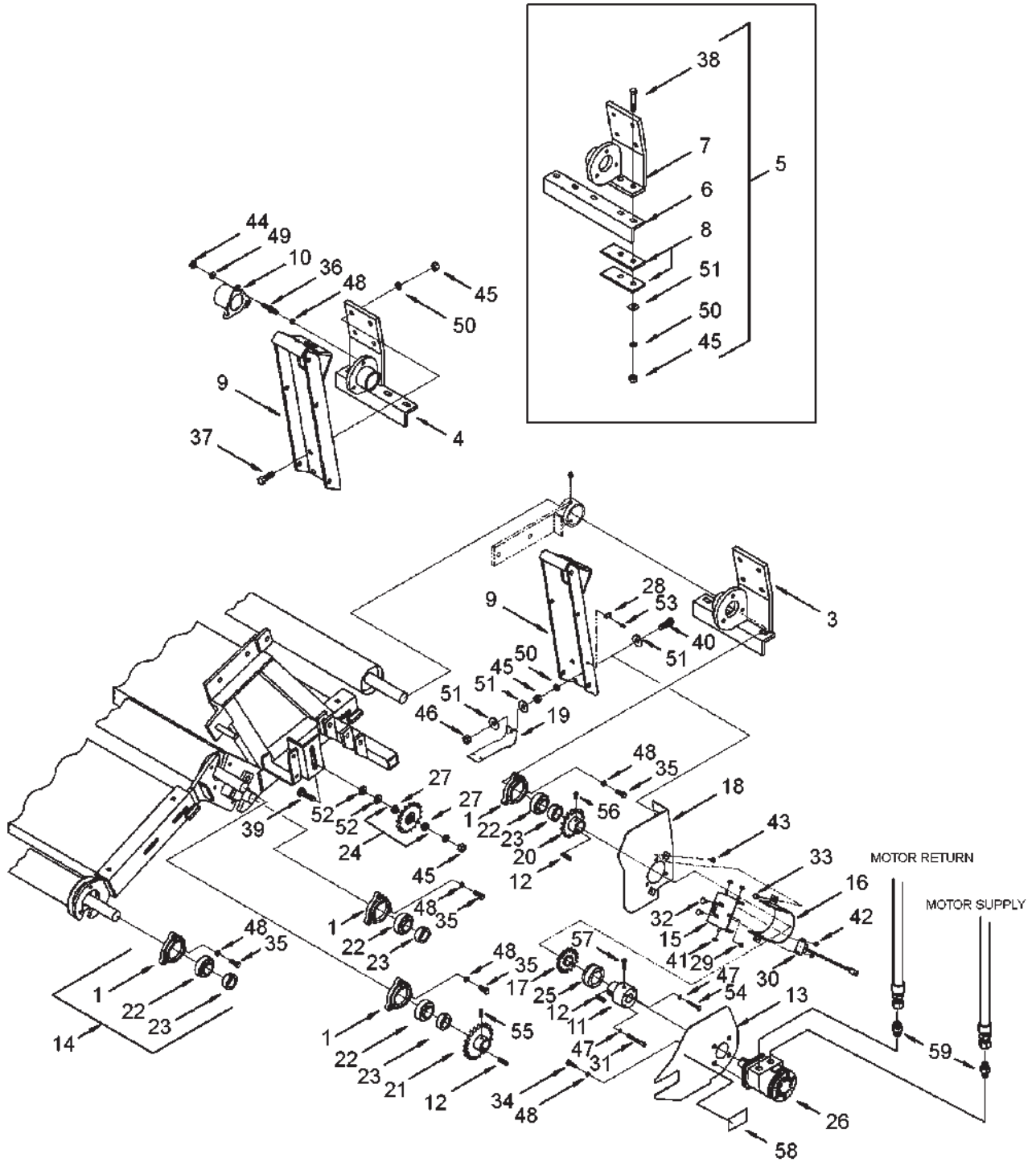
ITEM	NUMBER	QTY	DESCRIPTION
1	-----	8	HOUSING (ORDER HOUSING ASY.)
3	71392225	1	BRACKET, MOUNTING, LH (ON CUTTER BAR)
4	71392226	1	BRACKET, MOUNTING, RH (ON CUTTER BAR)
5	71392227	1	KIT, MOUNTING BRKT, LH (BELOW CUT BAR)
	71392228	1	KIT, MOUNTING BRKT, RH (BELOW CUT BAR)
6	71392233	1	ANGLE, LH (BELOW CUTTER BAR)
	71392234	1	ANGLE, RH (BELOW CUTTER BAR)
7	71392235	1	BRACKET, MOUNTING, LH (BELOW CUT BAR)
	71392236	1	BRACKET, MOUNTING, RH (BELOW CUT BAR)
8	71392129	4	SHIM, MOUNTING BRACKET (BELOW CUT BAR)
9	71400793	2	UPRIGHT, CHANNEL, WITH 3/4 BOLT HOLES
10	71392260	3	COVER, BEARING
11	71400783	1	COUPLING, HYD. MOTOR
12	71392265	3	KEY, 1/4 X 1/4 X 1-1/4
13	71411078	1	TORQUE ARM, HYD. MTR, W/DECAL
14	71392331	8	HOUSING, ROLLER ASY.
15	71400764	1	BRACKET ASY., TOP, SPEED CONTROL
16	71400765	1	BRACKET ASY., LOWER, SPEED CONTROL
17	71400824	1	TARGET ASY., 16 LOBE
18	71392355	1	GUARD, REAR CHAIN
19	71393762	1	FLAP, CHAIN GUARD
20	71392359	1	SPROCKET, 50W16 (W/ HUB)
21	71392360	1	SPROCKET, 50X23 (W/ HUB)
22	71392455	8	BEARING, 206-20S DDR
23	71392456	8	COLLAR, LOCKING EC206-20S
24	71392468	1	SPROCKET, IDLER 50A17X5/8"ID(W/BUSHINGS)
25	71392128	1	HUB, HH1 STEEL
26	71392162	1	MOTOR, ORBIT (I.D.#101-1009)
26	71392163	1	MOTOR, ORBIT (I.D.#101-1010)
	71392473	1	KIT, SEAL (ORBIT MOTOR)
27	71393763	2	BUSHING, 5/8 X 1/2
28	71400767	2	CLAMP, BLACK NYLON 1/4
29	71400768	1	GROMMET 3/16 ID X 3/16 GRV X 5/16 HOLE
30	71400769	1	SENSOR, SPEED
31	71400794	2	BOLT, 1/4 X 1-1/2 UNC GR5 TAP
32	71392529	2	BOLT, TRUSS, 1/4 x 3/4 UNC
33	70921332	6	BOLT, 5/16 X 3/4 UNC
34	70921965	4	BOLT, 3/8 X 3/4 UNC
35	70921210	24	BOLT, 3/8 X 1 UNC

CONTINUED

D00467B
PR: t05h23i05d0016

PH13/PH15 PICKUP HEADERS
SWATHMASTER ATTACHMENT

PICKUP DRIVE & SPEED CONTROL



**PH13/PH15 PICKUP HEADERS
SWATHMASTER ATTACHMENT**

41

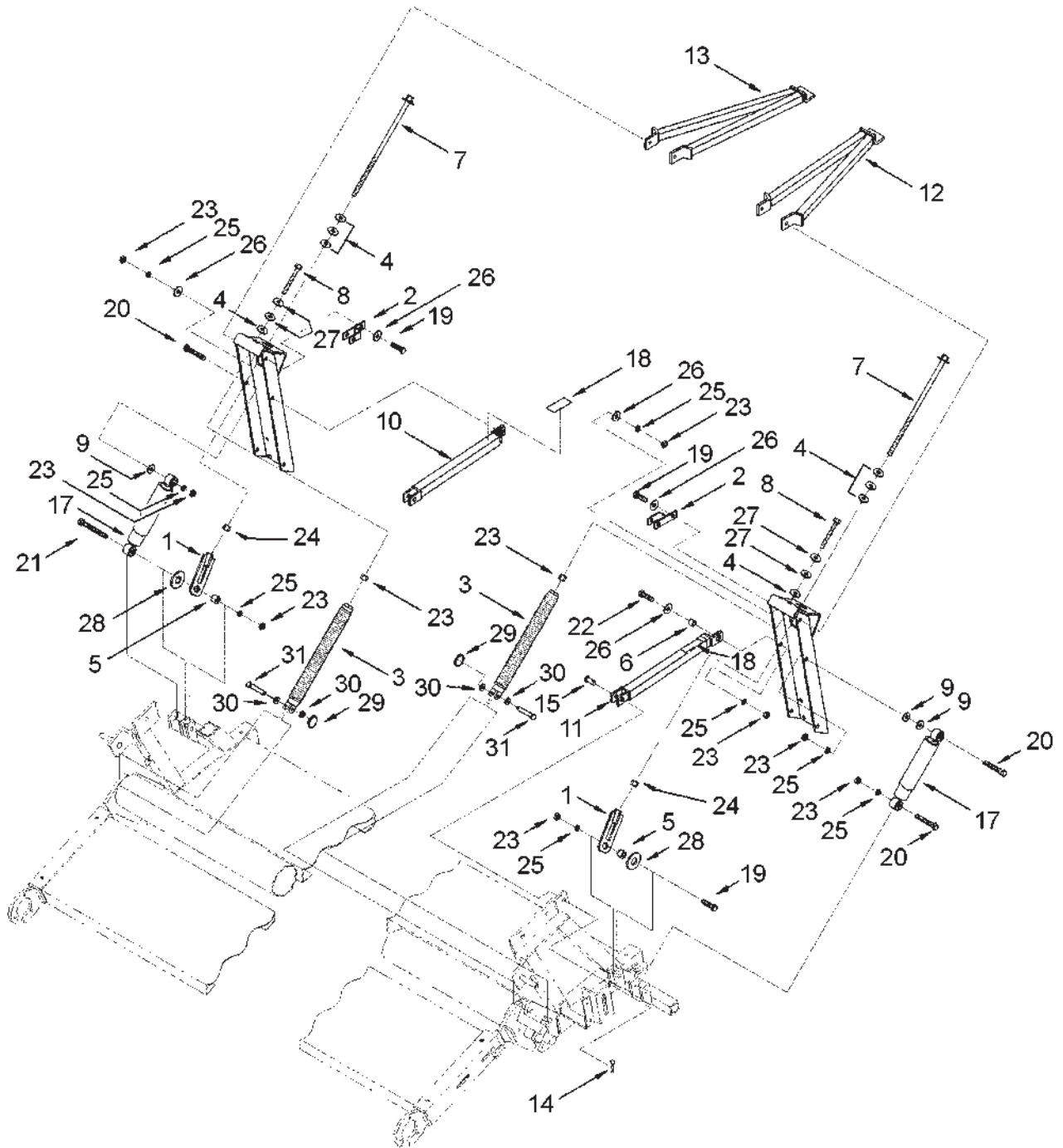
PICKUP DRIVE & SPEED CONTROL

ITEM	NUMBER	QTY	DESCRIPTION
36	71392535	9	STUD, 3/8 X 1 X 3/4, UNC
37	70920328	8	BOLT, 1/2 X 1-1/2 UNC
38	70921211	4	BOLT, 1/2 X 2-1/2 UNC
39	70929094	1	BOLT, CARRIAGE, 1/2 X 2 NC
40	70922645	1	BOLT, 1/2 X 2-1/4 UNC
41	70931209	3	NUT, 1/4, SERRATED FLANGE
42	71400770	2	NUT, 1/4 UNC, NYLOCK
43	71400771	2	NUT, LOCKING, 5/16
44	70916954	9	NUT, LOCKING, 3/8
45	70926007	13	NUT, 1/2 UNC
46	70913744	1	NUT, JAM 1/2"
47	Y705269	4	LOCKWASHER, M6
48	70950220	37	LOCKWASHER, M10
49	71392542	9	WASHER, FLAT 3/8
50	1102801	13	LOCKWASHER, M12
51	71392544	8	WASHER, FLAT, 1/2
52	Y705624	2	WASHER, FLAT, 1/2
53	71400772	2	RIVET, 3/16 X 1/4 X 3/8, STEEL
54	71400794	2	BOLT, 1/4 X 1-1/2 UNC GR5 TAP
55	70923122	2	SETSCREW, SQ HD 5/16-18 X 3/4
56	70923085	2	SETSCREW, SQ HD 5/16-18 X 1/2
57	70923326	2	SCREW, SET, SQ. HEAD, 3/8 X 1
58	71411764	1	DECAL, WARNING (ROTATING PARTS)
59	71411150	2	ADAPTER, ORB TO JIC
-	71392367	1	CHAIN ASY., #50 100 ROLLERS (W/OFFSET & CONNECTOR) (NOT ILLUSTRATED)
	70913682	1	LINK, CONNECTOR, #50
	70913680	1	LINK, OFFSET, #50
-	71400796	1	KIT, HYD MOTOR COUPLING (INCLS. COUPLING & HARDWARE)

D00467B
PR: t05h23i05d0016

PH13/PH15 PICKUP HEADERS
SWATHMASTER ATTACHMENT

SUSPENSION ASSEMBLY



**PH13/PH15 PICKUP HEADERS
SWATHMASTER ATTACHMENT**

43

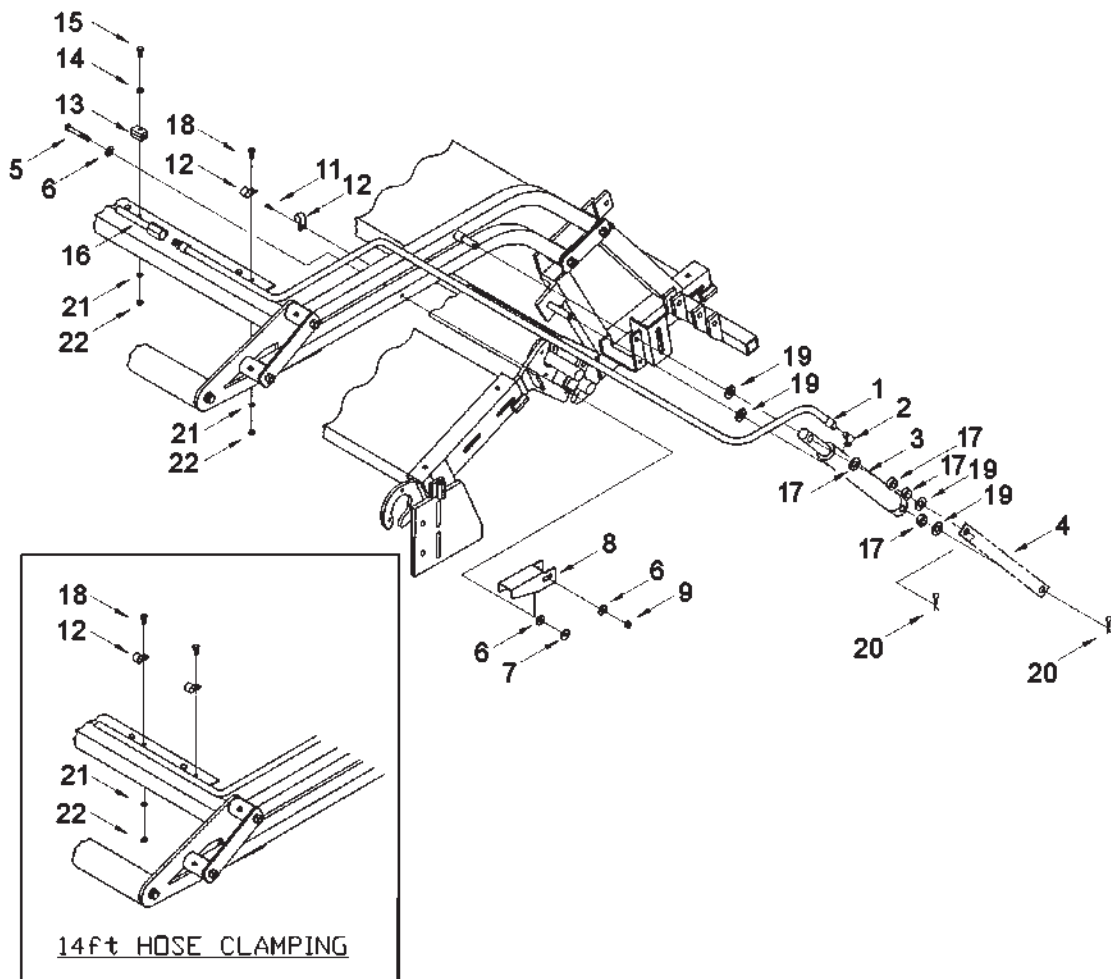
SUSPENSION ASSEMBLY

ITEM	NUMBER	QTY	DESCRIPTION
1	71400797	2	BRACKET, LIFTER
	70920328	6	BOLT, 1/2" X 1-1/2" UNC
	70926007	6	NUT, 1/2" UNC
	1102801	6	LOCKWASHER, M12
2	71392242	2	HOLDER, STORAGE BRACE
3	71400798	2	SPRING, EXTENSION, C/W PLUGS
4	71392274	8	STOPPER, RUBBER
5	71392275	2	BUSHING, LIFTER BRACKET
6	71392302	2	BUSHING, STORAGE BRACE
7	71392324	2	BOLT, LIFTER ADJUST
8	71400799	2	BOLT, 5/8-11 X 12 GR5 PLTD
9	71392327	3	WASHER, 1-1/4 X 17/32 X 1/4
10	71411087	1	BRACE, STORAGE (SWATHMASTER-RH)
11	71411088	1	BRACE, STORAGE (SWATHMASTER-LH)
12	71392408	2	BRACE, HEADER, LH
13	71392409	2	BRACE, HEADER, RH
14	71408908	2	PIN, GRIP CLIP, 1/8 X 2-9/16
15	71408909	2	PIN, 1/2 X 2.5
17	71392502	2	SHOCK ABSORBER
18	71411763	2	DECAL, ATTN. (UNLOCK BEFORE USE)
19	70921024	3	BOLT, 1/2 X 2 UNC
20	70923320	3	BOLT, 1/2 X 3 UNC
21	70923161	1	BOLT, 1/2 X 4-1/2 UNC
22	70919089	2	BOLT, 1/2 X 1-3/4 UNC
23	70926007	11	NUT, 1/2 UNC
24	70932665	2	NUT, 5/8 UNC
25	1102801	15	LOCKWASHER, M12
26	71392544	2	WASHER, FLAT, 1/2
27	71400804	4	WASHER 5/8
28	71400774	2	WASHER, 7/8
29	71400805	2	RING, SPLIT, 1-1/4"
30	Y705624	4	WASHER, FLAT, 1/2
31	71400806	2	PIN, CLEVIS, 1/2 X 2-1/4
32	71400807	2	WASHER, 5/8 USS PL (NOT SHOWN)

D00469D
PR: t05h23i05d0017

PH13/PH15 PICKUP HEADERS
SWATHMASTER ATTACHMENT

HYDRAULIC HOLDDOWN & LIFT



**PH13/PH15 PICKUP HEADERS
SWATHMASTER ATTACHMENT**

HYDRAULIC HOLDDOWN & LIFT

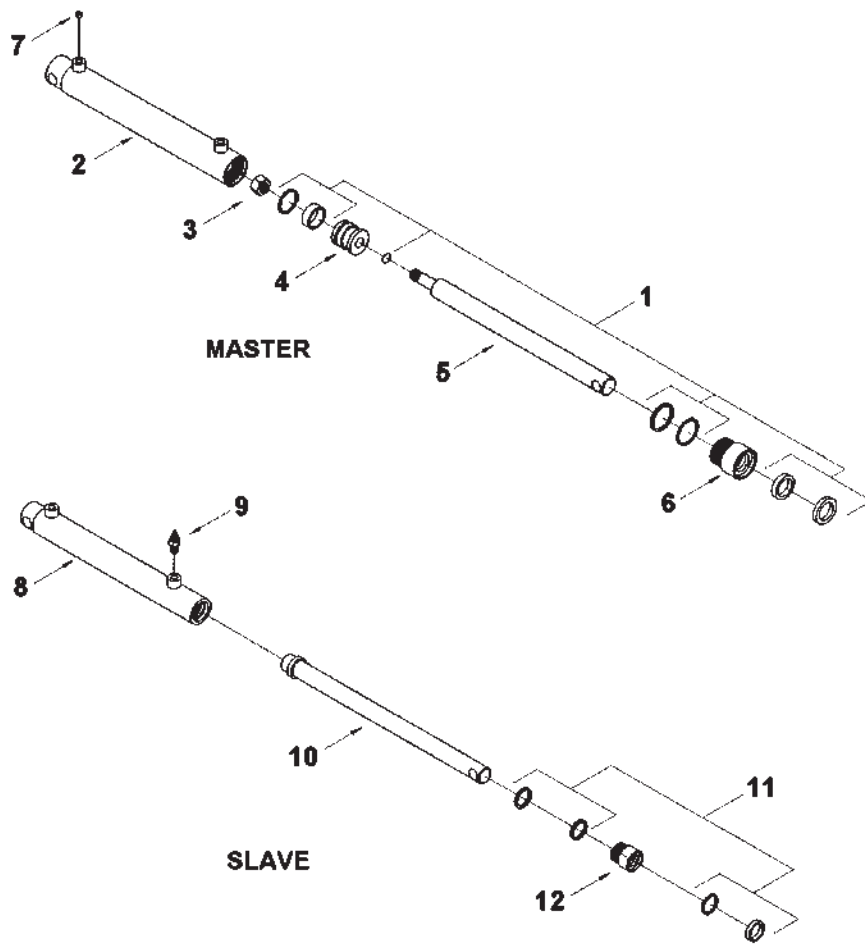
ITEM	NUMBER	QTY	DESCRIPTION
1	71392133	2	HOSE, HYD., FLEX-POINT
2	71392472	2	ELBOW, #6 M ORB X #6 M JIC
3	71400808	1	CYLINDER, MASTER, 3000 PSI, 1-1/2" BORE X 10" STROKE
3	71392157	1	CYLINDER, SLAVE, 3000 PSI, 1.25" BORE X 10" STROKE
4	71392303	2	BRACE, CYLINDER (FOR SHIPPING ONLY)
5	70921973	2	BOLT, 3/8 x 2-3/4 UNC
6	71392542	6	WASHER, FLAT 3/8
7	71392543	2	WASHER, NEOPRENE, 3/8 X 1.1 X .062
8	71392446	2	LOCK, SAFETY
9	71392134	2	NUT, UNITORQUE 3/8
11	71392547	2	SCREW, SHEET METAL #14 X 3/4
12	71392135	6	CLAMP, HYD. HOSE, 9/16
13	71392136	5	CLAMP, DRILLED, 3/8" PIPE (14') (QTY. 6 FOR 16')
14	70917377	AR	WASHER, FLAT, 5/16 (1 PER CLAMP)
15	71392137	AR	BOLT, 5/16 X 2 UNC (1 PER CLAMP)
16	71392139	1	STEEL LINE, HYD HOLD (14')
	71408883	1	STEEL LINE, HYD HOLD (16')
17	71400809	8	WASHER, .625 X .781 X .188
18	70921332	AR	BOLT, 5/16 X 3/4 UNC (1 PER CLAMP)
19	70918268	11	WASHER, FLAT 5/8
20	71392492	4	PIN, HITCH, 1/8 X 2-9/16
21	1177981	AR	LOCKWASHER, M8 (1 PER CLAMP)
22	70917372	AR	NUT, 5/16 (1 PER CLAMP)

*NOTE: 3000PSI CYLINDER HAS #3 STAMPED
IN CYLINDER SHAFT END.

D00150A
PR: t05h23i05d0018

PH13/PH15 PICKUP HEADERS
SWATHMASTER ATTACHMENT

HYDRAULIC CYLINDER ASSEMBLY



**PH13/PH15 PICKUP HEADERS
SWATHMASTER ATTACHMENT**

47

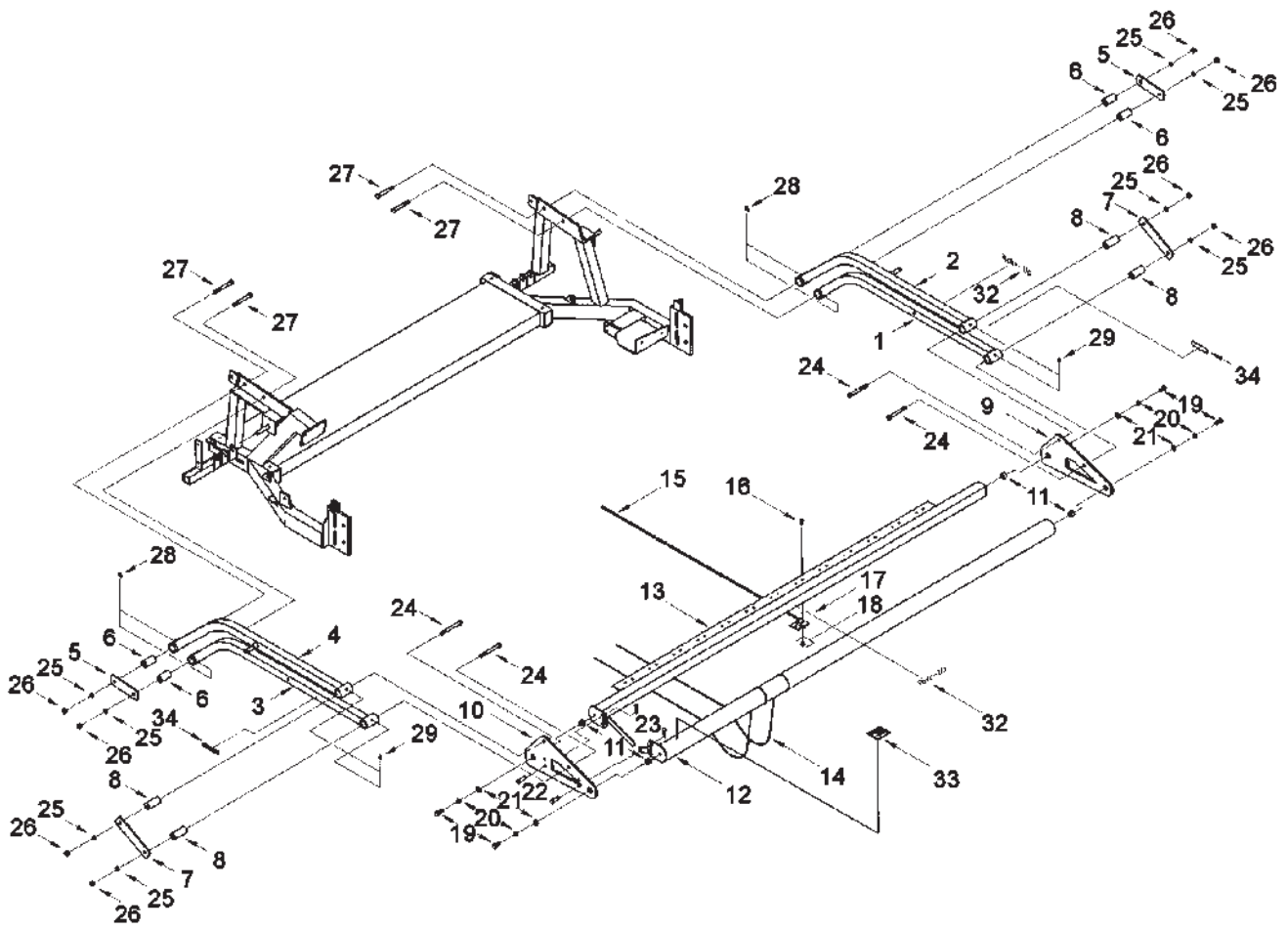
HYDRAULIC CYLINDER ASSEMBLY

ITEM	NUMBER	QTY	DESCRIPTION
1	71400810	1	SEAL KIT, 3000 PSI (MASTER)
2	71392476	1	BARREL (RSY-15PMF-10)
3	71392486	1	NUT, LOCKING, 5/8 UNF
4	71400811	1	PISTON, 3000 PSI (MASTER)
5	71400812	1	SHAFT, 3000 PSI (MASTER)
6	71400813	1	GLAND, 3000 PSI (MASTER)
7	71392272	1	ORIFICE, #6 ORB X 0.03125
	71400773	1	ORIFICE, #6 ORB X 0.063
8	-----	1	BARREL WELD., 3000 PSI (SLAVE) (SERVICE W/ CYLINDER ASY. 71392157)
9	71392141	1	BLEED SCREW, 3000 PSI, #4 ORB
10	71392142	1	SHAFT, 3000 PSI (SLAVE)
11	71392143	1	SEAL KIT, (SLAVE)
12	71392144	1	GLAND, 3000 PSI (SLAVE)

D00170B
PR: t05h23i05d0019

PH13/PH15 PICKUP HEADERS
RAKE-UP ATTACHMENT

HOLDDOWN ASSEMBLY



**PH13/PH15 PICKUP HEADERS
RAKE-UP ATTACHMENT**

49

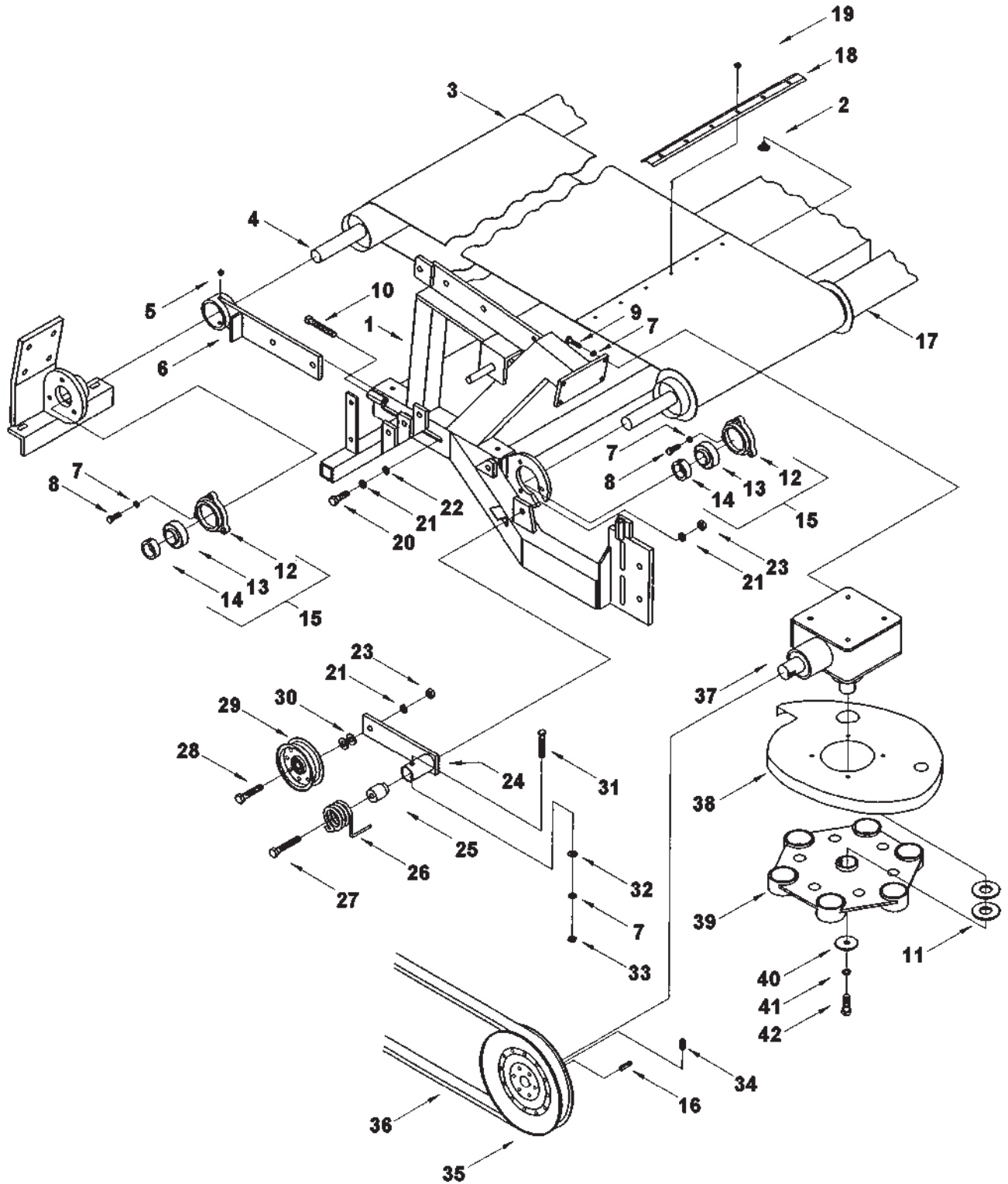
HOLDDOWN ASSEMBLY

ITEM	NUMBER	QTY	DESCRIPTION
1	71392298	1	ARM, LOWER LH, W/DECAL
2	71400781	1	HOLDDOWN, UPPER ARM, LH ASSEMBLY
3	71392299	1	ARM, LOWER RH, W/DECAL
4	71400782	1	HOLDDOWN, UPPER ARM, RH ASSEMBLY
5	71392292	2	REAR PLATE, HOLDDOWN
6	71392300	4	BUSHING, SHORT, HOLDDOWN
7	71392293	2	FRONT PLATE, HOLDDOWN
8	71392301	4	BUSHING, LONG, HOLDDOWN
9	71392305	1	PLATE, SIDE LH HOLDDOWN
10	71392304	1	HOLDDOWN ASY., SIDE PLATE, RH
11	71408882	4	BUSHING, HOLDDOWN BRKT
12	71392291	1	TUBE, SPRING WIRE (14')
	71408881	1	TUBE, SPRING WIRE, W/DECAL (16')
13	71400815	1	TUBE, FIBERGLASS ROD, 14' (W/DECAL)
	71408882	1	TUBE, FIBERGLASS ROD, 16' (W/DECAL)
14	71392288		WIRE, HOLDDOWN
		13	14' MODEL
		14	16' MODEL
15	71392503	AR	ROD, FIBERGLASS
		24	14' MODEL
		27	16' MODEL
16	70921332	AR	BOLT, 5/16" X 3/4" UNC (2 PER CLIP)
		43	14' MODEL
		47	16' MODEL
17	71392289	AR	CLIPS, FIBERGLASS ROD RETAINER (REF. #15)
18	70917372	AR	NUT, 5/16" UNC (2 PER CLIP)(SEE #15)
	1177981	AR	LOCKWASHER, M8 (2 PER CLIP) (REF. #15)
19	70920328	4	BOLT, 1/2 X 1-1/2 UNC
20	1102801	4	LOCKWASHER, M12
21	71392544	4	WASHER, FLAT, 1/2
22	-----	2	PIN, CLEVIS 1/2 X 1-1/2
23	71392492	2	PIN, HITCH, 1/8 X 2-9/16
24	70923161	4	BOLT, 1/2 X 4-1/2 UNC
25	1102801	8	LOCKWASHER, M12
26	70926007	8	NUT, 1/2 UNC
27	71392537	4	BOLT, 1/2 X 4 UNC
28	70915019	4	NIPPLE, GREASE 1/4" UNF 90
29	71392551	4	NIPPLE, GREASE 1/4 UNF STR
32	71392145	2	DECAL, 1-1/8 (RAKE-UP)
33	71379128	1	DECAL (WARNING-MOVING)
34	71392515	2	DECAL (WARNING-SAFETY LOCKS)

D00151C
PR: t05h23i05d0020

PH13/PH15 PICKUP HEADERS
RAKE-UP ATTACHMENT

DRAPER AND GEAR BOX DRIVE



**PH13/PH15 PICKUP HEADERS
RAKE-UP ATTACHMENT**

51

DRAPER AND GEAR BOX DRIVE

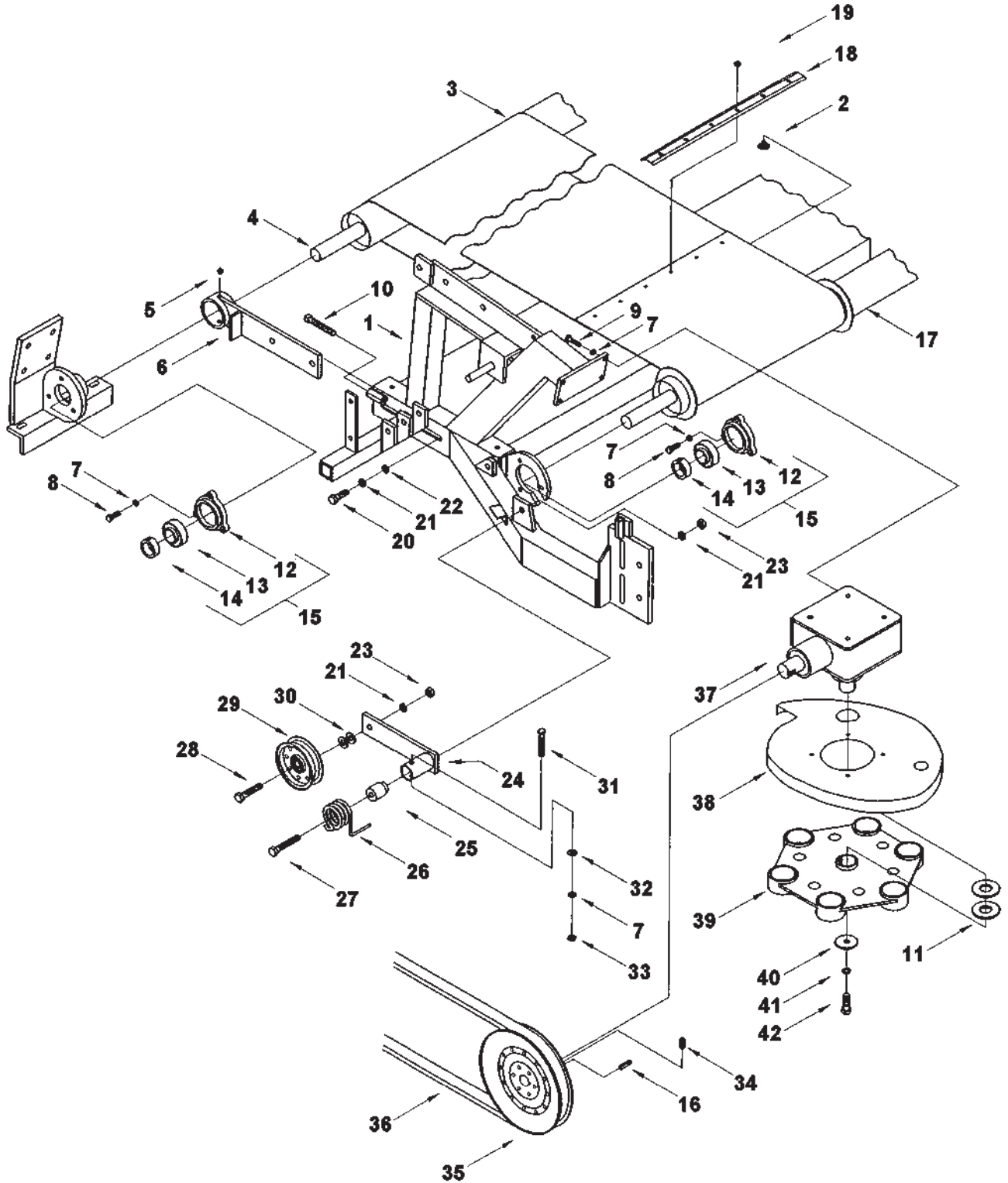
ITEM	NUMBER	QTY	DESCRIPTION
1	71400817	1	FRAME, MAIN, 14' (W/DECALS)
	71408876	1	FRAME, MAIN, 16' (W/DECALS)
2	71392530	AR	BOLT, ELEVATOR 1/4" X 1/2" UNC (6/BELT)
3	71392451	AR	DRAPER BELT, BOLT TOGETHER REGULAR
		8	14' MODEL
		9	16' MODEL
4	71392206	1	ROLLER, REAR (14')
	71408878	1	ROLLER, REAR (16')
5	71392550	2	NIPPLE, GREASE 1/8 NPT STR
6	71392224	2	BRACKET, CARRIER
7	70950220	17	LOCKWASHER, M10
8	70921210	12	BOLT, 3/8 X 1 UNC
9	70920415	4	BOLT, 3/8 X 1-1/4 UNC
10	71392559	2	SETSCREW, SQUARE HEAD 1/2 X 3
11	71392161	AR	*BUSHING, 1-7/8 X 1-3/8 I.D. X 18GA
		2	*(STAMPED #0)
		3	*(STAMPED #50)
		4	*(STAMPED #100)
		5	*(STAMPED #150)
		6	*(STAMPED #200)
12	-----	4	HOUSING (ORDER HOUSING ASY.)
13	71392455	4	BEARING, 206-20S DDR
14	71392456	4	COLLAR, LOCKING EC206-20S
15	71392331	4	HOUSING, ROLLER ASY.
16	71392265	2	KEY, 1/4 X 1/4 X 1-1/4
17	71392204	1	ROLLER, FRONT (14')
	71408877	1	ROLLER, FRONT (16')
18	71392282	1	PROTECTOR, BELT EDGE (1/BELT)
19	70931209	6	NUT, FLANGE 1/4" UNC SER. (6/BELT)
20	70920328	4	BOLT, 1/2 X 1-1/2 UNC
21	1102801	6	LOCKWASHER, M12
22	71392545	4	WASHER, HARDENED, 1/2
23	70926007	2	NUT, 1/2 UNC
24	71392240	1	ARM, BELT TIGHTENER
25	71392277	1	BUSHING, BELT TIGHTENER
26	71392466	1	TIGHTENER, SPRING (MIRROR)
27	70923320	1	BOLT, 1/2 X 3 UNC
28	70921211	1	BOLT, 1/2 X 2-1/2 UNC

CONTINUED

D00152A
PR: t05h23i05d0021

PH13/PH15 PICKUP HEADERS
RAKE-UP ATTACHMENT

DRAPER AND GEAR BOX DRIVE



**PH13/PH15 PICKUP HEADERS
RAKE-UP ATTACHMENT**

53

DRAPER AND GEAR BOX DRIVE

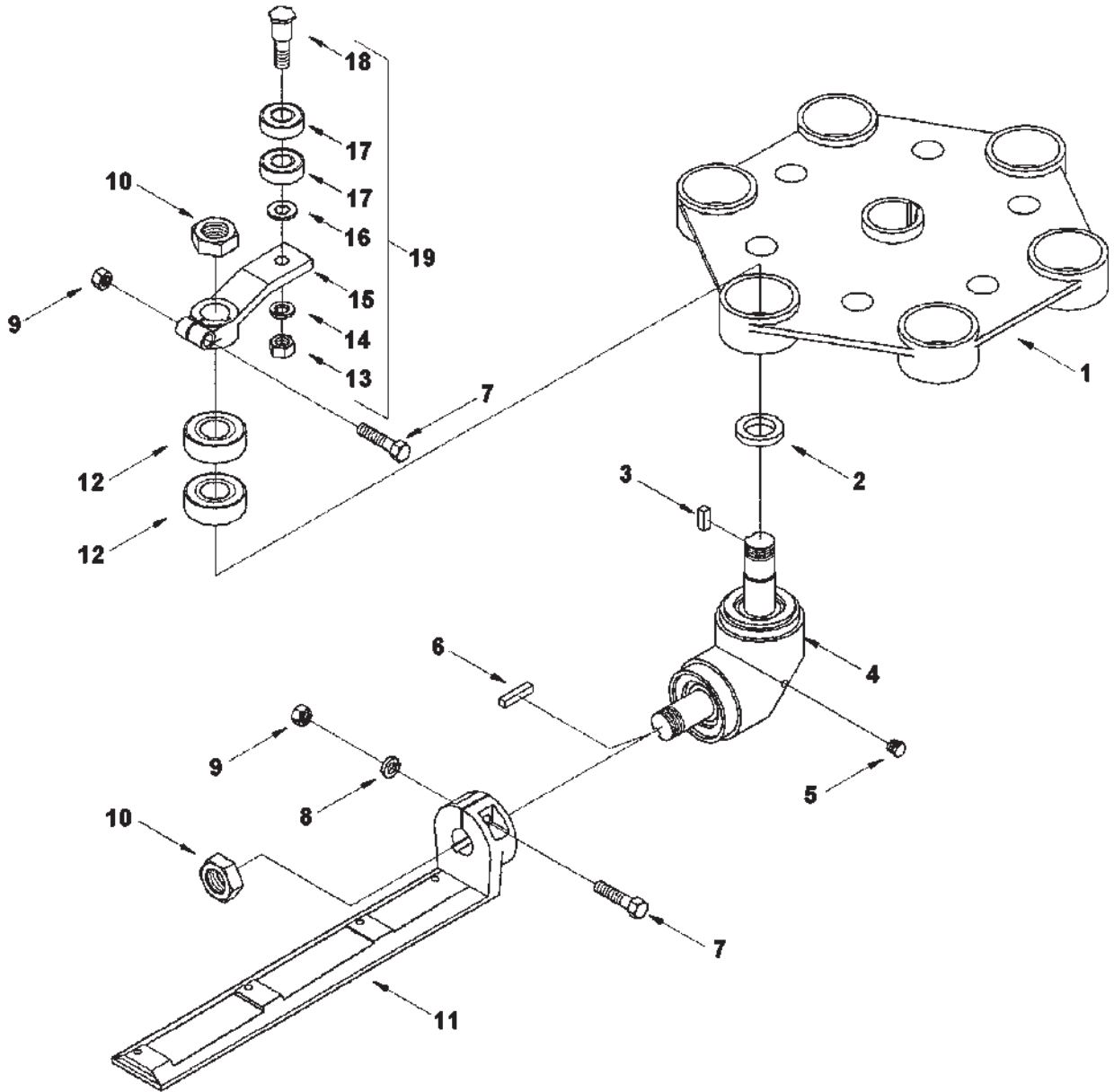
ITEM	NUMBER	QTY	DESCRIPTION
29	71392244	1	IDLER PULLEY
30	71392544	2	WASHER, FLAT, 1/2
31	70921972	1	BOLT, 3/8 X 2-1/2 UNC
32	71392542	1	WASHER, FLAT 3/8
33	70923518	1	NUT, 3/8 UNC
34	70920469	2	SCREW, SET, SQ HD 3/8 X 3/4
35	71392245	1	PULLEY, B-10"
36	71392454	1	BELT, B92
37	71392216	1	GEAR BOX, COMPLETE (W/OUT COVER)
38	71392211	1	PLATE, SCROLL (MIRROR)
39	71392333	1	ROTOR (REFERENCE DRIVE END ROTOR ASY.)
40	71392328	1	WASHER, 2 X 17/32 X 3/16
41	1102801	1	LOCKWASHER, M12
42	70922475	1	BOLT, 1/2 X 1-1/2, DRILL
-	71392308	1	KIT, BOLT TOGETHER DRAPER BELT HARDWARE (INCLUDES: 6-1/4 UNC X 1/2" ELEVATOR BOLTS, 6-1/4 UNC SERRATED FLANGE NUTS, 6-1/4" WASHER, FLATS)
-	71392323	1	TOOL, SERVICE (SM GEAR BOX PULLER)

*NOTE:(QUANTITY OF ITEM #11 DEPENDS ON THE FIT OF THE DRIVE ROTOR AND SCROLL PLATE. REPLACE WITH ORIGINAL NUMBER OF BUSHINGS. IF ORIGINAL # IS UNKNOWN THEN THE NUMBER OF BUSHINGS CORRESPOND TO THE KEY LISTED ABOVE AND THE NUMBER STAMPED IN THE TOP OF THE DRIVE ROTOR.)

D00152A
PR: t05h23i05d0021

PH13/PH15 PICKUP HEADERS
RAKE-UP ATTACHMENT

DRIVE END ROTOR



PH13/PH15 PICKUP HEADERS
RAKE-UP ATTACHMENT

55

DRIVE END ROTOR

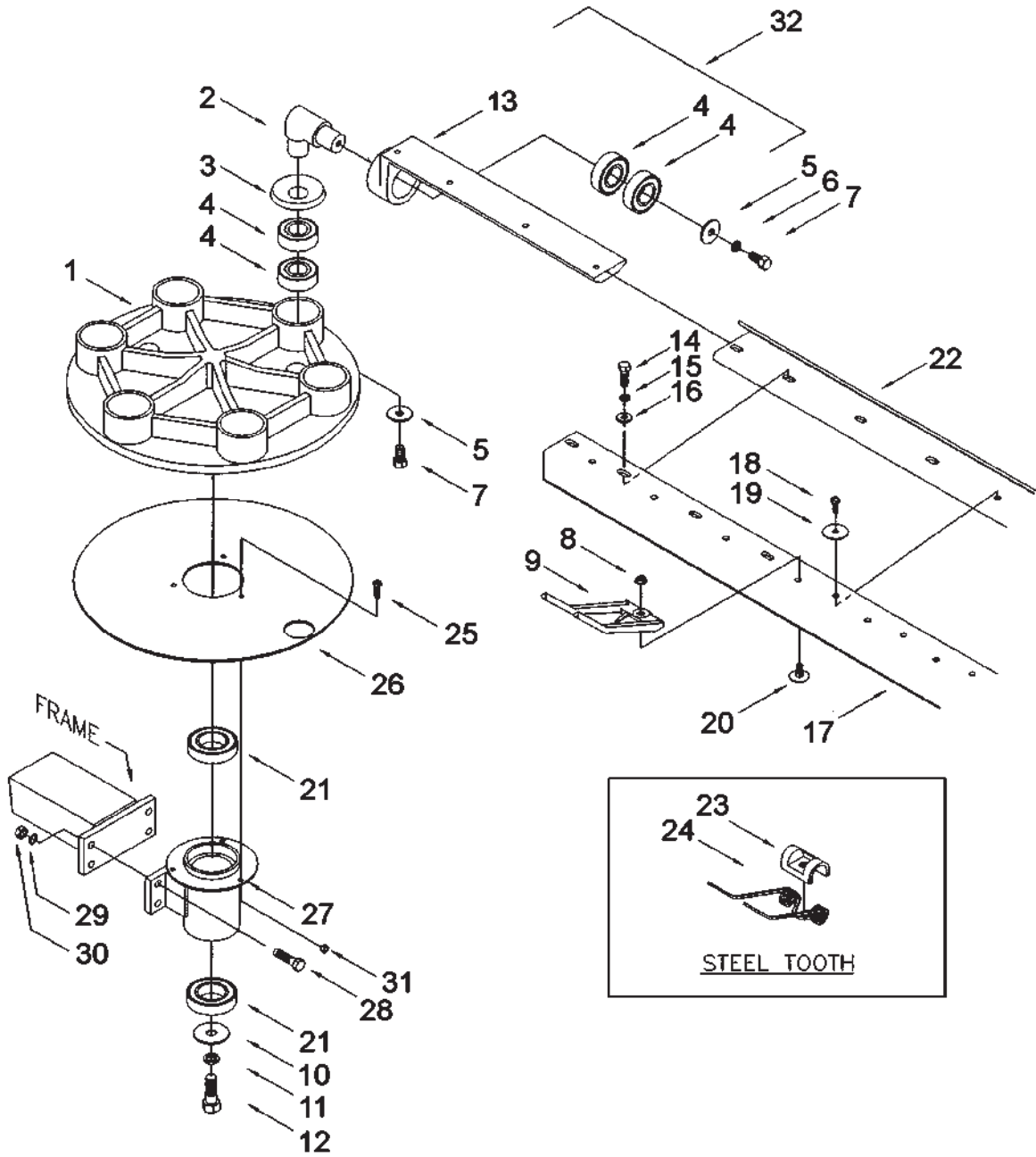
ITEM	NUMBER	QTY	DESCRIPTION
1	71392333		DRIVE ASY., ROTOR (INCLUDES:DRIVE ROTOR AND BEARINGS)
2	71392555	6	BUSHING,#8 MACHINERY,1/4"THK(1/GEARBOX)
3	71392266	6	KEY, 1/4 X 1/4 X 13/16
4	71392222	6	GEARBOX, SMALL (COMPLETE)
5	71392552	12	PLUG, BRASS, 1/8 NF
6	71392265	6	KEY, 1/4 X 1/4 X 1-1/4
7	70921969	12	BOLT, 3/8 X 1-1/2 UNC
8	70950220	6	LOCKWASHER, M10
9	70923518	12	NUT, 3/8 UNC
10	70920439	12	NUT, JAM 7/8" UNF
11	71392213	6	ARM, FINGER BAR DRIVE (MIRROR)
12	71392457	12	BEARING, 6205 LLC
13	70922471	6	NUT, 7/16 UNF
14	1102801	6	LOCKWASHER, M12
15	71392214	6	ARM, FOLLOWER (MIRROR)
16	70918267	6	WASHER, FLAT, 7/16
17	71392458	12	BEARING, 6202-16 DDU
18	71392261	6	SHOULDER BOLT
19	71392329	6	BOLT ASY., SHOULDER (INCLUDES: SHOULDER BOLT, BEARINGS AND HARDWARE)

NOTE: COMPLETE DRIVE END ASSEMBLY
(INCLUDES: SCROLL PLATE, DRIVE ROTOR,
MAIN GEARBOX, SMALL GEARBOXES, DRIVE
FINGER BAR ARMS, FOLLOWER ARMS AND
BEARINGS, ETC.) (SERVICE W/#71392592)

D00023
PR: t05h23i05d0022

PH13/PH15 PICKUP HEADERS
RAKE-UP ATTACHMENT

IDLER END ROTOR



**PH13/PH15 PICKUP HEADERS
RAKE-UP ATTACHMENT**

57

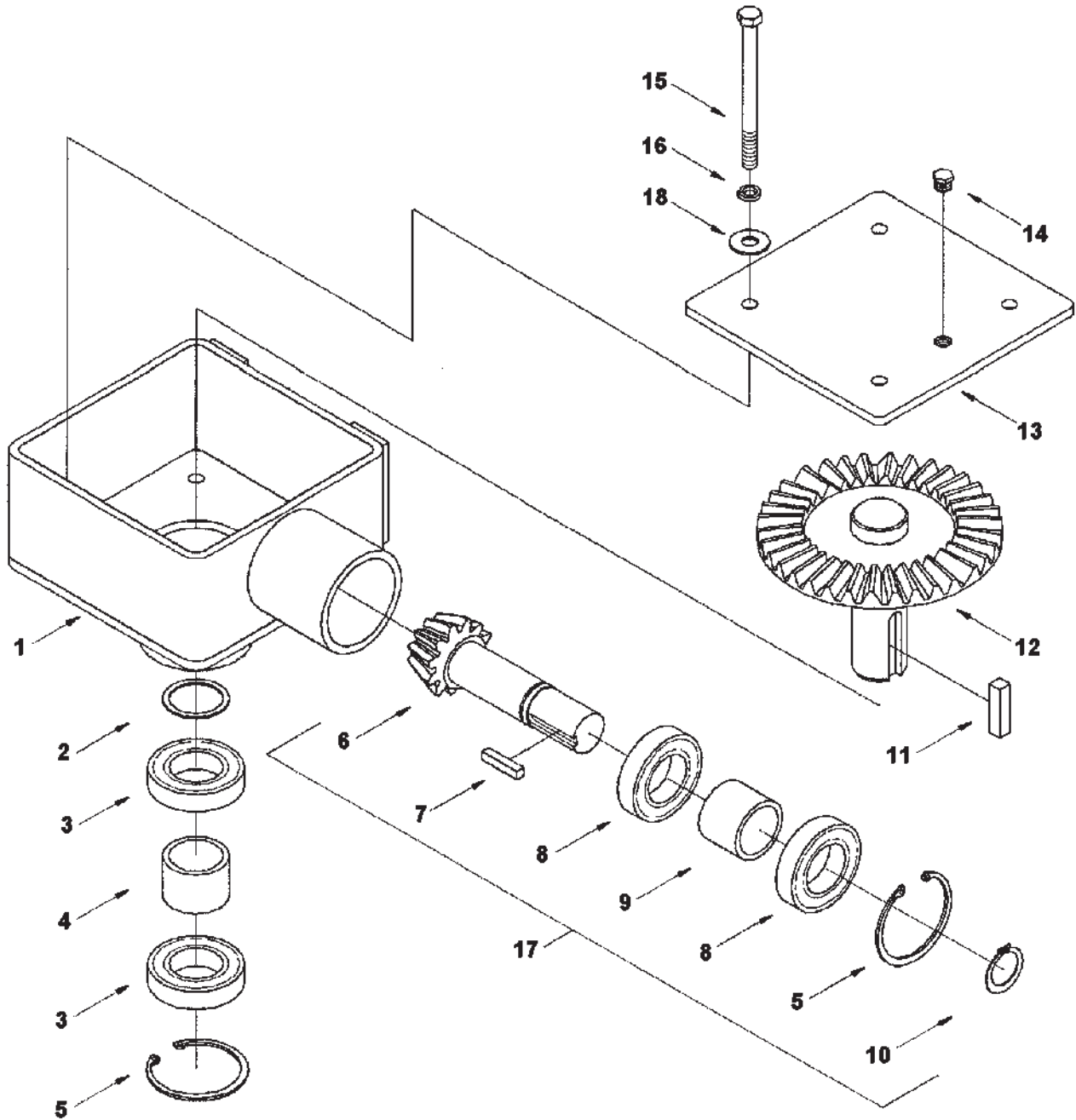
IDLER END ROTOR

ITEM	NUMBER	QTY	DESCRIPTION
1	71392330	1	ROTOR ASY., IDLER (INCLUDES:IDLER ROTOR AND BEARINGS)
2	71392212	6	ELBOW
3	71392269	6	BEARING CAP
4	71392457	24	BEARING, 6205 LLC
5	71392326	12	WASHER, FLAT 1-1/4 X 3/8 X 11GA
6	70950220	6	LOCKWASHER, M10
7	70921965	12	BOLT, 3/8 X 3/4 UNC
8	70931209	AR	NUT, FLANGE 1/4" UNC SERRATED (1 PER TOOTH)
9	71392280	AR	TOOTH, (RAKE-UP SABRE)
		192	14' MODEL (32 BAR)
		216	16' MODEL (36 BAR)
10	71392328	1	WASHER, 2 X 17/32 X 3/16
11	1102801	1	LOCKWASHER, M12
12	70920328	1	BOLT, 1/2 X 1-1/2 UNC
14	71400818	48	BOLT, 5/16 X 1 UNC GR8
15	1177981	48	LOCKWASHER, M8
16	71392541	96	WASHER, FENDER 3/8 X 1-1/2 X 10GA
17	71392286	6	FINGER BAR (4" X 14')
	71408880	6	FINGER BAR (4" X 16')
18	71392547	AR	SCREW, SHEET METAL #14-3/4"
	71392548	AR	SCREW, SHEET METAL, 5/16"-3/4" (USE WHEN #14-3/4 SCREW STRIPS OUT)
		150	14' MODEL (25/BAR)
		174	16' MODEL (29/BAR)
19	71392540	AR	WASHER, FENDER, 1/4
		150	14' MODEL (25/BAR)
		174	16' MODEL (29/BAR)
20	71392529	AR	BOLT, ELEVATOR 1/4" X 3/4" (1 PER TOOTH)
21	71392459	2	BEARING, 6007 DDU
22	71392264	6	BAR, FINGER (14')
	71408879	6	BAR, FINGER (16')
23	71392506	AR	RETAINER, RAKE-UP STEEL TOOTH (1 PER TOOTH)
24	71392505	AR	TOOTH, RAKE-UP, STEEL
		192	14' MODEL (32 BAR)
		216	16' MODEL (36 BAR)
25	70921958	3	BOLT, 1/4 X 1/2 UNC
26	71392590	1	PLATE, IDLER ROTOR SEAL
27	71392278	1	HOUSING, IDLER ROTOR BRG
28	70920415	4	BOLT, 3/8 X 1-1/4 UNC
29	70950220	4	LOCKWASHER, M10
30	70923518	4	NUT, 3/8 UNC
31	70931209	3	NUT, 1/4, SERRATED FLANGE
32	71392593	6	ARM ASY., IDLER MI, W/BEARINGS
-	71392591	1	ROTOR ASY., IDLER END (COMPLETE) (INCLUDES: IDLER ROTOR, ELBOWS, IDLER FINGER BAR ARMS, AND BEARINGS)

D00024C
PR: t05h23i05d0023

PH13/PH15 PICKUP HEADERS
RAKE-UP ATTACHMENT

MAIN GEAR BOX



PH13/PH15 PICKUP HEADERS
RAKE-UP ATTACHMENT

59

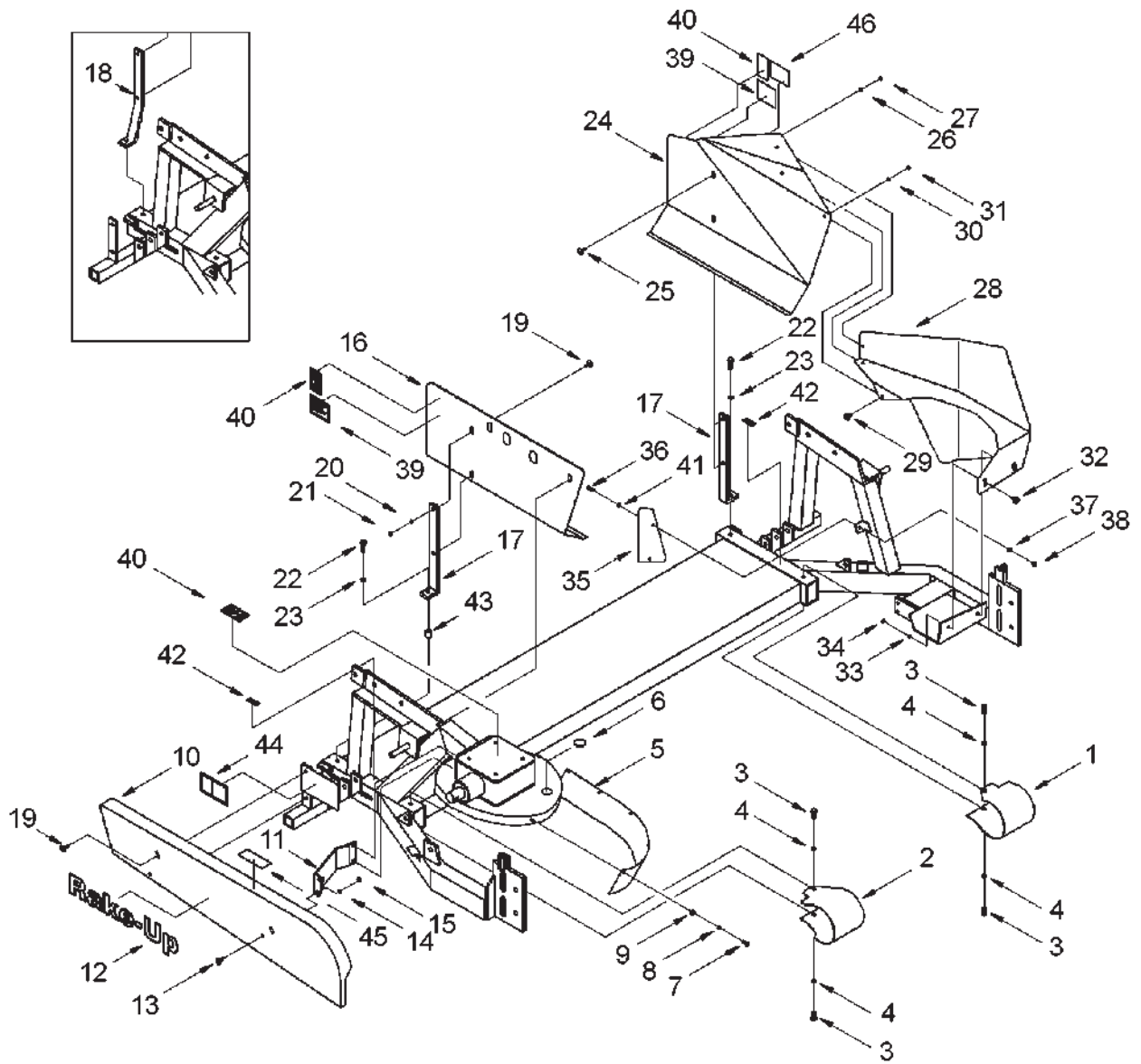
MAIN GEAR BOX

ITEM	NUMBER	QTY	DESCRIPTION
1	71392217	1	HOUSING, GEARBOX (MIRROR)
2	71392553	1	BUSHING, #16 (1-3/8" HOLE, 18GA)
3	71392459	2	BEARING, 6007 DDU
4	71392220	1	SPACER, OUTPUT
5	22289X	2	RING, SNAP 244 INTERNAL
6	71392219	1	GEAR, 11 TOOTH PINION
7	71392265	1	KEY, 1/4 X 1/4 X 1-1/4
8	71392460	2	BEARING, 6206 DDU
9	71392221	1	SPACER, LONG INPUT
10	70927931	1	RING, SNAP, EXTERNAL
11	61770	1	KEY, 3/8" X 3/8" X 1-1/2"
12	71392218	1	GEAR, 36 TOOTH CROWN
13	71392223	1	COVER, SQUARE GEARBOX
14	71392552	1	PLUG, BRASS, 1/8 NF
15	70923504	4	BOLT, 3/8 X 4-1/2 UNC
16	70950220	4	LOCKWASHER, M10
17	71392332	1	GEAR, PINION ASSEMBLY (INCLUDES: BEARINGS, SPACER, AND RINGS)
18	71392542	4	WASHER, FLAT 3/8
-	71392271	1	*LUBE, GEAR, (1-LITER) *(14.4 FLUID OZ. FOR GEARBOX FILL)

D00025
PR: t05h23i05d0024

PH13/PH15 PICKUP HEADERS
RAKE-UP ATTACHMENT

SHIELD ASSEMBLY



**PH13/PH15 PICKUP HEADERS
RAKE-UP ATTACHMENT**

61

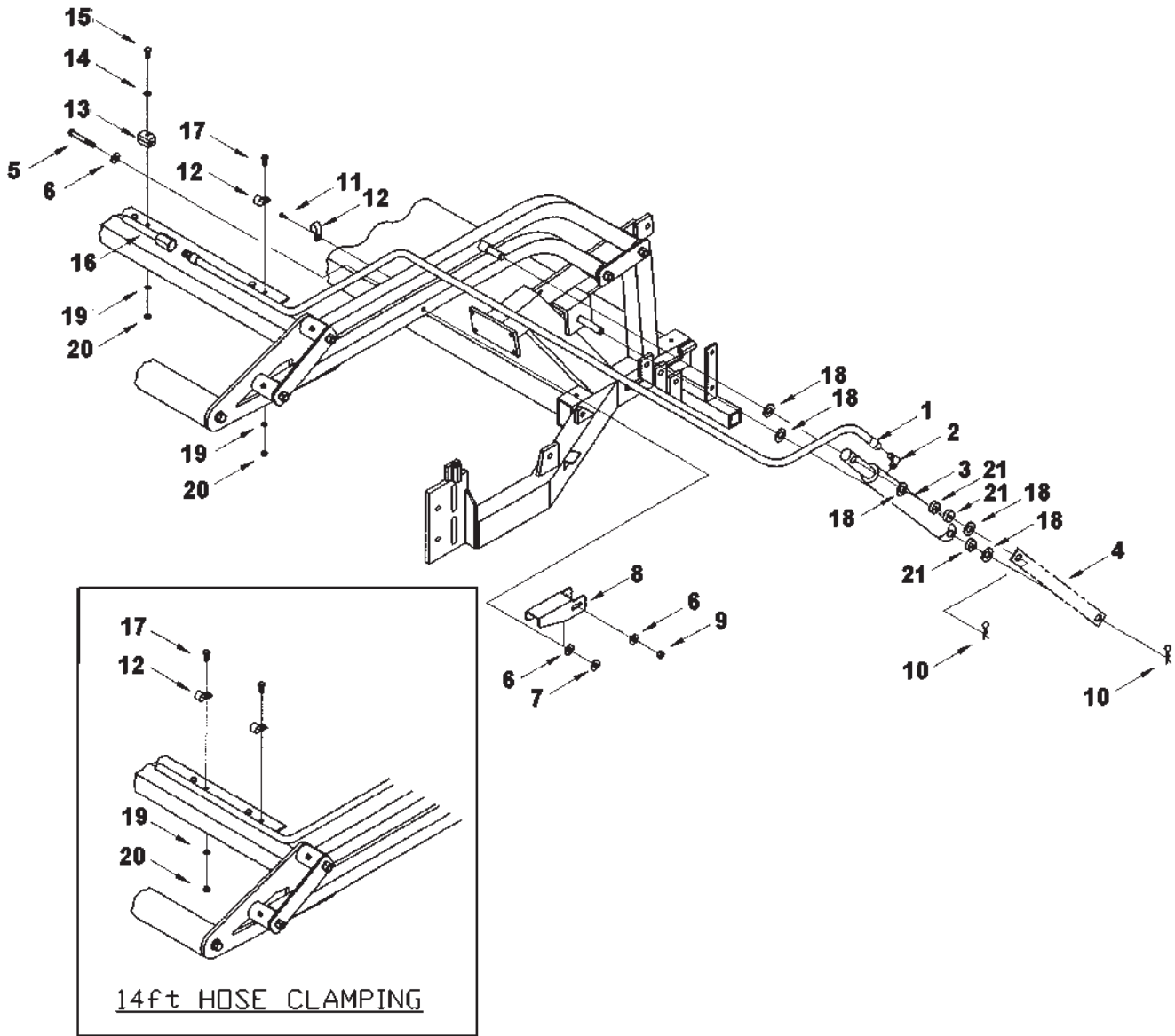
SHIELD ASSEMBLY

ITEM	NUMBER	QTY	DESCRIPTION
1	71392254	1	GUARD, IDLER END FRONT ROLLER (MIRROR)
	71392256	1	GUARD, IDLER END FRT ROLLER (GRASS SEED)
2	71392255	1	DRIVE, FRONT ROLLER (MIRROR)
	71392257	1	GUARD, DRIVE END FRONT ROLLER (GRASS)
3	70921965	4	BOLT, 3/8 X 3/4 UNC
4	70950220	4	LOCKWASHER, M10
5	71392146	1	GUARD, SCROLL PLATE
6	71392279	1	PLUG, SCROLL PLATE, 1-1/4
7	70921958	5	BOLT, 1/4 X 1/2 UNC
8	Y705269	5	LOCKWASHER, M6
9	70920380	5	WASHER, FLAT, 1/4
10	71411079	1	GUARD, BELT (W/DECALS)
11	71392237	1	BRACKET, BELT GUARD (MIRROR)
12	71392147	1	DECAL (RAKE-UP)
13	71392532	3	BOLT, TRUSS, 5/16 X 3/4 UNC
14	1177981	4	LOCKWASHER, M8
15	70917372	4	NUT, 5/16
16	71411080	1	GUARD, WIND, DRIVE END (W/DECAL)
17	71392229	2	BRACKET, WIND GUARD (90)
	71392231	2	BRACKET, WIND GUARD, GRASS SEED
18	71392230	2	BRACKET, WIND GUARD 14'
19	71392531	4	BOLT, TRUSS, 5/16 X 1 UNC
20	1177981	3	LOCKWASHER, M8
21	70917372	3	NUT, 5/16
22	70921210	2	BOLT, 3/8 X 1 UNC
23	70950220	2	LOCKWASHER, M10
24	71411081	1	GUARD, WIND, IDLER END (W/DECAL)
25	71392531	2	BOLT, TRUSS, 5/16 X 1 UNC
26	1177981	2	LOCKWASHER, M8
27	70917372	2	NUT, 5/16
28	71392149	1	GUARD, IDLER ROTOR W/DECAL (MIRROR)
29	71392532	3	BOLT, TRUSS, 5/16 X 3/4 UNC
30	1177981	3	LOCKWASHER, M8
31	70917372	3	NUT, 5/16
32	71392532	2	BOLT, TRUSS, 5/16 X 3/4 UNC
33	1177981	2	LOCKWASHER, M8
34	70917372	2	NUT, 5/16
35	71392259	1	SHIELD, IDLER ROTOR
36	71400818	2	BOLT, 5/16 X 1 UNC GR8
37	1177981	2	LOCKWASHER, M8
38	70917372	2	NUT, 5/16
39	71379128	2	DECAL (WARNING-MOVING)
40	72503345	2	DECAL (WARNING PINCH POINT)
41	70917377	2	WASHER, FLAT, 5/16
42	71392151	2	DECAL (DRAPER BELT TENSION)
43	71392311	2	SPACER (GRASS SEED WIND GUARD BRKT.)
44	71400792	1	DECAL, WARNING (SHIELD OPEN)
45	71411762	1	DECAL, WARNING (STAY CLEAR)
46	71411764	1	DECAL, WARNING (ROTATING PARTS)

D00153C
PR: t05h23i05d0025

PH13/PH15 PICKUP HEADERS
RAKE-UP ATTACHMENT

HYDRAULIC HOLDDOWN & LIFT



PH13/PH15 PICKUP HEADERS
RAKE-UP ATTACHMENT

63

HYDRAULIC HOLDDOWN & LIFT

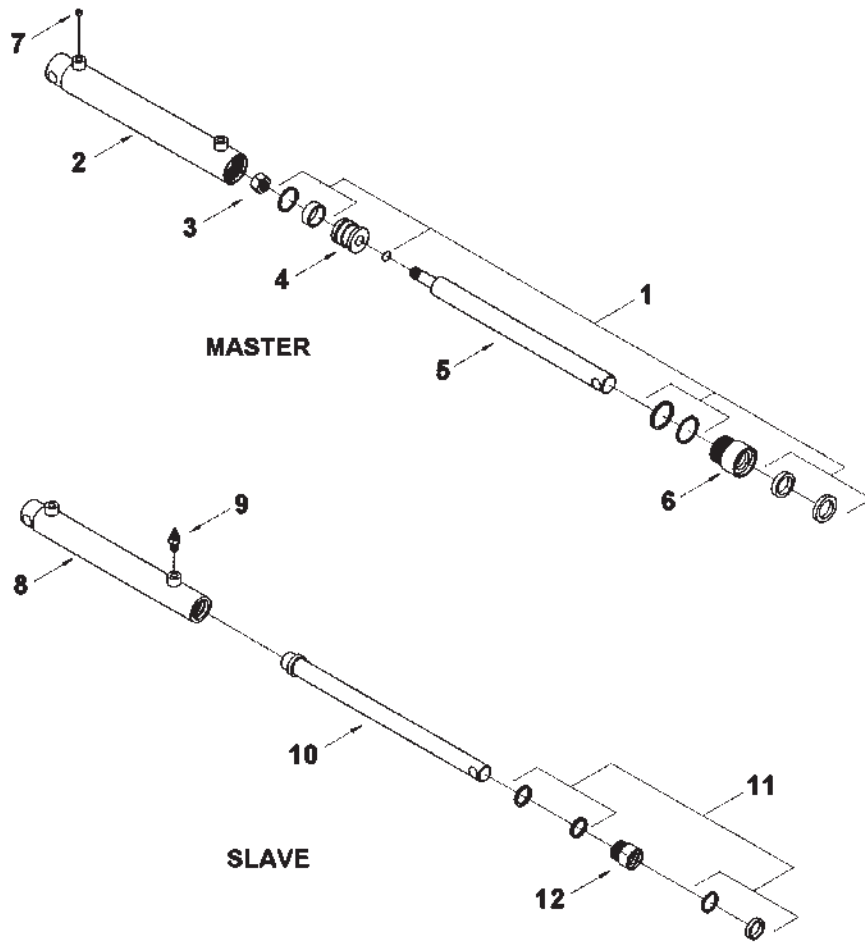
ITEM	NUMBER	QTY	DESCRIPTION
1	71392133	2	HOSE, HYD., FLEX-POINT
2	71392472	2	ELBOW, #6 M ORB X #6 M JIC
3	71400808	1	CYLINDER, MASTER, 3000 PSI, 1-1/2" BORE X 10" STROKE
3	71392157	1	CYLINDER, SLAVE, 3000 PSI, 1.25" BORE X 10" STROKE
4	71392303	2	BRACE, CYLINDER (FOR SHIPPING ONLY)
5	70921973	2	BOLT, 3/8 x 2-3/4 UNC
6	71392542	6	WASHER, FLAT 3/8
7	71392543	2	WASHER, NEOPRENE, 3/8 X 1.1 X .062
8	71392446	2	LOCK, SAFETY
9	71392134	2	NUT, UNITORQUE 3/8
10	71392492	4	PIN, HITCH, 1/8 X 2-9/16
11	71392547	3	SCREW, SHEET METAL #14 - 3/4"
12	71392135	6	CLAMP, HYD. HOSE, 9/16
13	71392136	6	CLAMP, DRILLED, 3/8" PIPE
14	70917377	AR	WASHER, FLAT, 5/16
15	71392137	AR	BOLT, 5/16 X 2 UNC
16	71392139	1	STEEL LINE, HYD HOLD
17	70921332	AR	BOLT, 5/16 X 3/4 UNC
18	70918268	11	WASHER, FLAT 5/8
19	1177981	AR	LOCKWASHER, M8
20	70917372	AR	NUT, 5/16
21	71400809	8	WASHER, .625 X .781 X .188

*NOTE: 3000PSI CYLINDER HAS #3 STAMPED
IN CYLINDER SHAFT END.

D00154B
PR: t05h23i05d0026

PH13/PH15 PICKUP HEADERS
RAKE-UP ATTACHMENT

HYDRAULIC CYLINDER ASSEMBLY



**PH13/PH15 PICKUP HEADERS
RAKE-UP ATTACHMENT**

65

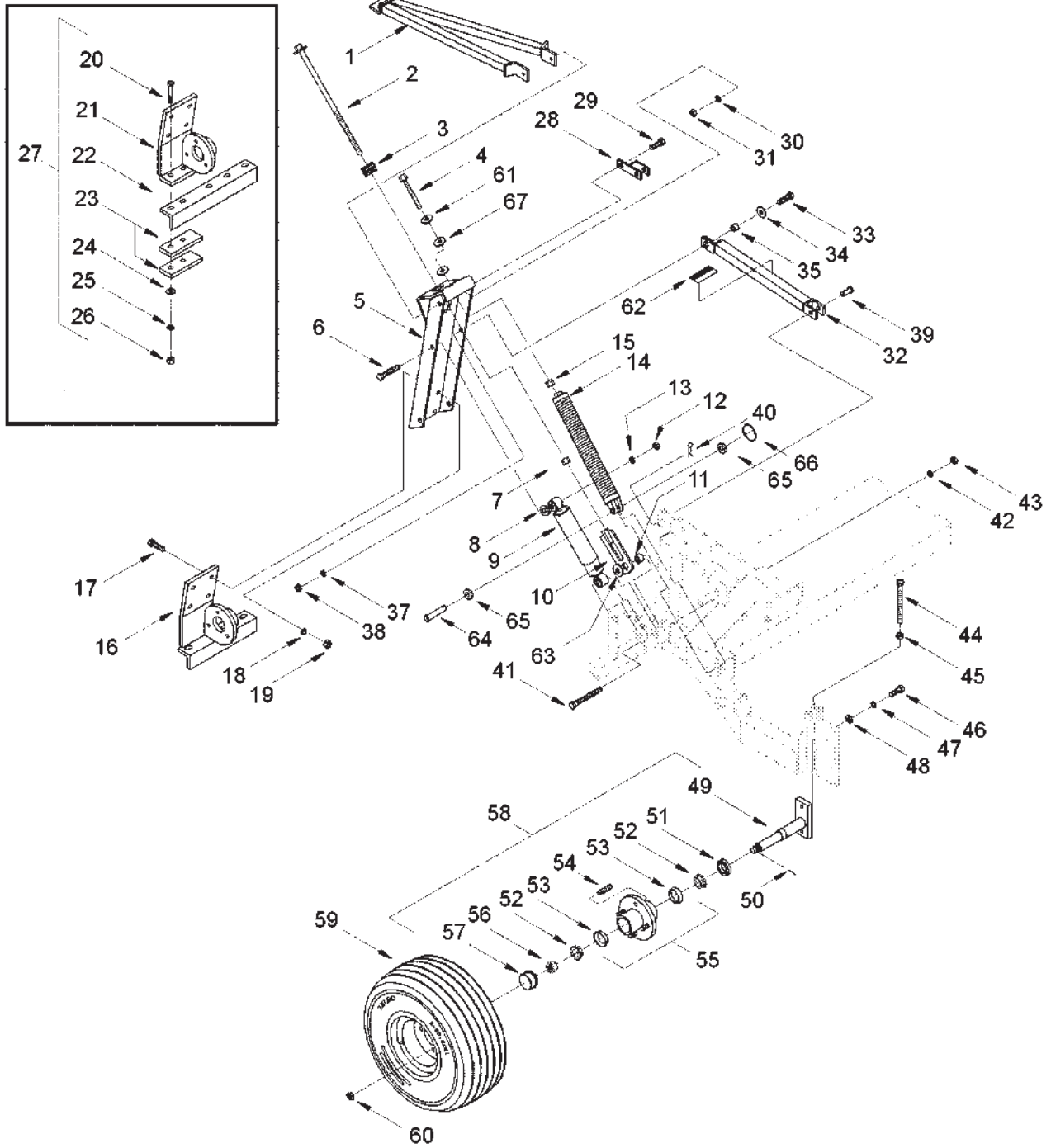
HYDRAULIC CYLINDER ASSEMBLY

ITEM	NUMBER	QTY	DESCRIPTION
1	71400810	1	SEAL KIT, 3000 PSI MASTER
2	-----	1	BARREL, MASTER
3	71392486	1	NUT, LOCKING, 5/8 UNF
4	71400811	1	PISTON, 3000 PSI MASTER
5	71400812	1	SHAFT, 3000 PSI MASTER
6	71400813	1	GLAND, 3000 PSI MASTER
7	71392272	1	ORIFICE, #6 ORB X 0.03125
8	-----	1	BARREL, SLAVE
9	71392141	1	BLEED SCREW, 3000 PSI, #4 ORB
10	71392142	1	SHAFT, SLAVE, 3000 PSI
11	71392143	1	SEAL KIT, SLAVE, 3000 PSI
12	71392144	1	GLAND, SLAVE, 3000 PSI

D00170B
PR: t05h23i05d0027

PH13/PH15 PICKUP HEADERS
RAKE-UP ATTACHMENT

MAIN FRAME ASSEMBLY



**PH13/PH15 PICKUP HEADERS
RAKE-UP ATTACHMENT**

67

MAIN FRAME ASSEMBLY

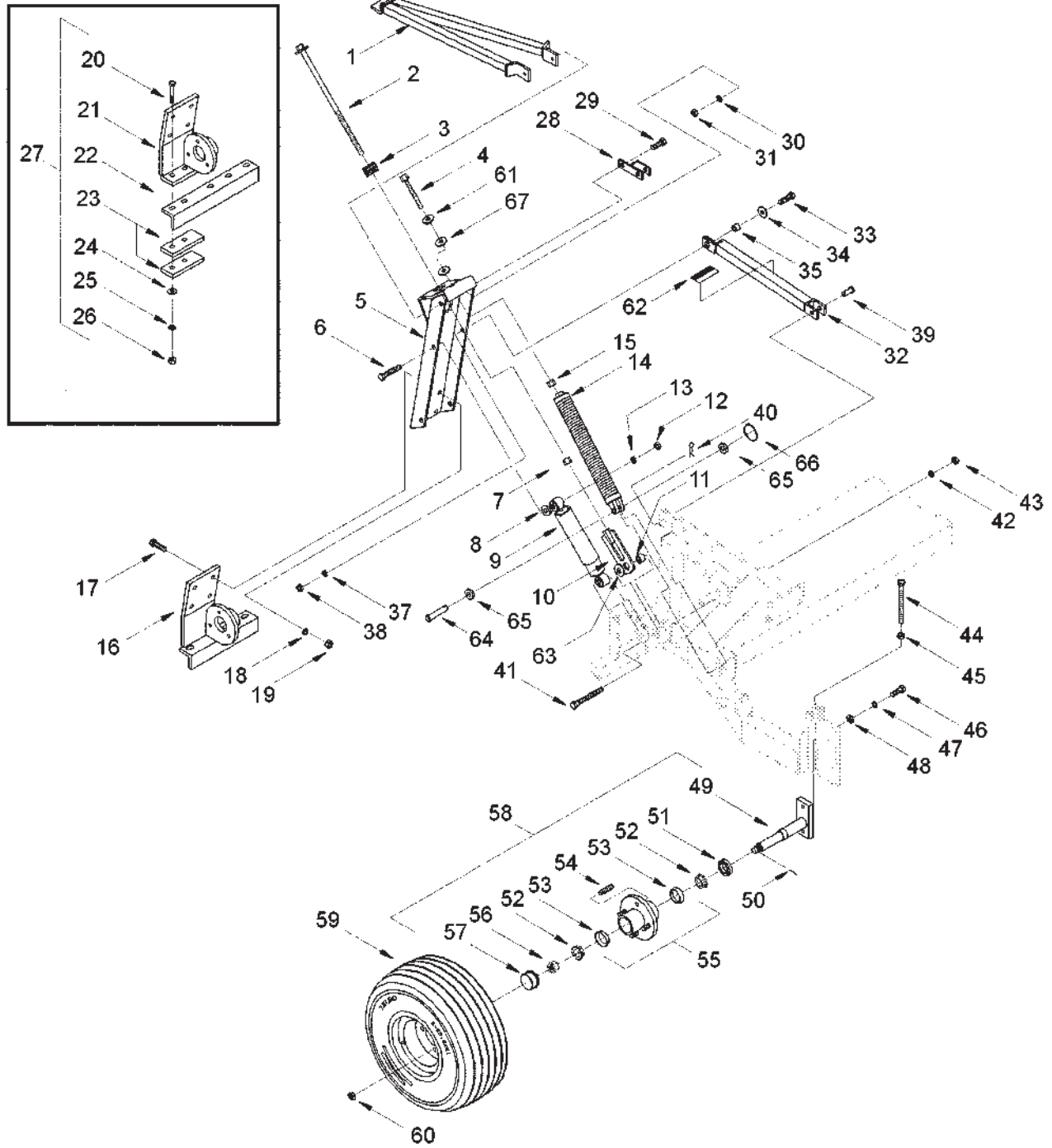
ITEM	NUMBER	QTY	DESCRIPTION
1	71392408	1	BRACE, HEADER, RH
	71392409	1	BRACE, HEADER, LH
-	70920328	6	BOLT, 1/2 X 1-1/2 UNC
-	70926007	6	NUT, 1/2 UNC
-	1102801	6	LOCKWASHER, M12
2	71392324	2	BOLT, LIFTER ADJUST
3	71392274	8	STOPPER, RUBBER
4	71400799	2	BOLT, 5/8-11 X 12 GR5 PLTD
5	71400793	2	UPRIGHT, CHANNEL, WITH 3/4 BOLT HOLES
6	70923320	2	BOLT, 1/2 X 3 UNC
7	70932665	2	NUT, 5/8 UNC
8	71392327	2	WASHER, 1-1/4 X 17/32 X 1/4
9	71392502	2	SHOCK ABSORBER
10	71400797	2	BRACKET, LIFTER
11	71392275	2	BUSHING, LIFTER BRACKET
12	70926007	2	NUT, 1/2 UNC
13	1102801	2	LOCKWASHER, M12
14	71400798	2	SPRING, EXTENSION, C/W PLUGS
15	70926007	2	NUT, 1/2 UNC
16	71392225	1	BRACKET, MOUNTING, LH (ON CUTTER BAR)
	71392226	1	BRACKET, MOUNTING, RH (ON CUTTER BAR)
17	70920328	8	BOLT, 1/2 X 1-1/2 UNC
18	1102801	12	LOCKWASHER, M12
19	70926007	12	NUT, 1/2 UNC
20	70921211	4	BOLT, 1/2 X 2-1/2 UNC
21	71392235	1	BRACKET, MOUNTING, LH (BELOW CUT BAR)
	71392236	1	BRACKET, MOUNTING, RH (BELOW CUT BAR)
22	71392233	1	ANGLE, LH (BELOW CUTTER BAR)
23	71392232	4	SHIM, MOUNTING BRACKET (BELOW CUT BAR)
24	71392544	4	WASHER, FLAT, 1/2
25	1102801	4	LOCKWASHER, M12
26	70926007	4	NUT, 1/2 UNC
27	71392227	1	BRACKET, LH MOUNTING ASY.
	71392228	1	BRACKET, RH MOUNTING ASY.
28	71392242	2	HOLDER, STORAGE BRACE
29	70921024	2	BOLT, 1/2 X 2 UNC
30	1102801	2	LOCKWASHER, M12
31	70926007	2	NUT, 1/2 UNC
32	71411082	1	STORAGE BRACE, RH
	71411083	1	STORAGE BRACE, LH
33	70919089	2	BOLT, 1/2 X 1-3/4 UNC
34	71392544	2	WASHER, FLAT, 1/2
35	71392302	2	BUSHING, STORAGE BRACE
37	1102801	2	LOCKWASHER, M12
38	70926007	2	NUT, 1/2 UNC
39	71408909	2	PIN, 1/2 X 2.5
40	71408908	2	PIN, GRIP CLIP, 1/8 X 2-9/16
41	70923161	2	BOLT, 1/2 X 4-1/2 UNC
42	1102801	2	LOCKWASHER, M12
43	70926007	2	NUT, 1/2 UNC
44	71392268	2	BOLT, HEIGHT ADJUST, 1/2 X 6
45	70926007	2	NUT, 1/2 UNC
46	70920328	4	BOLT, 1/2 X 1-1/2 UNC

CONTINUED

D00160D
PR: t05h23i05d0028

PH13/PH15 PICKUP HEADERS RAKE-UP ATTACHMENT

MAIN FRAME ASSEMBLY



**PH13/PH15 PICKUP HEADERS
RAKE-UP ATTACHMENT**

69

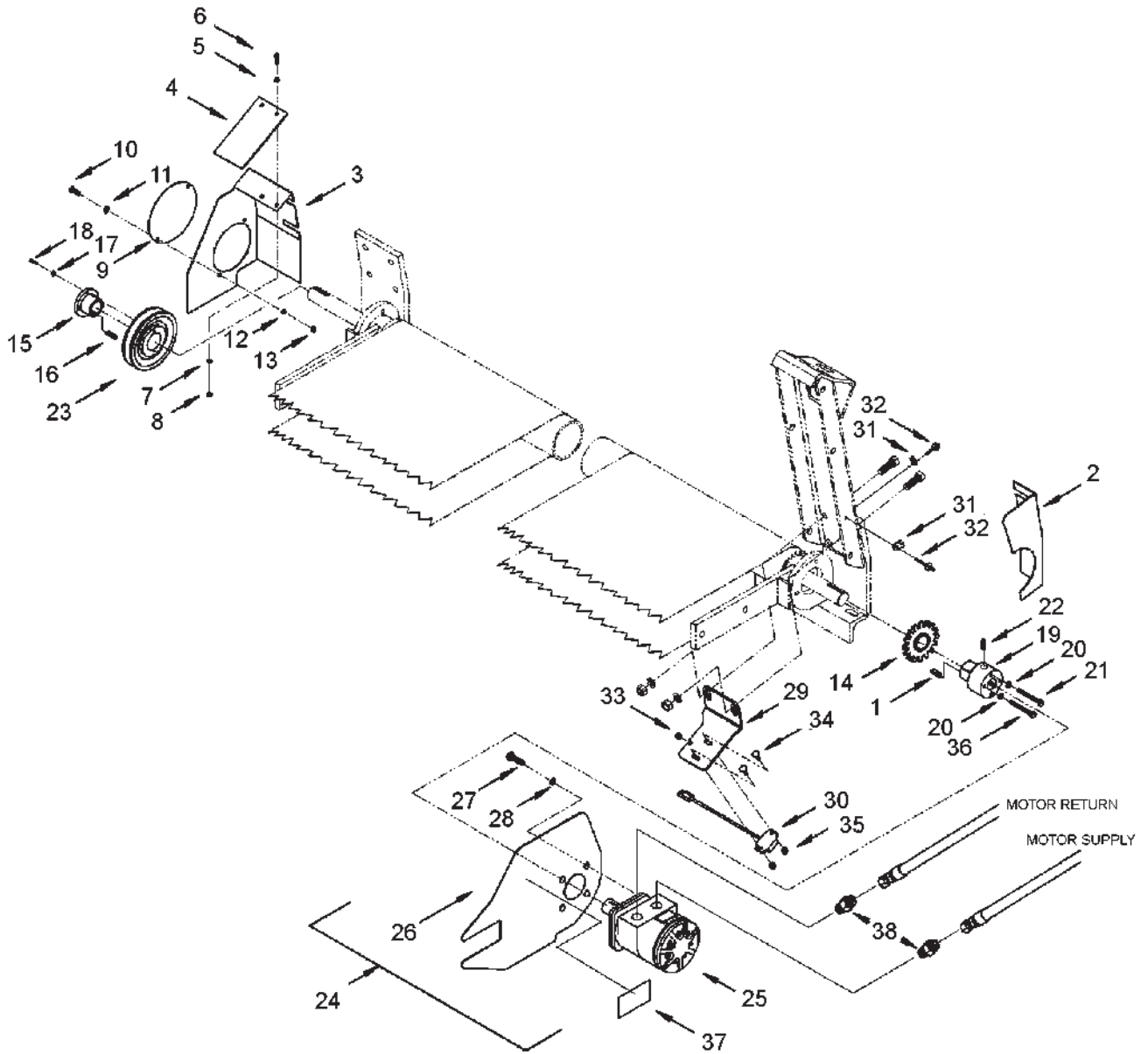
MAIN FRAME ASSEMBLY

ITEM	NUMBER	QTY	DESCRIPTION
47	1102801	4	LOCKWASHER, M12
48	71392544	4	WASHER, FLAT, 1/2
49	71392270	2	SPINDLE, CONESTOGA
50	70918455	2	PIN, COTTER, 5/32 X 1
51	71392557	2	SEAL, CONESTOGA
52	70937219	4	CONE, BEARING L44649
53	832190M1	4	CUP, BEARING L44610
54	71392496	8	STUD, 1/2 UNF CONESTOGA HUB
55	71392495	2	HUB, CONESTOGA (W/CUPS & STUDS)
56	71392539	2	NUT, 1" NF CASTELLATED
57	71392498	2	CAP, DUST, CONESTOGA
58	71392267	2	HUB & SPINDLE ASY. (INCL. ITEM # 60)
59	71392504	2	TIRE ASY. (W/RIM)
	71392499		TIRE, 18X8.50-8
	71392500		TUBE, 18X8.5/9.5-8
	71392501	1	RIM (8") (4-BOLT/SILVER)
60	71392538	8	NUT, 1/2 UNF, WHEEL
61	71400804	2	WASHER 5/8
62	71411763	2	DECAL, UNLOCK BEFORE USE
63	71400774	2	WASHER, 7/8
64	71400806	2	PIN, CLEVIS, 1/2 X 2-1/4
65	Y705624	4	WASHER, FLAT, 1/2
66	71400822	2	RING, SPLIT, 1-1/4
67	71400807	2	WASHER, 5/8 USS PL
-	71400819	2	KIT, SPRING (INCL. ITEMS 4, 14, 15, 61 64, 65, 66 & 67)

D00160D
PR: t05h23i05d0028

PH13/PH15 PICKUP HEADERS
RAKE-UP ATTACHMENT

DRIVE & SPEED CONTROL



**PH13/PH15 PICKUP HEADERS
RAKE-UP ATTACHMENT**

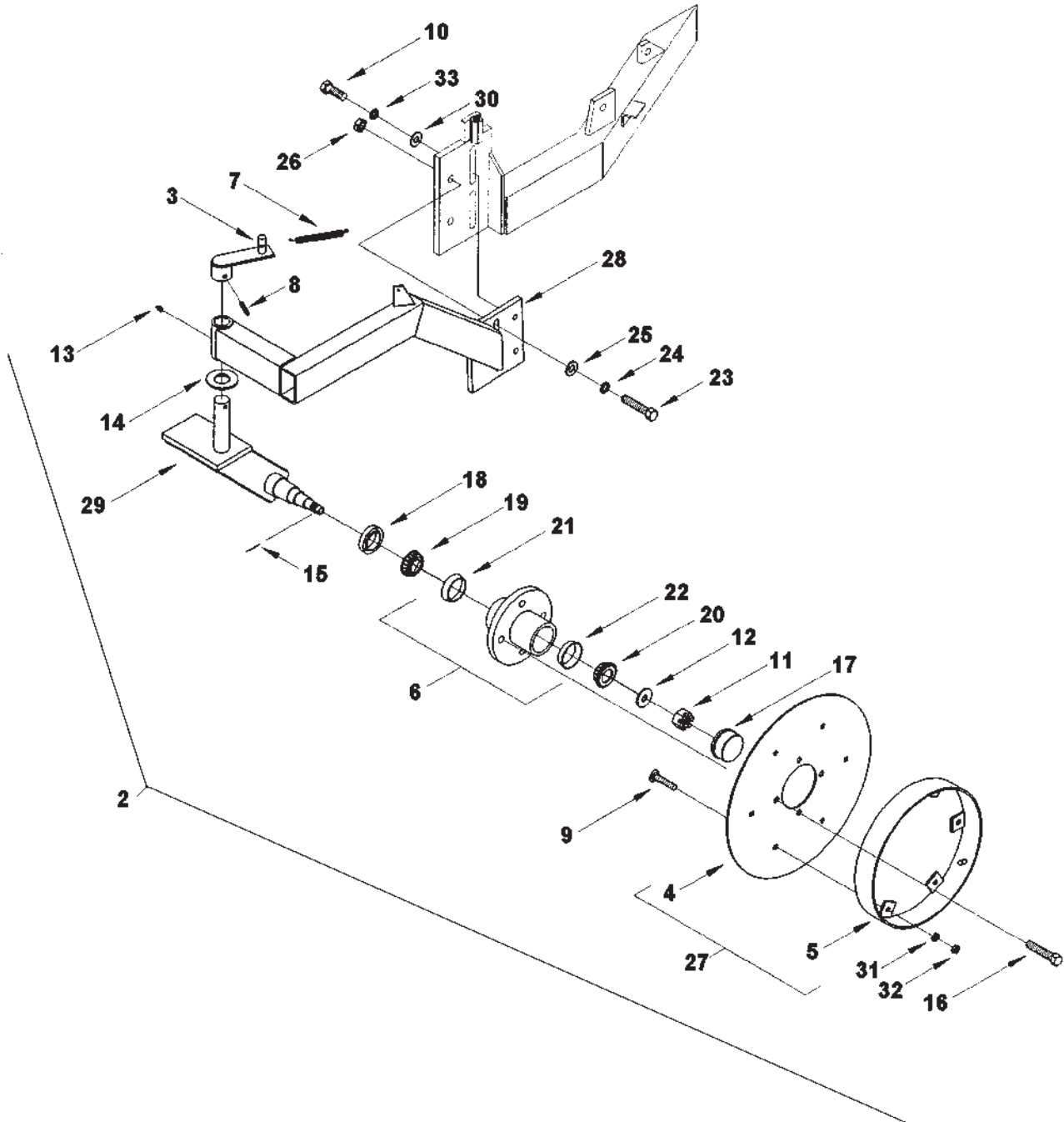
71

DRIVE & SPEED CONTROL

ITEM	NUMBER	QTY	DESCRIPTION
1	71392265	1	KEY, 1/4 X 1/4 X 1-1/4
2	71392258	1	GUARD, ALT. END DRIVE, (MIRROR)
3	71392251	1	GUARD, REAR BELT
4	71392252	1	FLAP, GUARD (REAR BELT)
5	70920380	2	WASHER, FLAT, 1/4
6	70921960	2	BOLT, 1/4 X 1 NC
7	Y705269	2	LOCKWASHER, M6
8	70916622	2	NUT, 1/4-20
9	71392253	2	COVER, DRIVE GUARD END
10	70921960	2	BOLT, 1/4 X 1 NC
11	70920380	2	WASHER, FLAT, 1/4
12	Y705269	2	LOCKWASHER, M6
13	70916622	2	NUT, 1/4-20
14	71400823	1	TARGET ASY., 16 LOBE
15	71392154	1	HUB, SPLIT-TAPER
16	71392546	1	KEY, 3/16 X 1/4 X 1-1/4
17	Y705269	2	LOCKWASHER, M6
18	70923341	2	BOLT, 1/4 X 3/4 UNC
19	71400783	1	COUPLING, HYD. MOTOR
20	Y705269	4	LOCKWASHER, M6
21	71400794	2	BOLT, 1/4 X 1-1/2 UNC GR5 TAP
22	70923326	2	SETSCREW, SQ HD, 3/8 X 1
23	71392243	1	PULLEY, DRAPER (MB52L)
24	71392309	AR	KIT, ORBIT MOTOR (46CC)
	71392310	AR	KIT, ORBIT MOTOR (74CC)
25	-----	AR	ORBIT MOTORS (REFERENCE BELOW)
	71392162	AR	MOTOR, ORBIT (I.D.#101-1009)
	71392163	AR	MOTOR, ORBIT (I.D.#101-1010)
	71408907	AR	MOTOR, ORBIT (101-1751-009)
26	71411078	1	TORQUE ARM, HYD. MTR, W/DECAL
27	70921965	4	BOLT, 3/8 X 3/4 UNC
28	70950220	4	LOCKWASHER, M10
29	71400776	1	MOUNT, SENSOR
30	71400769	1	SENSOR, SPEED
31	71400767	2	CLAMP, BLACK NYLON 1/4
32	71400772	2	RIVET, 3/16 X 1/4 X 3/8, STEEL
33	71400768	1	GROMMET 3/16 ID X 3/16 GRV X 5/16 HOLE
34	71400777	2	BOLT, TRUSS 1/4 X 3/4
35	71400770	2	NUT, 1/4 UNC, NYLOCK
36	71400795	2	BOLT, 1/4 X 1-1/2 UNC GR5 TAP
37	71411764	1	DECAL, WARNING (ROTATING PARTS)
38	71411150	2	ADAPTER, ORB TO JIC
-	71400796	1	KIT, HYD MOTOR COUPLING (INCL. ITEMS 19, 20, 21 & 36)
-	71392473	AR	KIT, SEAL (ORBIT MOTOR)

D00464C
PR: t05h23i05d0029

PEA COULTER ASSEMBLY



**PH13/PH15 PICKUP HEADERS
ACCESSORIES**

73

PEA COULTER ASSEMBLY

ITEM	NUMBER	QTY	DESCRIPTION
-	71387039	1	PEA COULTER, COMPLETE (ORDER THRU DEALER CENTRAL)
2	71392312	1	COULTER ASY., LH
	71392313	1	COULTER ASY., RH
3	71392318	1	ARM, SPRING
4	71392319	1	BLADE, COULTER
5	71392320	1	RIM, DEPTH
6	71392321	1	HUB (INCLS. ITEMS 21 & 22)
7	71392467	1	SPRING, COULTER
8	71392494	1	PIN, ROLL, (SLOTTED) 5/16 X 2
9	71392534	6	BOLT, CARRIAGE, 3/8-16 X 1
10	71392356	2	BOLT, 1/2 X 1 UNC
11	70918787	1	NUT, CASTLE, 3/4-16 (BLACK)
12	70918269	1	WASHER, FLAT, 3/4
13	71392550	1	NIPPLE, GREASE 1/8 NPT STR
14	71392554	2	BUSHING, MACHINERY, 1-1/4 I.D. 10GA
15	71392558	1	PIN, COTTER, 1/8 X 1-3/4
16	71411767	4	BOLT, WHEEL, 1/2-20
17	71392164	1	CAP, DUST (DC12)
18	70327535	1	SEAL (14974)
19	70327382	1	CONE, BEARING, (LM 67048-INNER)
20	831055M1	1	CONE, BEARING, (LM 11949-OUTER)
21	70327997	1	CUP, BEARING, (LM 67010-INNER)
22	70328002	1	CUP, BEARING, (LM 11910-OUTER)
23	70919089	2	BOLT, 1/2 X 1-3/4 UNC
24	1102801	2	LOCKWASHER, M12
25	71392544	2	WASHER, FLAT, 1/2
26	70926007	2	NUT, 1/2 UNC
27	71392595	1	WHEEL ASY., COULTER
28	71392314	1	COULTER, UPPER, LH
	71392315	1	COULTER, UPPER, RH
29	71392316	1	COULTER, LOWER, LH
	71392317	1	COULTER, LOWER, RH
30	71392544	2	WASHER, FLAT, 1/2
31	70950220	6	LOCKWASHER, M10
32	70923518	6	NUT, 3/8 UNC
33	1102801	2	LOCKWASHER, M12

D00223A
PR: t05h23i05d0030

CONVERSION KIT
660 TO 670
71407036

**ILLUSTRATION NOT
AVAILABLE**

XXXXXXXX

**PH13/PH15 PICKUP HEADERS
ADAPTER PACKAGES**

75

**CONVERSION KIT
660 TO 670
71407036**

ITEM	NUMBER	QTY	DESCRIPTION
-	2499640W1	4	FINGER, AUGER
-	71393759	1	FLIGHTING EXT., MED RH
-	71393758	1	FLIGHTING, EXTENSION, MED LH
-	71411118	1	PANEL, FILLER, RH
-	71411119	1	PANEL, FILLER, LH
-	71392493	4	PIN, HITCH, 3/16 W,.87-1.25
-	2500000W1	4	GUIDE, AUGER FINGER
-	71411056	1	BOLT, M6 X 1 X 20
-	71392581	2	NUT, ANCHOR M6 X 1
-	70950984	1	NUT, LOCK, M6 X 1
-	71392587	2	WASHER, FLAT, M6, LARGE O.D.

NOTE: THIS PAGE WAS CREATED TO PROVIDE A
PARTS LISTING FOR THE ADAPTER CONVERSION
KIT. NO ILLUSTRATION IS AVAILABLE.
SERVICE PARTS LISTED ABOVE ARE
ILLUSTRATED ON PRIOR PAGES.

XXXXXXXX
PR: t05h23i05d0031

CONVERSION KIT
670 TO 660
71407037

**ILLUSTRATION NOT
AVAILABLE**

XXXXXXXX

**PH13/PH15 PICKUP HEADERS
ADAPTER PACKAGES**

77

**CONVERSION KIT
670 TO 660
71407037**

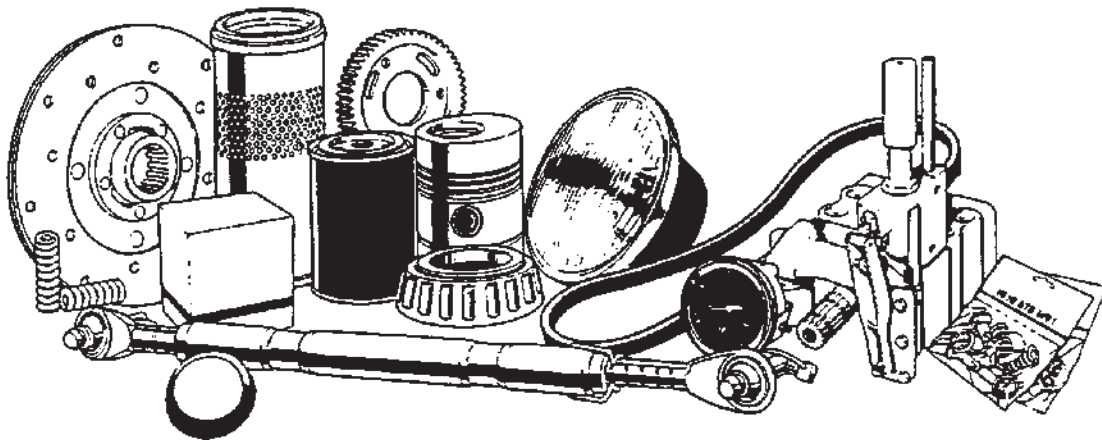
ITEM	NUMBER	QTY	DESCRIPTION
-	71408926	4	COVER, FINGER HOLE
-	71400756	1	FLIGHTING, EXTENSION, LH
-	71400757	1	FLIGHTING, EXTENSION, RH
-	71411116	1	PANEL, FILLER, RH
-	71411117	1	PANEL, FILLER, LH
-	71411056	1	BOLT, M6 X 1 X 20
-	71392565	7	BOLT, CARRIAGE M8 X 1.25 X 25MM
-	71392581	2	NUT, ANCHOR M6 X 1
-	70950984	1	NUT, LOCK, M6 X 1
-	71392582	7	NUT, HEX M8 X 1.25
-	71392587	2	WASHER, FLAT, M6, LARGE O.D.
-	1177981	7	LOCKWASHER, M8
-	390972X1	7	WASHER, FLAT, M8

NOTE: THIS PAGE WAS CREATED TO PROVIDE A
PARTS LISTING FOR THE ADAPTER CONVERSION
KIT. NO ILLUSTRATION IS AVAILABLE.
SERVICE PARTS LISTED ABOVE ARE
ILLUSTRATED ON PRIOR PAGES.

XXXXXXXX
PR: t05h23i05d0032

RECOMMENDED DEALER STOCK

RECOMMENDED DEALER'S STOCK



PH13/PH15 PICKUP HEADERS
RECOMMENDED DEALER LIST

79

RECOMMENDED DEALER STOCK

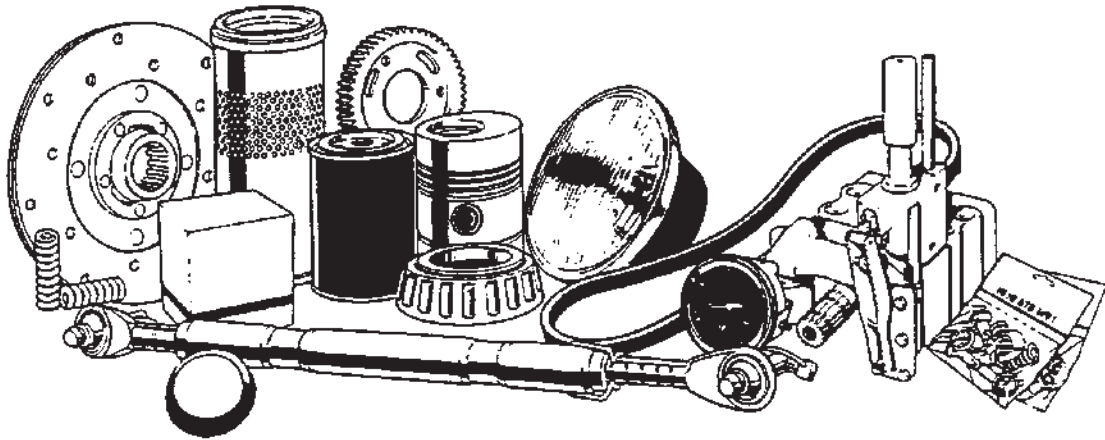
ITEM	NUMBER	QTY	DESCRIPTION
-	71392336	1	HOUSING
-	71392270	1	SPINDLE
-	71392557	2	SEAL
-	70937219	2	BEARING CONE
-	832190M1	2	BEARING CUP
-	71392498	1	DUST CAP
-	71392495	1	HUB
-	71392496	2	STUD
-	71392362	50	TOOTH
-	71392529	25	ELEVATOR BOLT
-	70931209	25	FLANGE NUT
-	71392451	2	DRAPER BELT
-	71392452	2	DRAPER BELT
-	71392468	1	IDLER SPROCKET
-	71392455	2	BEARING ASY.
-	71392456	2	BEARING COLLAR
-	71392359	1	SPROCKET
-	71392128	1	HUB
-	71400783	1	COUPLING
-	71392265	2	KEY
-	71392360	1	SPROCKET
-	71408914	1	SPROCKET, 13 TEETH (OPTIONAL)
-	71392331	1	ROLLER HOUSING ASY.
-	71392473	1	SEAL KIT
-	71392502	1	SHOCK ABSORBER
-	71392324	1	LIFTER ADJ. BOLT
-	71400798	1	SPRING, EXTENSION, C/W PLUGS
-	71392143	1	SEAL KIT
-	71400810	1	SEAL KIT
-	71392244	1	IDLER PULLEY
-	71392466	1	SPRING TIGHTENER
-	71392277	1	BUSHING
-	71392282	2	BELT EDGE PROTECTOR
-	71392245	1	PULLEY
-	71392454	2	BELT
-	71392161	6	BUSHING
-	71392530	25	ELEVATOR BOLT
-	71392596	1	BELT ASY., DRAPER (COMPLETE)
-	71400769	1	SENSOR, SPEED

CONTINUED

RDL
PR: t05h23i05d0033

RECOMMENDED DEALER STOCK

RECOMMENDED DEALER'S STOCK



PH13/PH15 PICKUP HEADERS
RECOMMENDED DEALER LIST

81

RECOMMENDED DEALER STOCK

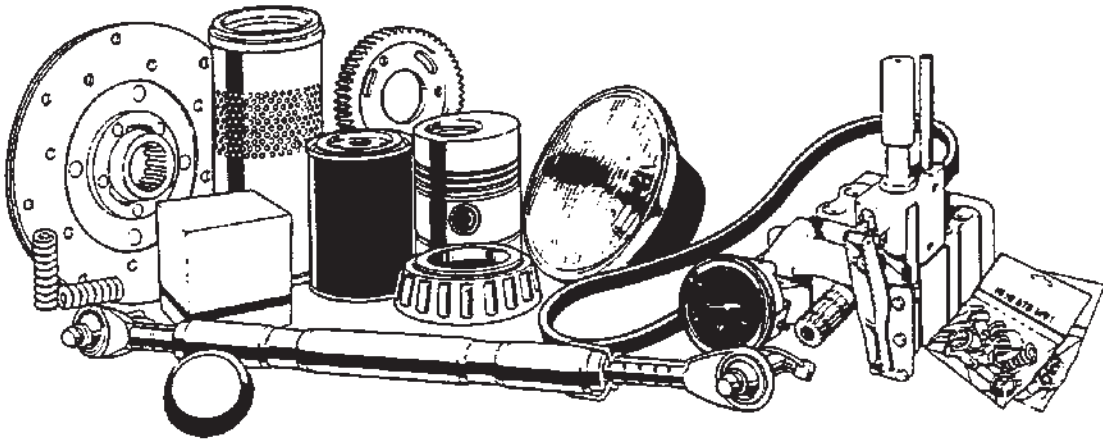
ITEM	NUMBER	QTY	DESCRIPTION
-	71392457	4	BEARING
-	71392458	2	BEARING
-	71392261	2	SHOULDER BOLT
-	71392214	2	FOLLOWER ARM
-	71392213	2	FINGER BAR ARM
-	71392222	1	SMALL GEARBOX
-	71392555	1	BUSHING
-	71392266	2	KEY
-	71392212	2	ELBOW
-	71411728	1	SPROCKET
-	71392401	1	RUBBER STOPPER
-	71392368	1	ADJUSTER
-	71392464	4	FLANGE
-	71392462	2	BEARING ASY.
-	71408927	1	SHAFT, HEADER
-	71408917	1	EYE BOLT, PLATED
-	71408918	1	SPACER, AUGER PIVOT
-	71408921	1	LEVER, FINGER ADJ. ARM
-	71392397	1	COVER, HAND HOLE
-	71408926	1	COVER, FINGER HOLE
-	71392463	2	BEARING ASY.
-	71392465	4	FLANGE
-	71392374	2	CLAMP
-	71392403	1	STUB SHAFT
-	71392396	1	FINGER SHAFT
-	71408925	1	SHAFT, FINGER CRANK
-	71392427	6	FINGER HOLDER
-	2499640W1	12	FINGER
-	71392493	6	HITCH PIN
-	2500000W1	12	FINGER GUIDE
-	71408931	1	AUGER DRIVE SHAFT
-	71374220	1	REPAIR KIT
-	71359175	1	REPAIR KIT
-	71408923	1	LIGHT ASY.
-	71392517	2	LENS
-	71400824	1	TARGET ASY., 16 LOBE
-	71400823	1	TARGET ASY., 16 LOBE
-	71393773	1	BEARING, 45MM BORE

CONTINUED

RDL
PR: t05h23i05d0033

RECOMMENDED DEALER STOCK

RECOMMENDED DEALER'S STOCK



**PH13/PH15 PICKUP HEADERS
RECOMMENDED DEALER LIST**

83

RECOMMENDED DEALER STOCK

ITEM	NUMBER	QTY	DESCRIPTION
-	71411766	2	BULB
-	71358564	1	MALE COUPLER
-	71365883	1	FEMALE COUPLER
-	71328361	1	COUPLER
-	71392404	1	SPROCKET
-	71411738	2	U-JOINT, DRIVE SHAFT
-	71392520	1	CLUTCH ASY.
-	8800567	1	CHAIN
-	71411142	1	CHAIN, #60 (103 LINKS)
-	71392367	1	CHAIN ASY., #50
-	71392288	2	SPRING WIRE
-	71392503	2	FIBERGLASS ROD
-	71392300	2	BUSHING
-	71392301	2	BUSHING
-	71392289	2	CLIPS
-	71392593	2	FINGER BAR IDLER ARM
-	71392269	2	BEARING CAP
-	71392459	2	BEARING
-	71392278	1	HOUSING
-	71392280	50	TOOTH
-	71392286	2	FINGER BAR (14')
-	71408880	2	FINGER BAR (16')
-	71392264	2	BAR, FINGER (14')
-	71408879	2	BAR, FINGER (16')
-	71392264	2	FINGER BAR
-	71392460	1	BEARING, 6206 DDU
-	71392243	1	PULLEY
-	71392546	2	KEY
-	70327535	2	SEAL
-	70327382	2	BEARING CONE
-	70327997	2	BEARING CUP
-	831055M1	2	BEARING CONE
-	70328002	2	BEARING CUP
-	71392164	1	DUST CAP
-	71392467	1	SPRING

NOTE: THIS PARTS STOCK LIST INDICATES
THOSE ITEMS RECOMMENDED TO SERVICE FIVE
UNITS.

RDL
PR: t05h23i05d0033