

**Deutz Engines  
F3M 1011F  
BF3M 1011F  
F4M 1011F  
BF4M 1011F**

Used In:

**SL4635, SL4835,  
SL5635, SL6635  
Skid-Steer Loaders**

Form No.  
917115

Rev. B  
11/05



**Engine Service Parts Manual**

**GEHL®**

## **Introduction**

This manual covers F3M 1011F and BF3M 1011F engines used in SL4635 and SL4835 skid-steer loaders and F4M 1011F and BF4M 1011F engines used in SL5635 and SL6635 skid-steer loaders. When ordering service parts, specify the correct part number, full description, quantity required, and the engine model number and serial number (located on a plate on the valve mechanical cover).

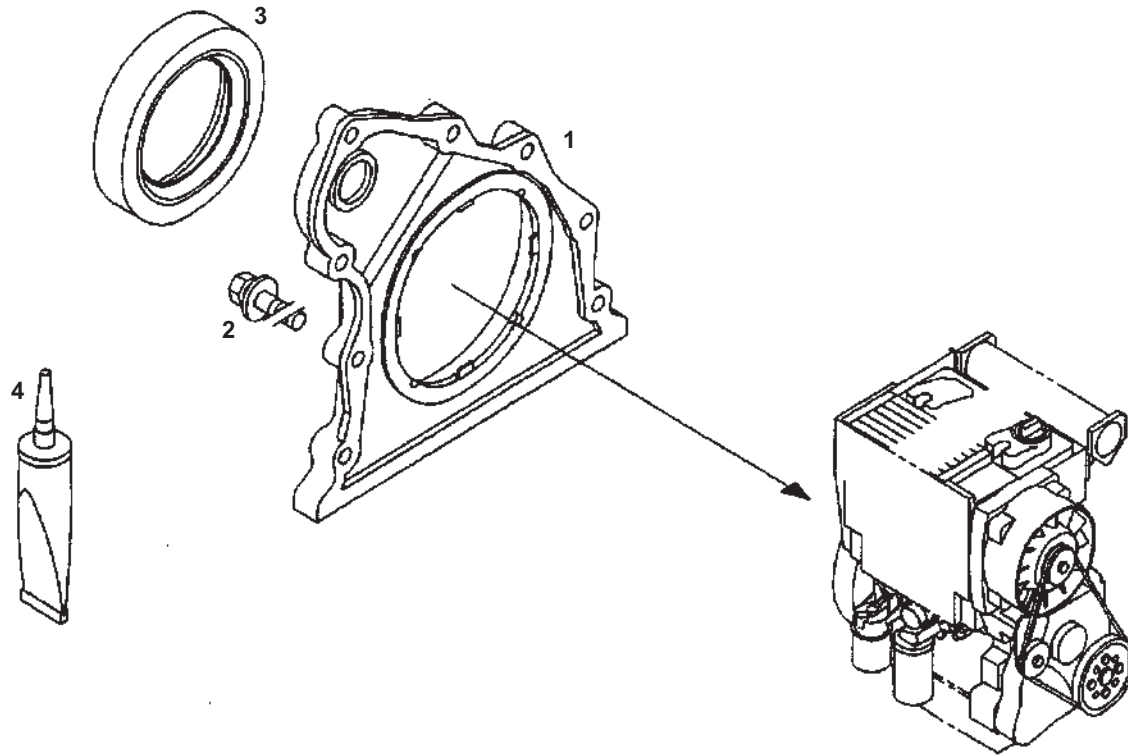
Items shown that do not have a part number are shown for reference purposes only and are not available for purchase separately.

Use only genuine original equipment manufacturer service parts. All service parts should be obtained from or ordered through your Gehl® dealer.

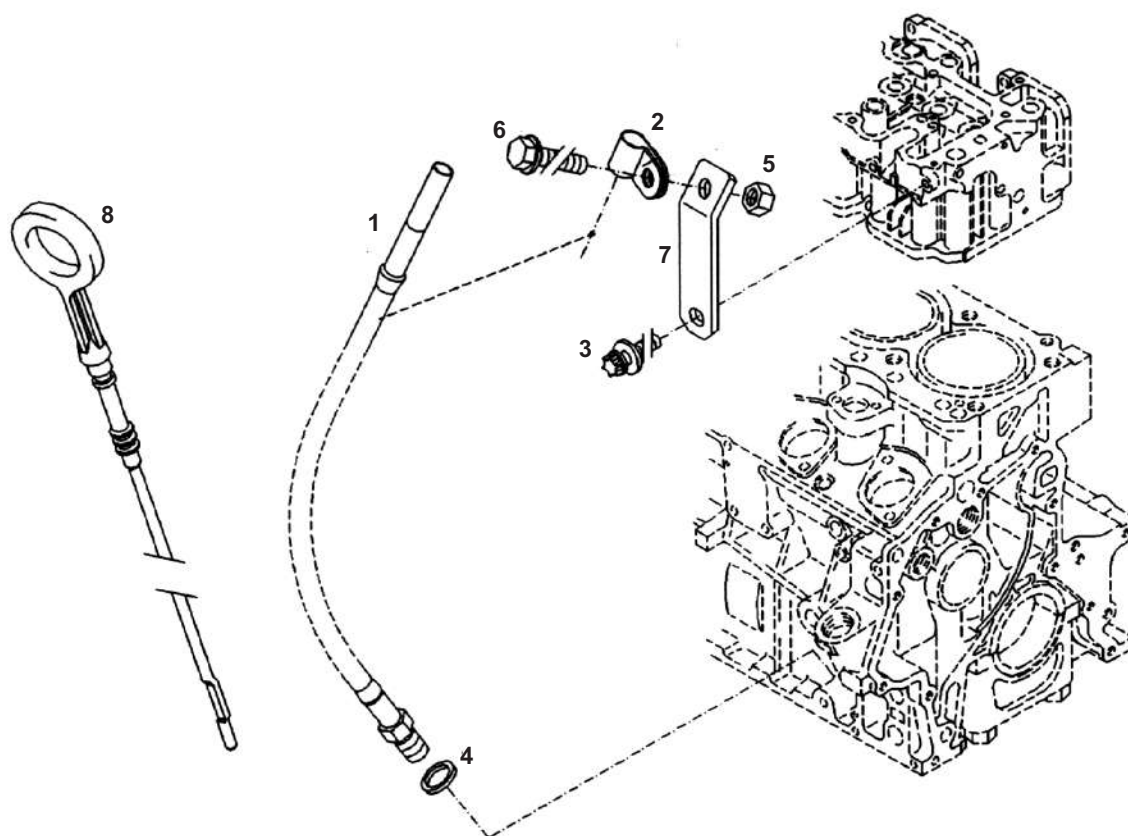
Gehl® Company reserves the right to make changes or improvements in the design or construction of any part of the unit without incurring the obligation to install such changes on any previously delivered units.

# Table of Contents

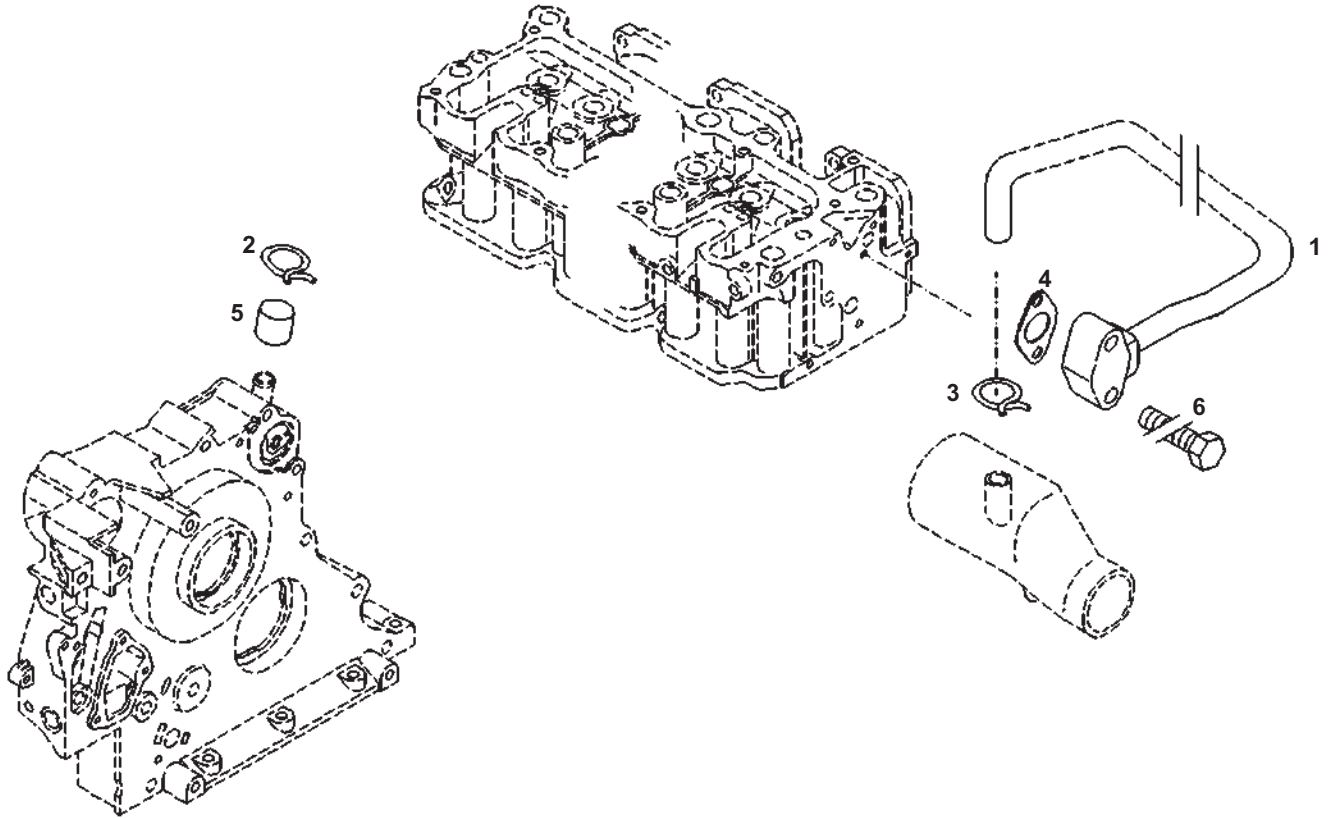
|  |    |                                   |    |
|--|----|-----------------------------------|----|
| Introduction . . . . .                 | i  | FUEL LINE . . . . .               | 36 |
| REAR END COVER . . . . .               | 1  | FUEL FILTER . . . . .             | 37 |
| DIPSTICK & DIPSTICK GUIDE . . . . .    | 2  | HIGH PRESSURE PIPE . . . . .      | 38 |
| CRANKCASE BREATHER . . . . .           | 3  | OVERFLOW LINE . . . . .           | 39 |
| CAP . . . . .                          | 4  | SUCTION PIPE FLANGE . . . . .     | 40 |
| ENGINE BLOCK . . . . .                 | 5  | SUCTION PIPE . . . . .            | 41 |
| OIL PAN . . . . .                      | 6  | INTAKE MANIFOLD . . . . .         | 42 |
| CRANKSHAFT ACCESSORIES . . . . .       | 7  | TURBOCHARGER . . . . .            | 43 |
| CRANKSHAFT . . . . .                   | 8  | CHARGE AIR PIPE . . . . .         | 44 |
| POWER TAKE-OFF . . . . .               | 9  | CHARGE AIR ELBOW . . . . .        | 45 |
| COVER PLATE . . . . .                  | 10 | TRANSFER PIPE . . . . .           | 46 |
| FLYWHEEL . . . . .                     | 11 | AIR FILTER FITMENT . . . . .      | 47 |
| CONNECTING ROD . . . . .               | 12 | GLOW PLUG . . . . .               | 48 |
| PISTON . . . . .                       | 13 | BUFFER SPRING . . . . .           | 49 |
| FILLER CAP . . . . .                   | 14 | TORQUE CAPSULE . . . . .          | 50 |
| CYLINDER HEAD FASTENINGS . . . . .     | 15 | FRONT COVER/GOVERNOR . . . . .    | 51 |
| CYLINDER HEAD . . . . .                | 16 | CONTROL ROD . . . . .             | 53 |
| VALVE MECHANICAL COVER . . . . .       | 17 | NARROW V-BELT . . . . .           | 54 |
| CAMSHAFT DRIVE . . . . .               | 18 | FAN SUPPORT . . . . .             | 55 |
| CAMSHAFT . . . . .                     | 19 | ADAPTER HOUSING . . . . .         | 56 |
| PROTECTION HOOD & FASTENINGS . . . . . | 20 | AIR COMPRESSOR . . . . .          | 57 |
| ROCKER ARM BRACKET . . . . .           | 21 | STARTER . . . . .                 | 58 |
| VALVE DRIVE . . . . .                  | 22 | ALTERNATOR . . . . .              | 59 |
| LUBRICATION OIL PUMP . . . . .         | 23 | ALTERNATOR BRACKET . . . . .      | 60 |
| OIL FILTER & FASTENINGS . . . . .      | 24 | ALTERNATOR FASTENINGS . . . . .   | 61 |
| LUBRICATION OIL LINE . . . . .         | 25 | COOLING AIR BAFFLE . . . . .      | 62 |
| OIL SUCTION LINE . . . . .             | 26 | OIL PRESSURE SWITCH . . . . .     | 63 |
| OIL RETURN LINE . . . . .              | 27 | TEMPERATURE TRANSMITTER . . . . . | 64 |
| HEATER CONNECTION . . . . .            | 28 | EXHAUST MANIFOLD . . . . .        | 65 |
| RADIATOR CONNECTION . . . . .          | 29 | CONNECTING PIPE . . . . .         | 67 |
| SCREW PLUG . . . . .                   | 30 | CONTROL UNIT . . . . .            | 68 |
| FUEL INJECTOR PUMP . . . . .           | 31 | SHUTDOWN DEVICE . . . . .         | 69 |
| FUEL INJECTOR . . . . .                | 32 | GASKET SET . . . . .              | 70 |
| FUEL SUPPLY PUMP . . . . .             | 35 | INDEX . . . . .                   | 71 |



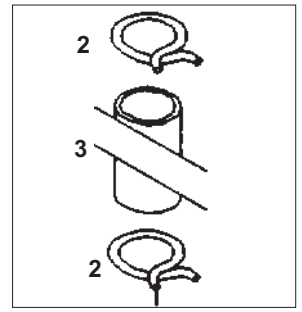
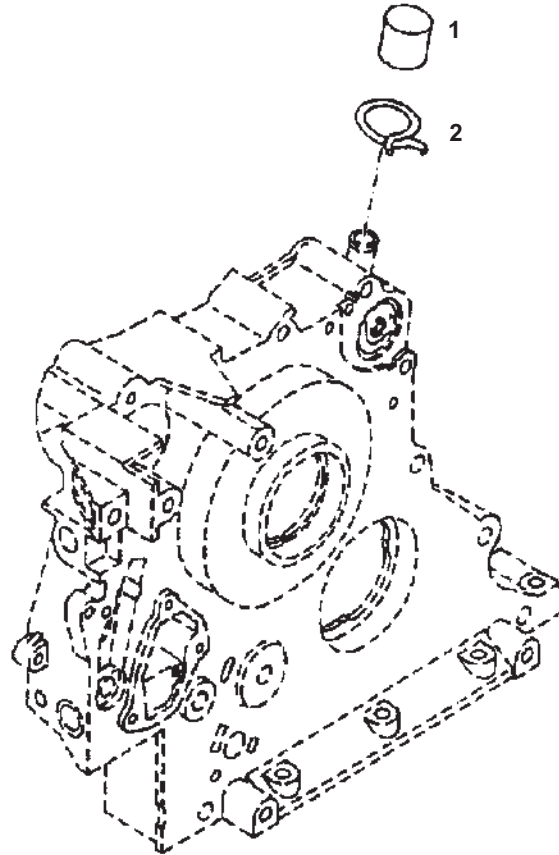
| Ref No. | Part No. | Description                | Quantity |
|---------|----------|----------------------------|----------|
| 1       | 133390   | COVER/REAR END             | 1        |
| 2       | 133204   | BOLT/HEX 8X 30MM CLASS 8.8 | 8        |
| 3       | 133387   | SEAL/ROTATION SHAFT LIP    | 1        |
| 4       | 133100   | COMPOUND/PACKING 250 ML    | 1        |



| Ref No. | Part No. | Description    | Quantity |          |
|---------|----------|----------------|----------|----------|
|         |          |                | F3M/BF3M | F4M/BF4M |
| 1       | 133555   | TUBE/GUIDE     | 1        | -        |
|         | 187192   | TUBE/GUIDE     | -        | 1        |
| 2       | 133556   | CLAMP/PIPE     | 1        | 1        |
| 3       | 187233   | BOLT/TORX HEAD | 1        | 1        |
| 4       | 133134   | RING/SEALING   | 1        | 1        |
| 5       | 187267   | NUT/HEX        | 1        | 1        |
| 6       | 187227   | BOLT/HEX       | 1        | 1        |
| 7       | 133561   | BRACKET        | 1        | 1        |
| 8       | 135503   | DIPSTICK       | 1        | -        |
|         | 133562   | DIPSTICK       | -        | 1        |

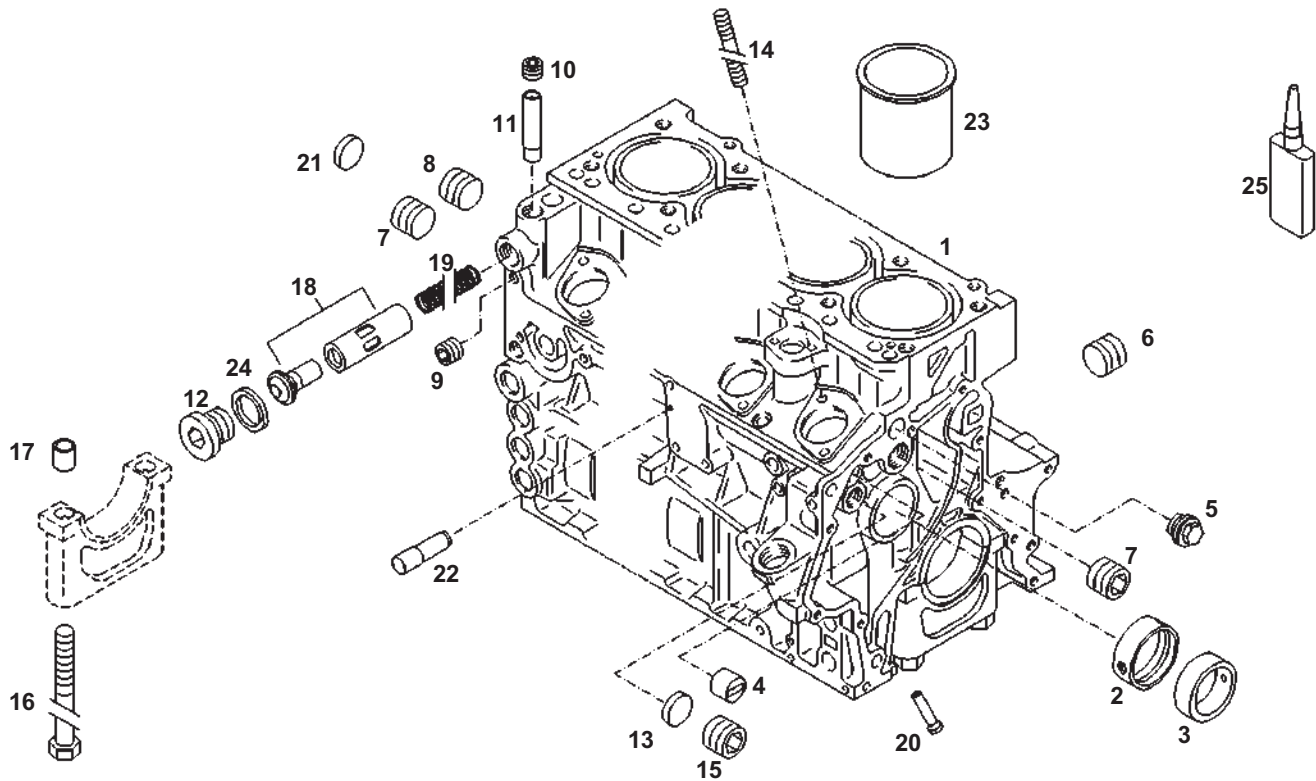


| Ref No. | Part No. | Description   | Quantity BF4M |
|---------|----------|---------------|---------------|
| 1       | 133552   | PIPE/BREATHER | 1             |
| 2       | 133202   | CLIP/HOSE     | 1             |
| 3       | 133212   | CLIP/HOSE     | 1             |
| 4       | 133553   | GASKET        | 1             |
| 5       | 133482   | CAP           | 1             |
| 6       | 187221   | BOLT/HEX      | 2             |



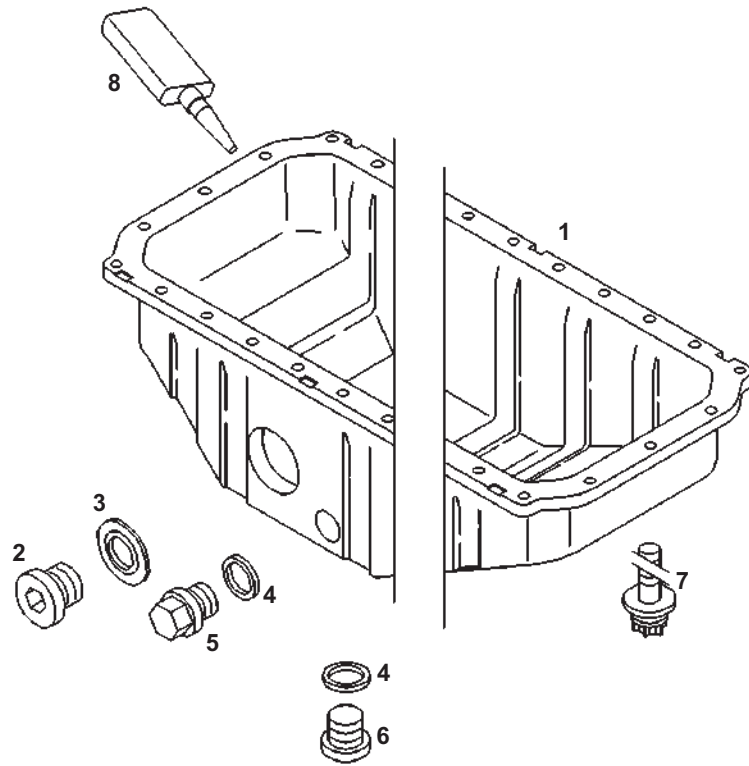
Turbo Engines Only

| Ref No. | Part No. | Description | Quantity |      |
|---------|----------|-------------|----------|------|
|         |          |             | F3M/F4M  | BF3M |
| 1       | 135520   | CAP         | 1        | -    |
|         | 133518   | PLUG        | -        | 1    |
| 2       | 133202   | CLIP/HOSE   | 1        | 2    |
| 3       | 133481   | HOSE 50MM   | -        | 1    |

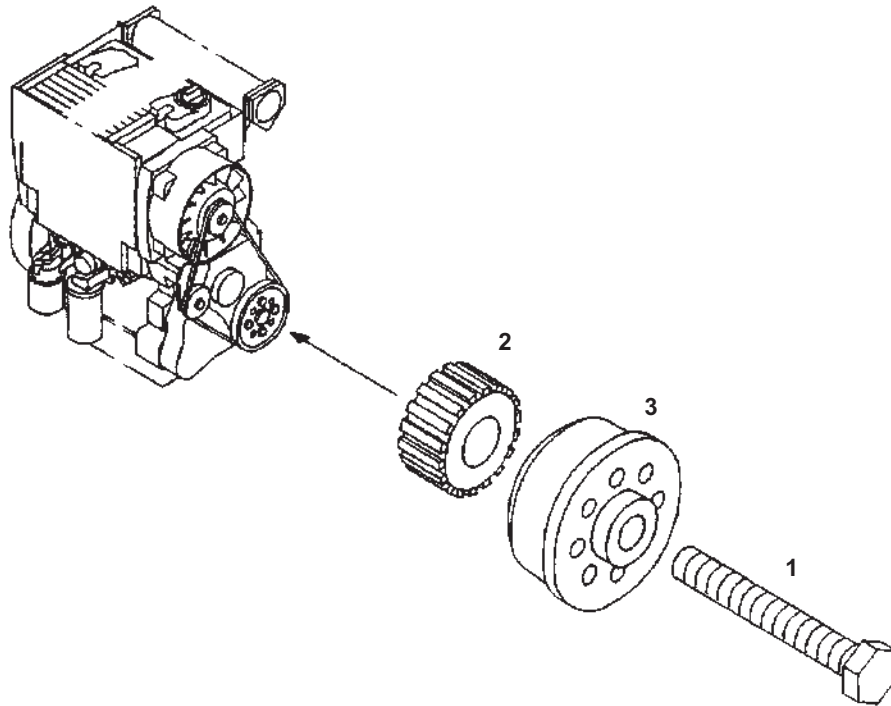


| Ref No. | Part No. | Description                        | Quantity |     |      |      |
|---------|----------|------------------------------------|----------|-----|------|------|
|         |          |                                    | F3M      | F4M | BF3M | BF4M |
| 1       | 135518   | BLOCK/ENGINE (INCLUDES ITEMS 2-18) | 1        | -   | -    | -    |
|         | 133436   | BLOCK/ENGINE (INCLUDES ITEMS 2-18) | -        | 1   | -    | -    |
|         | 133519   | BLOCK/ENGINE (INCLUDES ITEMS 2-18) | -        | -   | 1    | -    |
|         | 133437   | BLOCK/ENGINE (INCLUDES ITEMS 2-18) | -        | -   | -    | 1    |
| 2       | 133405   | BUSHING/WRAPPED BEARING            | 2        | 2   | 2    | 2    |
| 3       | 133404   | BUSHING/WRAPPED BEARING            | 2        | 3   | 2    | 3    |
| 4       | 133316   | SLEEVE/GUIDE                       | 2        | 2   | 2    | 2    |
| 5       | 133430   | PLUG/SCREW                         | 1        | 1   | 1    | 1    |
| 6       | 133536   | PLUG/SCREW 12 X 1.5MM              | 1        | 1   | -    | 1    |
|         | 133520   | PLUG/SCREW                         | -        | -   | 2    | -    |
| 7       | 133537   | PLUG/SCREW                         | 2        | 2   | -    | 2    |
| 8       | 133538   | PLUG/SCREW 14 X 1.5MM              | 1        | 1   | 1    | 1    |
| 9       | 133539   | PLUG/SCREW 10 X 1MM                | 1        | 1   | 1    | 1    |
| 10      | 133540   | PLUG/SCREW 20 X 1.5MM              | 1        | 1   | 1    | 1    |
| 11      | 133408   | TUBE                               | 1        | 1   | 1    | 1    |
| 12      | 133541   | PLUG/SCREW                         | 1        | 1   | 1    | 1    |
| 13      | 133166   | COVER                              | 1        | 1   | 1    | 1    |
| 14      | 133240   | STUD                               | 6        | 8   | 6    | 8    |
| 15      | 133542   | PLUG/SCREW 18 X 1.5MM              | 1        | 2   | 2    | 2    |
| 16      | 133323   | BOLT/HEX                           | 8        | 10  | 8    | 10   |
| 17      | 133350   | BUSHING                            | 8        | 10  | 8    | 10   |
| 18      | 133473   | THERMOSTAT (INCLUDES ITEM 19)      | 1        | 1   | 1    | 1    |
| 19      | 133411   | SPRING/COMPRESSION                 | 1        | 1   | 1    | 1    |
| 20      | 133417   | NOZZLE/PISTON COOLING              | 6        | 6   | 6    | 6    |
| 21      | 187508   | COVER                              | 1        | 1   | -    | 1    |
|         | 133249   | COVER                              | -        | -   | 1    | -    |
| 22      | 133476   | PIN                                | -        | 1   | -    | 1    |
| 23      | 133543   | LINER/CYLINDER                     | AR       | AR  | -    | AR   |
| 24      | 187243   | O-SEAL                             | 1        | 1   | 1    | 1    |
| 25      | 133107   | SAFETY/LOCK AGENT 50 ML            | AR       | AR  | AR   | AR   |

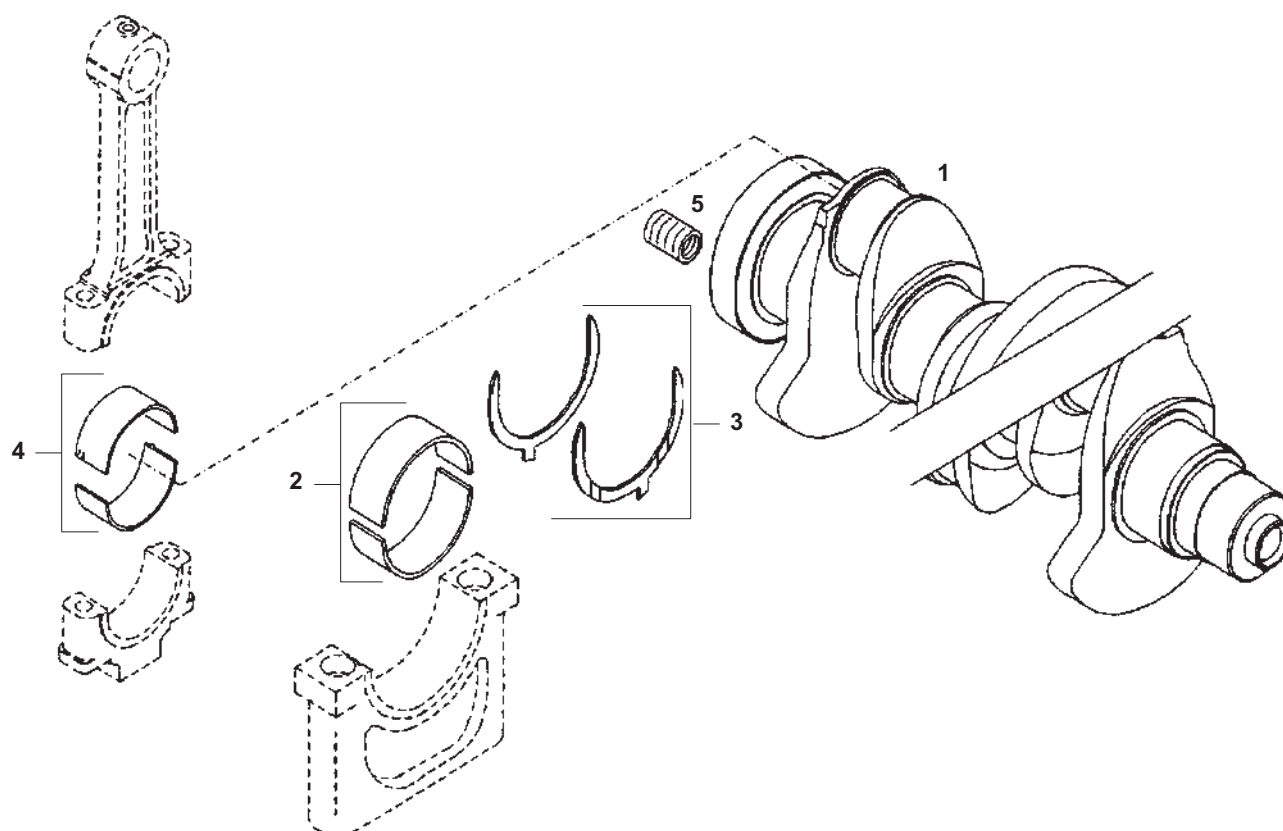




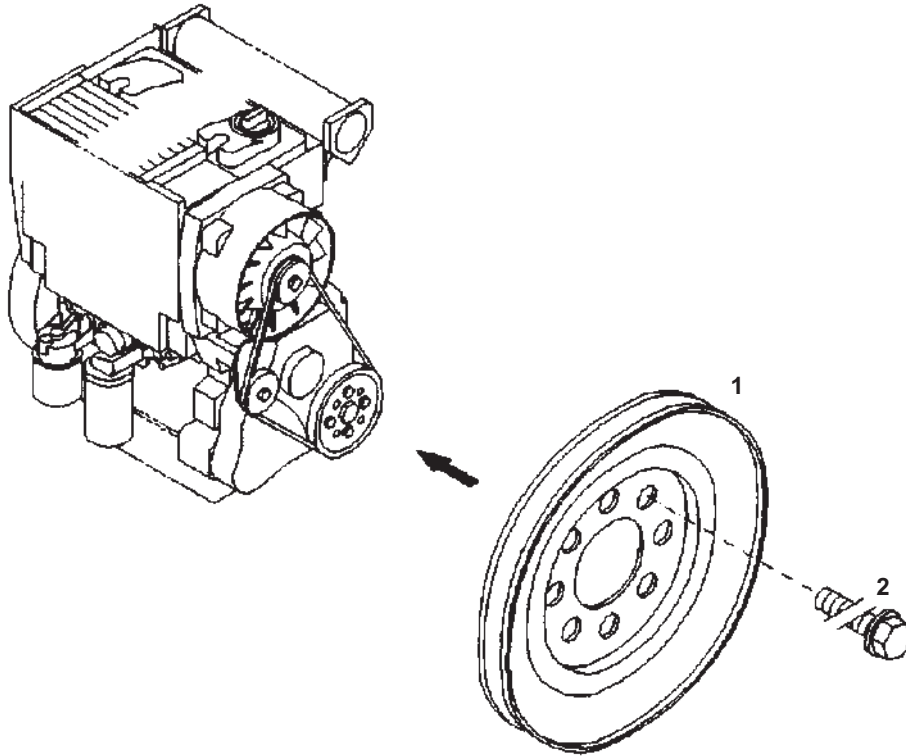
| Ref No. | Part No. | Description      | Quantity |          |
|---------|----------|------------------|----------|----------|
|         |          |                  | F3M/BF3M | F4M/BF4M |
| 1       | 187145   | PAN/OIL          | 1        | -        |
|         | 187100   | PAN/OIL          | -        | 1        |
| 2       | 187276   | PLUG/SCREW       | 1        | 1        |
| 3       | 133138   | RING/SEALING     | 1        | 1        |
| 4       | 133137   | RING/SEALING     | 3        | 2        |
| 5       | 133149   | PLUG/SCREW       | 2        | 1        |
| 6       | 187271   | PLUG/SCREW       | 1        | 1        |
| 7       | 187234   | BOLT/TORX HEAD   | 22       | 26       |
| 8       | 133104   | COMPOUND/PACKING | AR       | AR       |



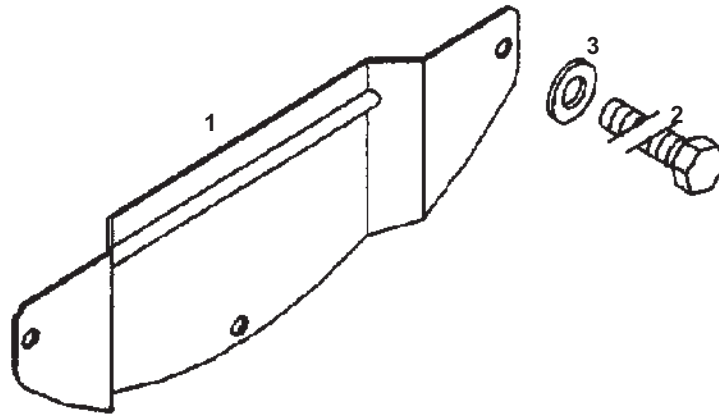
| <b>Ref No.</b> | <b>Part No.</b> | <b>Description</b>      | <b>Quantity</b> |
|----------------|-----------------|-------------------------|-----------------|
| 1              | 133325          | BOLT/HEX                | 1               |
| 2              | 133370          | PULLEY/SYNCHRONOUS BELT | 1               |
| 3              | 133381          | FLANGE/OUTPUT           | 1               |



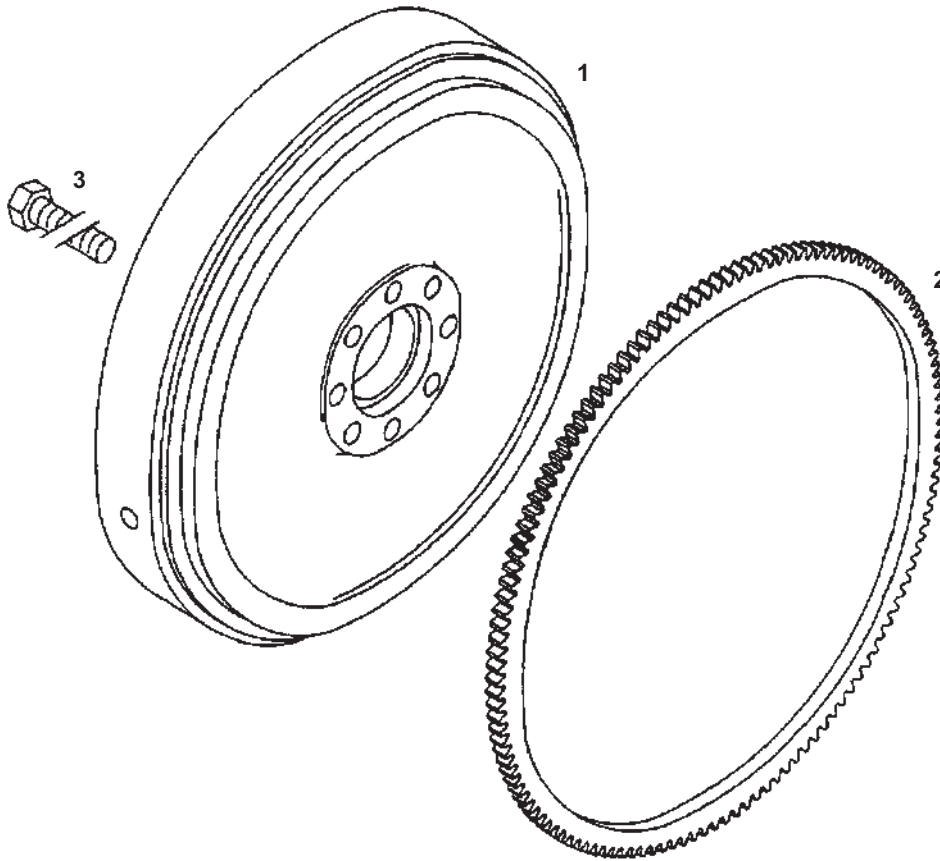
| Ref No. | Part No. | Description                           | Quantity |          |
|---------|----------|---------------------------------------|----------|----------|
|         |          |                                       | F3M/BF3M | F4M/BF4M |
| 1       | 133522   | CRANKSHAFT (INCLUDES ITEMS 2-4)       | 1        | -        |
|         | 133486   | CRANKSHAFT (INCLUDES ITEMS 2-4)       | -        | 1        |
| 2       | 133487   | BEARING/MAIN STANDARD 70MM            | 4        | 4        |
| 2A      | 133488   | BEARING/MAIN 1ST UNDERSIZE 69.75MM    | 4        | 4        |
| 2B      | 133489   | BEARING/MAIN 2ND UNDERSIZE 69.50MM    | 4        | 4        |
| 3       | 133338   | WASHER/THRUST STANDARD 2.4MM          | 1        | 1        |
| 3A      | 133339   | WASHER/THRUST 1ST OVERSIZE 2.6MM      | 1        | 1        |
| 4       | 135531   | BEARING/BIG END STANDARD 55MM         | 3        | -        |
|         | 133490   | BEARING/BIG END STANDARD 55MM         | -        | 4        |
| 4A      | 135532   | BEARING/BIG END 1ST UNDERSIZE 54.75MM | 3        | -        |
|         | 187520   | BEARING/BIG END 1ST UNDERSIZE 54.75MM | -        | 3        |
| 4B      | 135533   | BEARING/BIG END 2ND UNDERSIZE 54.50MM | 3        | -        |
|         | 187521   | BEARING/BIG END 2ND UNDERSIZE 54.50MM | -        | 3        |
| 5       | 133515   | INSERT/THREADED 10 X 1 X 15MM         | 1        | 1        |



| Ref No. | Part No. | Description      | Quantity |     |      |      |
|---------|----------|------------------|----------|-----|------|------|
|         |          |                  | F3M      | F4M | BF3M | BF4M |
| 1       | 133508   | PULLEY/V-GROOVED | 1        | -   | -    | -    |
|         | 133521   | PULLEY/V-GROOVED | -        | 1   | 1    | 1    |
| 2       | 187240   | BOLT/HEX         | 4        | 4   | 4    | 4    |

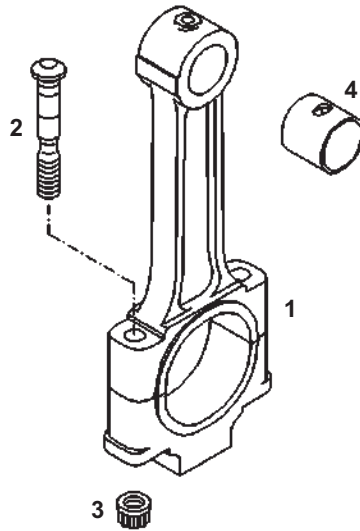


| Ref No. | Part No. | Description                 | Quantity |
|---------|----------|-----------------------------|----------|
| 1       | 187126   | PLATE/COVER                 | 1        |
| 2       | 187127   | BOLT/HEX 6 X 10MM CLASS 8.8 | 3        |
| 3       | 187128   | WASHER/PLAIN                | 3        |

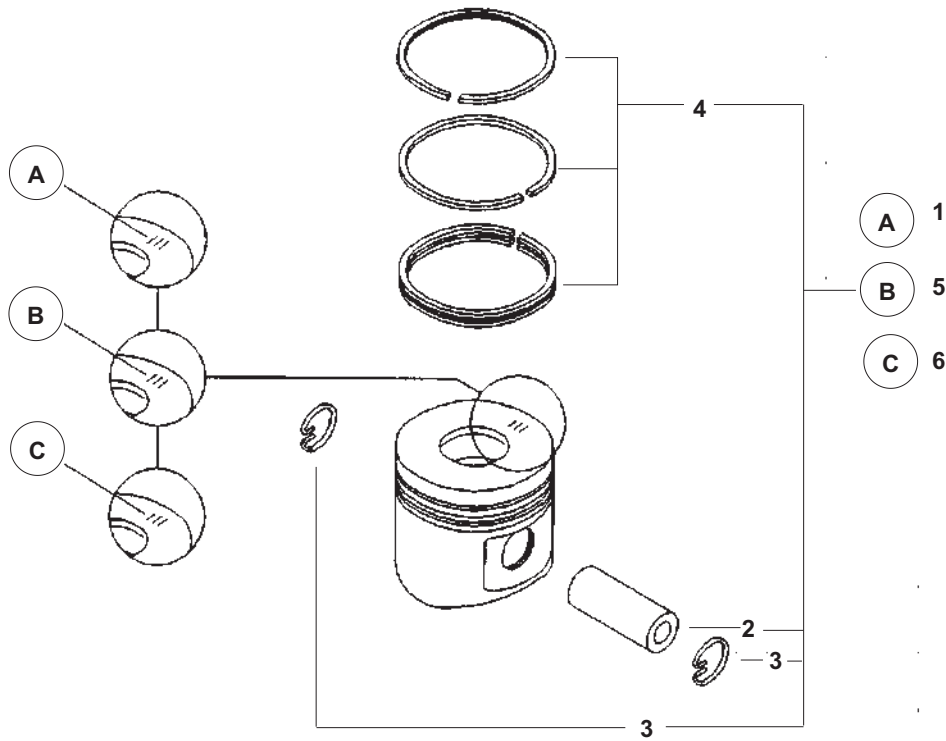


| Ref No. | Part No. | Description                | Quantity |
|---------|----------|----------------------------|----------|
| 1       | 138861a  | FLYWHEEL (INCLUDES ITEM 2) | 1        |
|         | 133446b  | FLYWHEEL (INCLUDES ITEM 2) | 1        |
| 2       | 138860a  | RIM/GEAR                   | 1        |
|         | 133445b  | RIM/GEAR                   | 1        |
| 3       | 133335   | BOLT/SCREW                 | 8        |

a) Used in engines with serial number 618098 and later.  
 b) Used in engines with serial number 618097 and earlier.

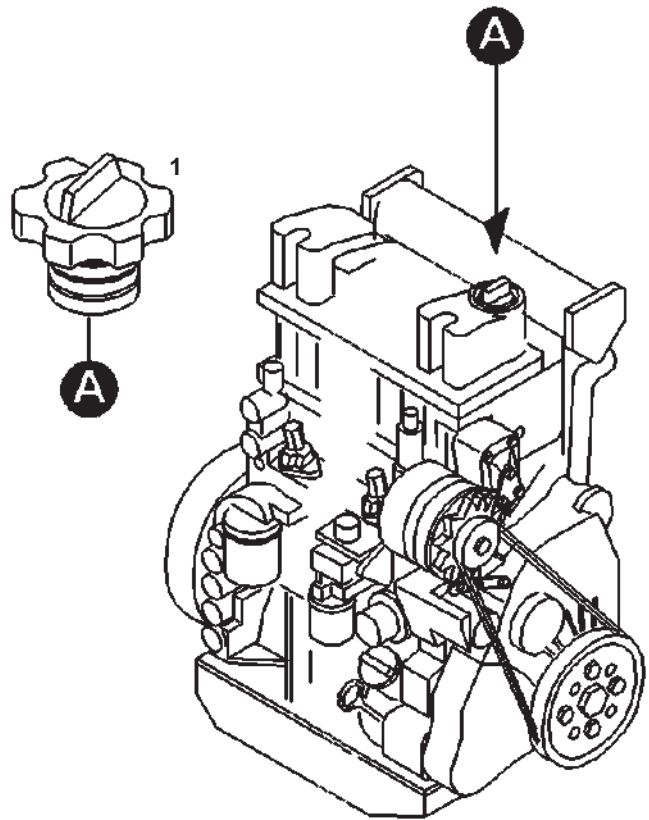
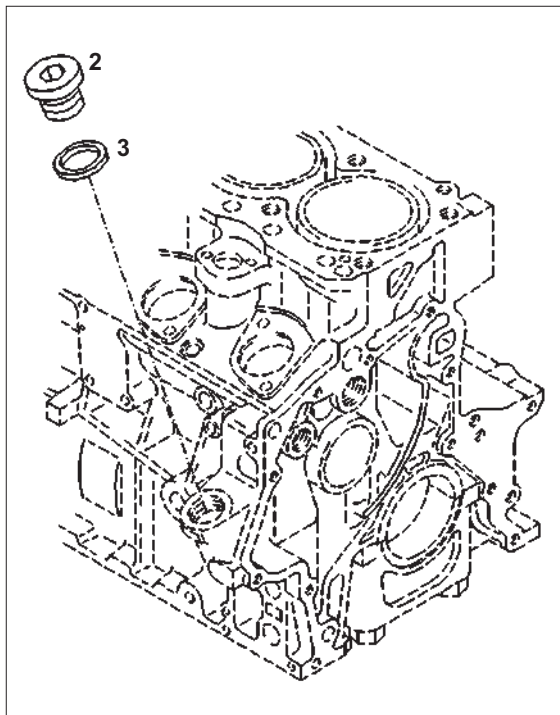


| Ref No. | Part No. | Description                            | Quantity |           |
|---------|----------|--|----------|-----------|
|         |          |  | F3M/F4M  | BF3M/BF4M |
| 1       | 133442   | ROD/CONNECTING (INCLUDES ITEMS 2-4)    | 1        | -         |
|         | 133586   | ROD/CONNECTING (INCLUDES ITEMS 2-4)    | -        | 1         |
| 2       | 133441   | BOLT/BIG END                           | 2        | 2         |
| 3       | 133318   | NUT                                    | 2        | 2         |
| 4       | 133319   | BUSHING/BIG END 29.06-29.10MM          | 1        | -         |
|         | 133357   | BUSHING/BIG END 33.07-33.11MM          | -        | 1         |
| 4A      | 133320   | BUSHING/BIG END OVERSIZE 29.31-29.35MM | 1        | -         |
|         | 133358   | BUSHING/BIG END OVERSIZE 33.32-33.36MM | -        | 1         |

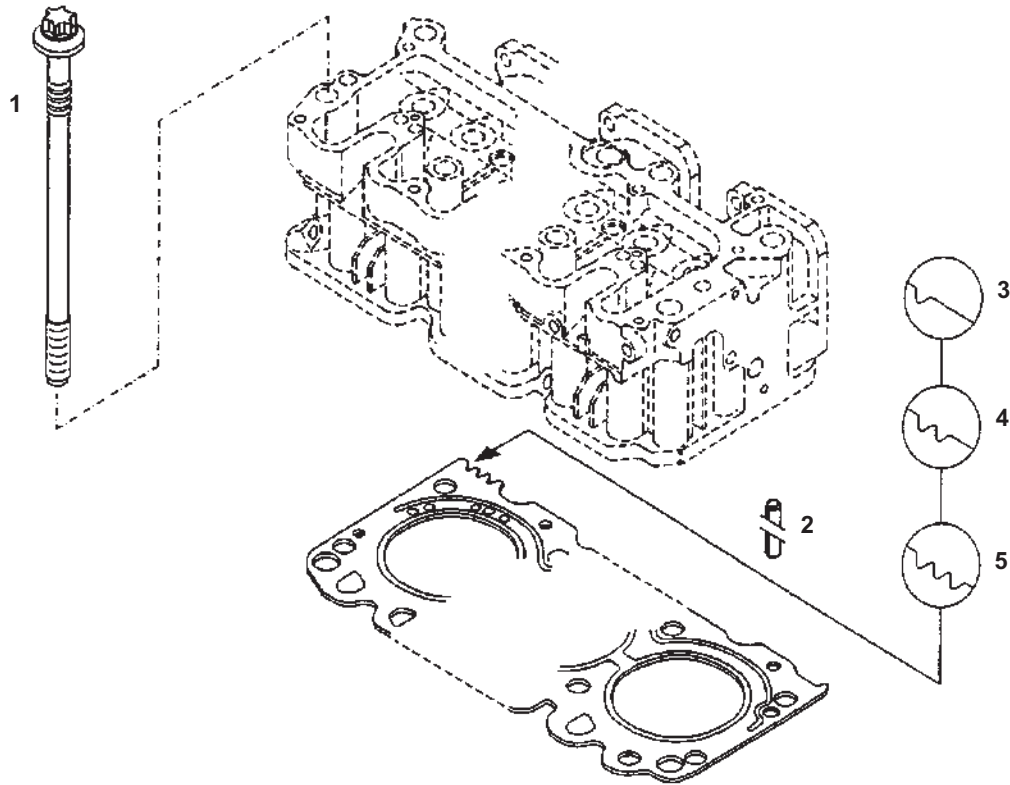


| Ref No. | Part No. | Description         | Quantity |           |
|---------|----------|---------------------|----------|-----------|
|         |          |                     | F3M/F4M  | BF3M/BF4M |
| 1       | 135539   | PISTON "A"          | 1        | -         |
|         | 187525   | PISTON "A"          | -        | 1         |
| 2       | 133317   | PIN/PISTON          | 1        | -         |
|         | 133369   | PIN/PISTON          | -        | 1         |
| 3       | 133157   | RING/SNAP           | 2        | -         |
|         | 133159   | RING/SNAP           | -        | 2         |
| 4       | 133455   | RINGS/SET OF PISTON | 1        | -         |
|         | 133503   | RINGS/SET OF PISTON | -        | 1         |
| 5       | 135540   | PISTON "B"          | 1        | -         |
| 6       | 135541   | PISTON "C"          | 1        | -         |

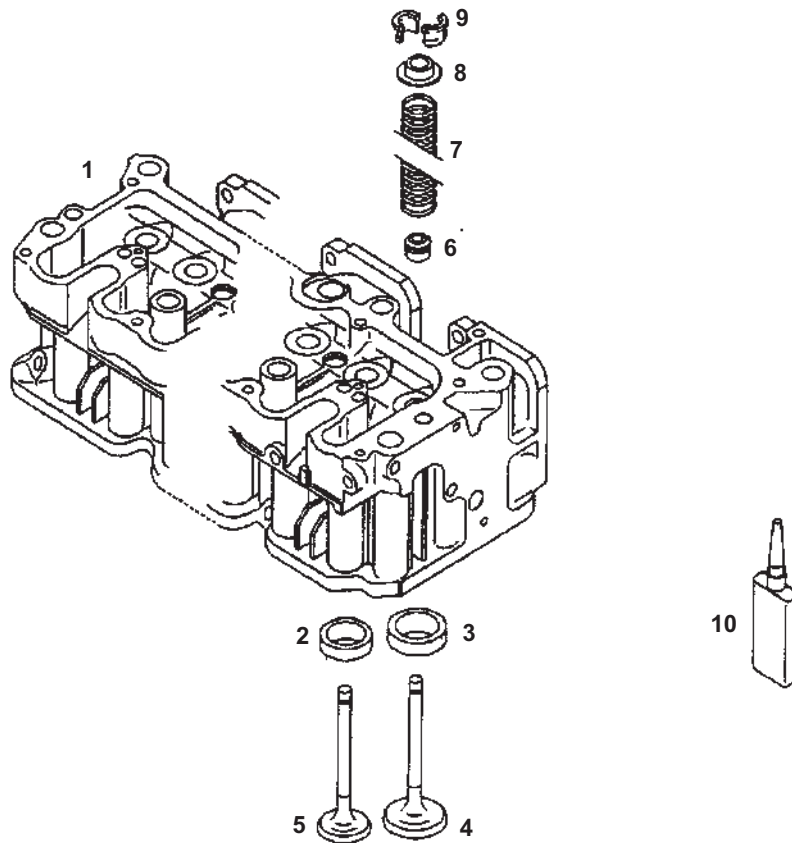




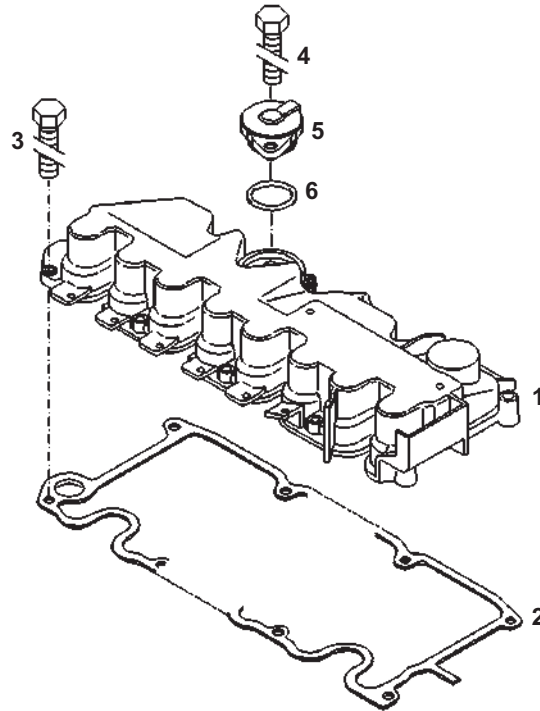
| Ref No. | Part No. | Description  | Quantity |
|---------|----------|--------------|----------|
| 1       | 133444   | CAP/FILLER   | 1        |
| 2       | 187132   | PLUG/SCREW   | 1        |
| 3       | 187133   | RING/SEALING | 1        |



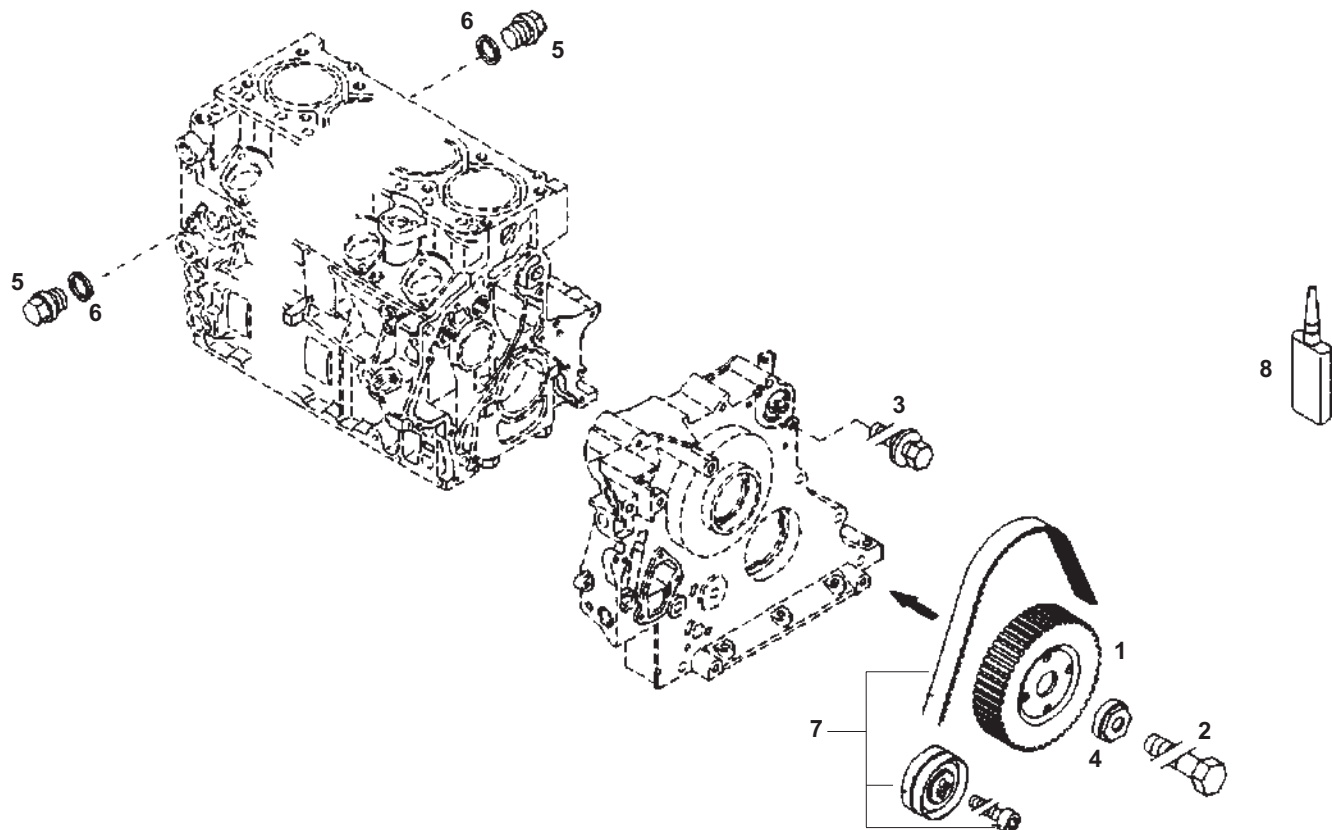
| Ref No. | Part No. | Description                 | Quantity |     |      |      |
|---------|----------|-----------------------------|----------|-----|------|------|
|         |          |                             | F3M      | F4M | BF3M | BF4M |
| 1       | 135535   | BOLT/CYLINDER HEAD          | 8        | 10  | 8    | 10   |
| 2       | 133427   | PIN/SPIRAL                  | 2        | 2   | 2    | 2    |
| 3       | 135544   | GASKET/CYLINDER HEAD 1.48MM | 1        | -   | 1    | -    |
|         | 133574   | GASKET/CYLINDER HEAD 1.48MM | -        | 1   | -    | 1    |
| 4       | 135543   | GASKET/CYLINDER HEAD 1.55MM | 1        | -   | 1    | -    |
|         | 133575   | GASKET/CYLINDER HEAD 1.55MM | -        | 1   | -    | 1    |
| 5       | 135542   | GASKET/CYLINDER HEAD 1.60MM | 1        | -   | 1    | -    |
|         | 133576   | GASKET/CYLINDER HEAD 1.60MM | -        | 1   | -    | 1    |



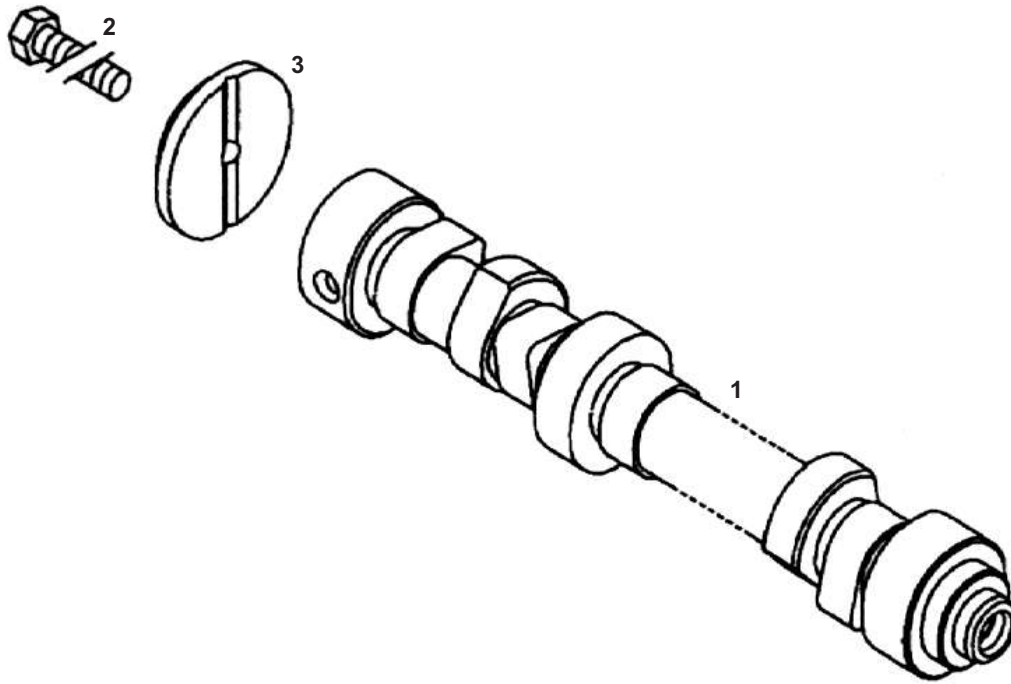
| Ref No. | Part No. | Description                                    | Quantity |     |      |      |
|---------|----------|--|----------|-----|------|------|
|         |          |  | F3M      | F4M | BF3M | BF4M |
| 1       | 187529   | HEAD/CYLINDER (INCLUDES ITEMS 2, 3, 4-9)       | 1        | -   | -    | -    |
|         | 187530   | HEAD/CYLINDER (INCLUDES ITEMS 2, 3, 4-9)       | -        | 1   | -    | -    |
|         | 187531   | HEAD/CYLINDER (INCLUDES ITEMS 2, 3, 4-9)       | -        | -   | 1    | -    |
|         | 187547   | HEAD/CYLINDER (INCLUDES ITEMS 2, 3, 4-9)       | -        | -   | -    | 1    |
| 2       | 133403   | INSERT/VALVE SEAT EXHAUST                      | 3        | 4   | 3    | -    |
|         | 187147   | INSERT/VALVE SEAT EXHAUST                      | -        | -   | -    | 4    |
| 2A      | 133327   | INSERT/VALVE SEAT EXHAUST 1ST OVERSIZE 37.27MM | 3        | 4   | 3    | 4    |
| 3       | 187528   | INSERT/VALVE SEAT INTAKE                       | 3        | 4   | 3    | -    |
|         | 187149   | INSERT/VALVE SEAT INTAKE                       | -        | -   | -    | 4    |
| 3A      | 133356   | INSERT/VALVE SEAT INTAKE 1ST OVERSIZE 42.87MM  | 3        | 4   | -    | -    |
|         | 187169   | INSERT/VALVE SEAT INTAKE 1ST OVERSIZE 42.87MM  | -        | -   | 3    | 4    |
| 4       | 187130   | VALVE/INLET                                    | 3        | 4   | -    | -    |
|         | 187125   | VALVE/INLET                                    | -        | -   | 3    | 4    |
| 5       | 187146   | VALVE/EXHAUST                                  | 3        | 4   | 3    | 4    |
| 6       | 133352   | SEAL/VALVE STEM                                | 6        | 8   | 6    | 8    |
| 7       | 133456   | SPRING/COMPRESSION                             | 6        | 8   | 6    | 8    |
| 8       | 187148   | CAP/SPRING                                     | 6        | 8   | 6    | 8    |
| 9       | 133322   | COLLET/VALVE                                   | 12       | 16  | 12   | 16   |
| 10      | 133106   | SAFETY/LOCK AGENT 250ML                        | AR       | AR  | AR   | AR   |
| 11      | 187170   | GUIDE/VALVE (NOT SHOWN)                        | 6        | 8   | 6    | 8    |



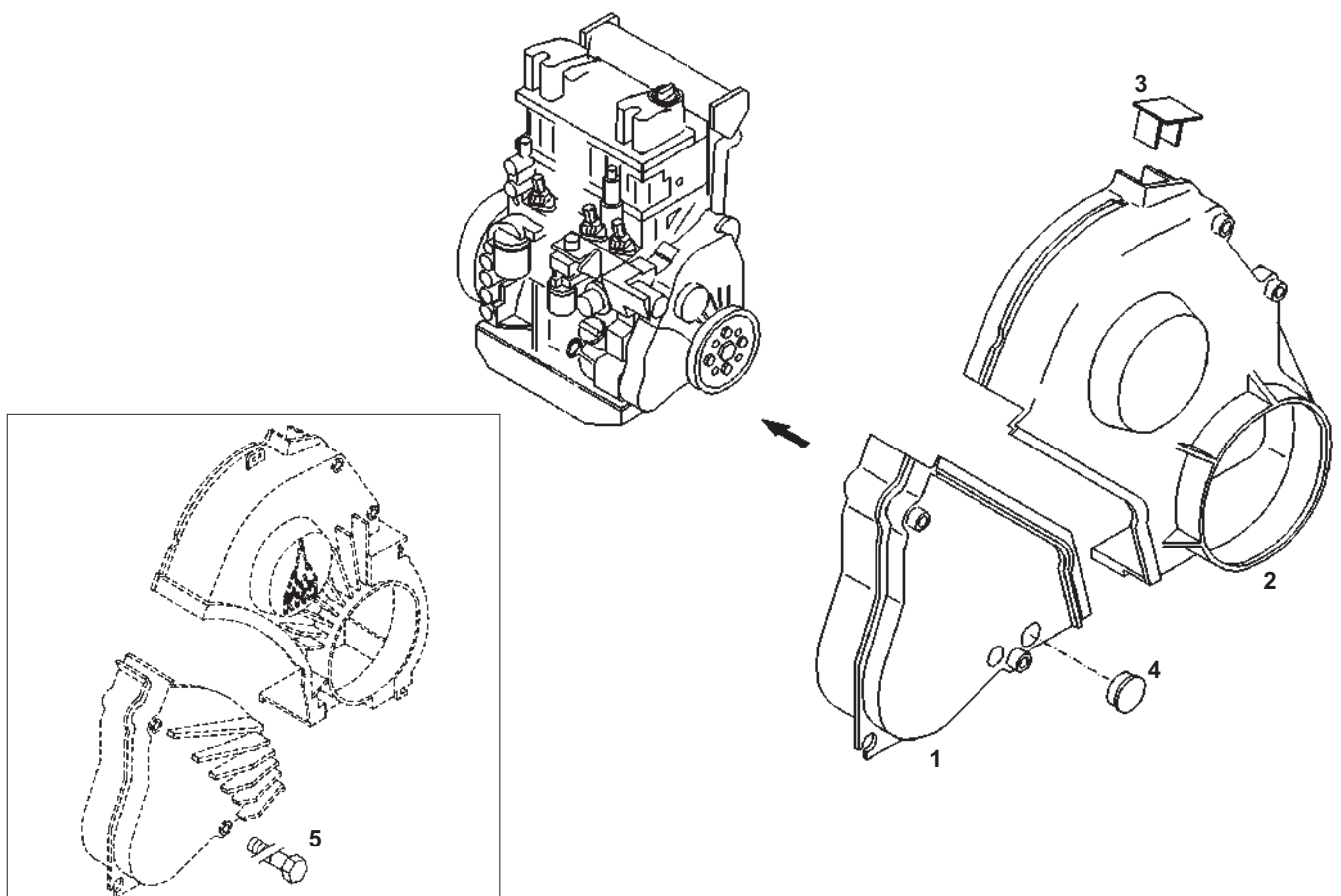
| Ref No. | Part No. | Description              | Quantity |          |
|---------|----------|--------------------------|----------|----------|
|         |          |                          | F3M/BF3M | F4M/BF4M |
| 1       | 135529   | COVER/CYLINDER HEAD HARD | 1        | -        |
|         | 133565   | COVER/CYLINDER HEAD HARD | -        | 1        |
| 2       | 135528   | GASKET                   | 1        | -        |
|         | 133566   | GASKET                   | -        | 1        |
| 3       | 187264   | BOLT/HEX                 | 8        | 10       |
| 4       | 133163   | BOLT/HEX                 | -        | 1        |
| 5       | 133426   | VALVE/BREATHER           | -        | 1        |
| 6       | 133250   | O-SEAL                   | -        | 1        |



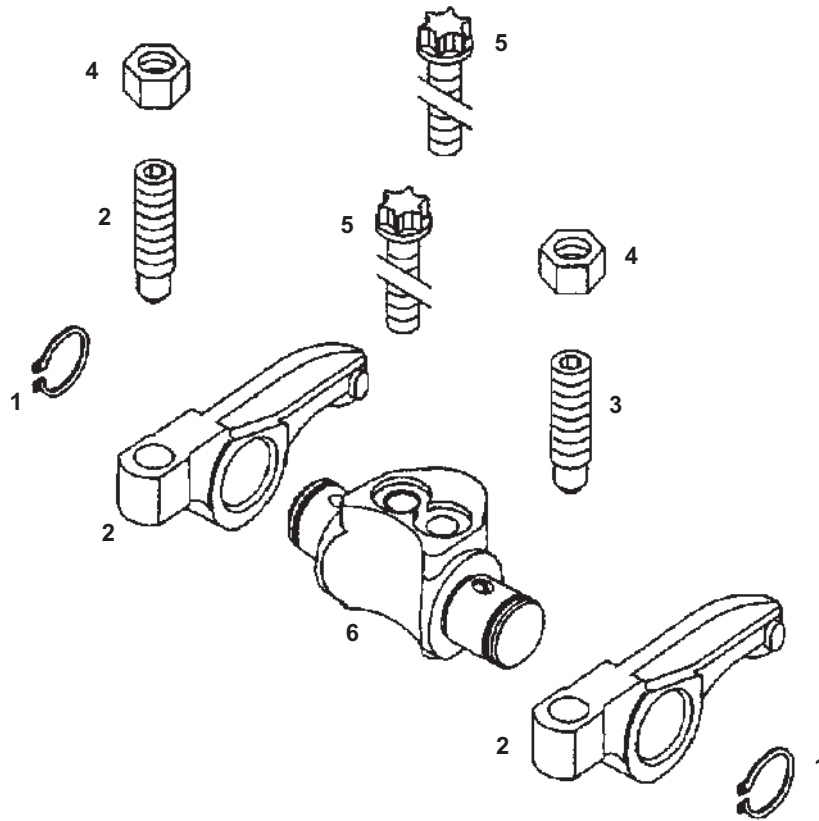
| Ref No. | Part No. | Description                          | Quantity |
|---------|----------|--------------------------------------|----------|
| 1       | 133378   | PULLEY/SYNCHRONOUS BELT              | 1        |
| 2       | 133242   | BOLT/HEX 14 X 1.5 X 110MM CLASS 12.9 | 1        |
| 3       | 187509   | BOLT/HEX                             | 11       |
| 4       | 133324   | WASHER/PLAIN                         | 1        |
| 5       | 133144   | PLUG/SCREW                           | 2        |
| 6       | 133132   | RING/SEALING                         | 2        |
| 7       | 135506   | KIT/REPAIR                           | 1        |
| 8       | 133103   | COMPOUND/PACKING                     | AR       |



| Ref No. | Part No. | Description   | Quantity |     |      |      |
|---------|----------|---------------|----------|-----|------|------|
|         |          |               | F3M      | F4M | BF3M | BF4M |
| 1       | 187523   | CAMSHAFT      | 1        | -   | -    | -    |
|         | 187548   | CAMSHAFT      | -        | 1   | -    | -    |
|         | 133526   | CAMSHAFT      | -        | -   | 1    | -    |
|         | 133568   | CAMSHAFT      | -        | -   | -    | 1    |
| 2       | 187209   | BOLT/HEX      | 1        | 1   | 1    | 1    |
| 3       | 133367   | WASHER/THRUST | 1        | 1   | 1    | 1    |



| Ref No. | Part No. | Description                       | Quantity |
|---------|----------|-----------------------------------|----------|
| 1       | 135545   | HOOD/PROTECTION (INCLUDES ITEM 4) | 1        |
| 2       | 133467   | HOOD/PROTECTION                   | 1        |
| 3       | 135534   | PLUG                              | 1        |
| 4       | 133216   | PLUG                              | 1        |
| 5       | 133145   | BOLT/HEX 6 X 70MM CLASS 8.8       | 4        |

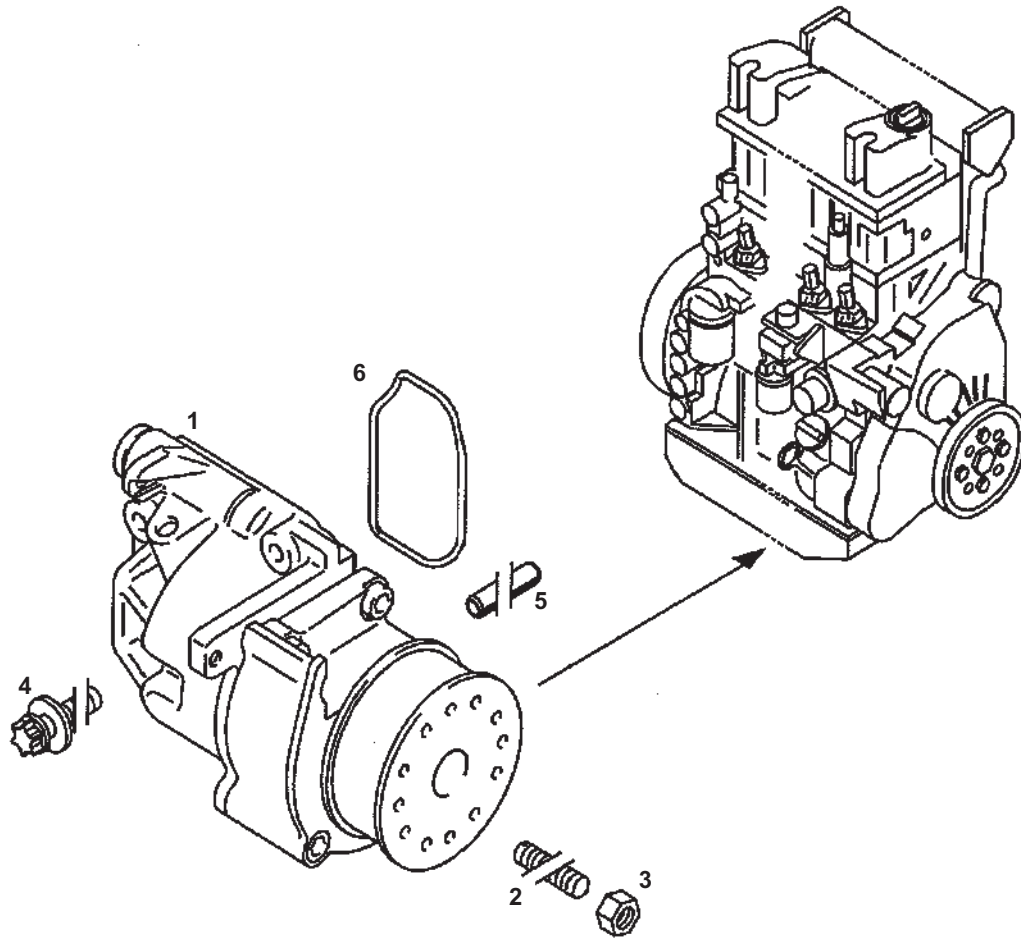


| Ref No. | Part No. | Description                             | Quantity |
|---------|----------|---|----------|
| 1       | 133113   | CIRCLIP                                 | 2        |
| 2       | 133332   | ARM/ROCKER                              | 2        |
| 3       | 133333   | SCREW/ADJUSTING                         | 2        |
| 4       | 133334   | NUT/HEX                                 | 2        |
| 5       | 187237   | BOLT/TORX HEAD                          | 2        |
| 6       | 133375   | BRACKET/ROCKER ARM (INCLUDES ITEMS 1-4) | 1        |

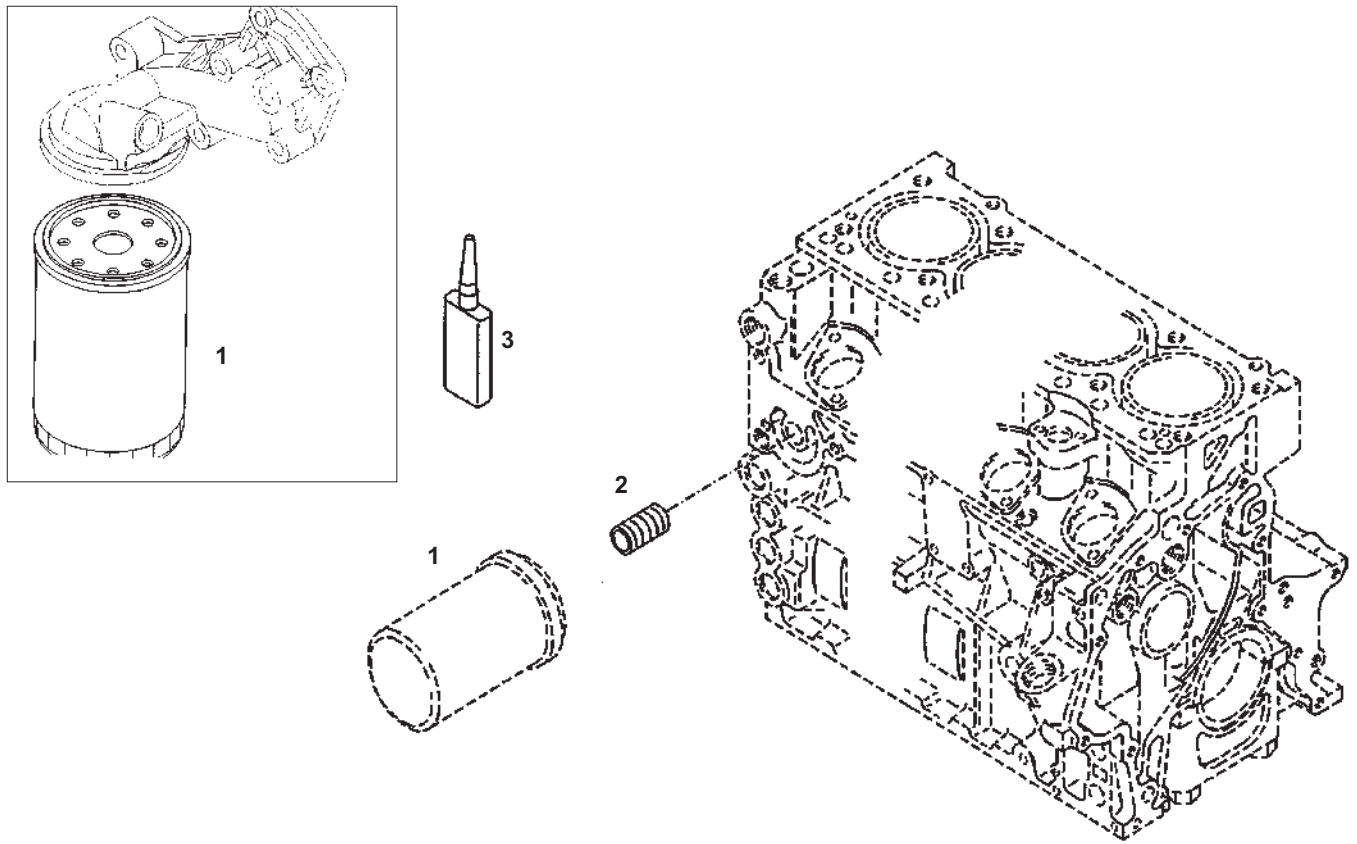




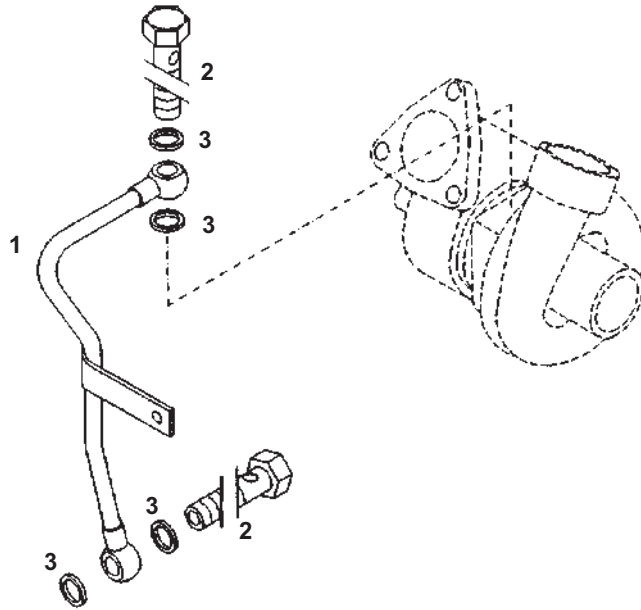
| Ref No. | Part No. | Description  | Quantity |
|---------|----------|--------------|----------|
| 1       | 133330   | ROD/PUSH     | 2        |
| 2       | 133402   | TAPPET/VALVE | 2        |



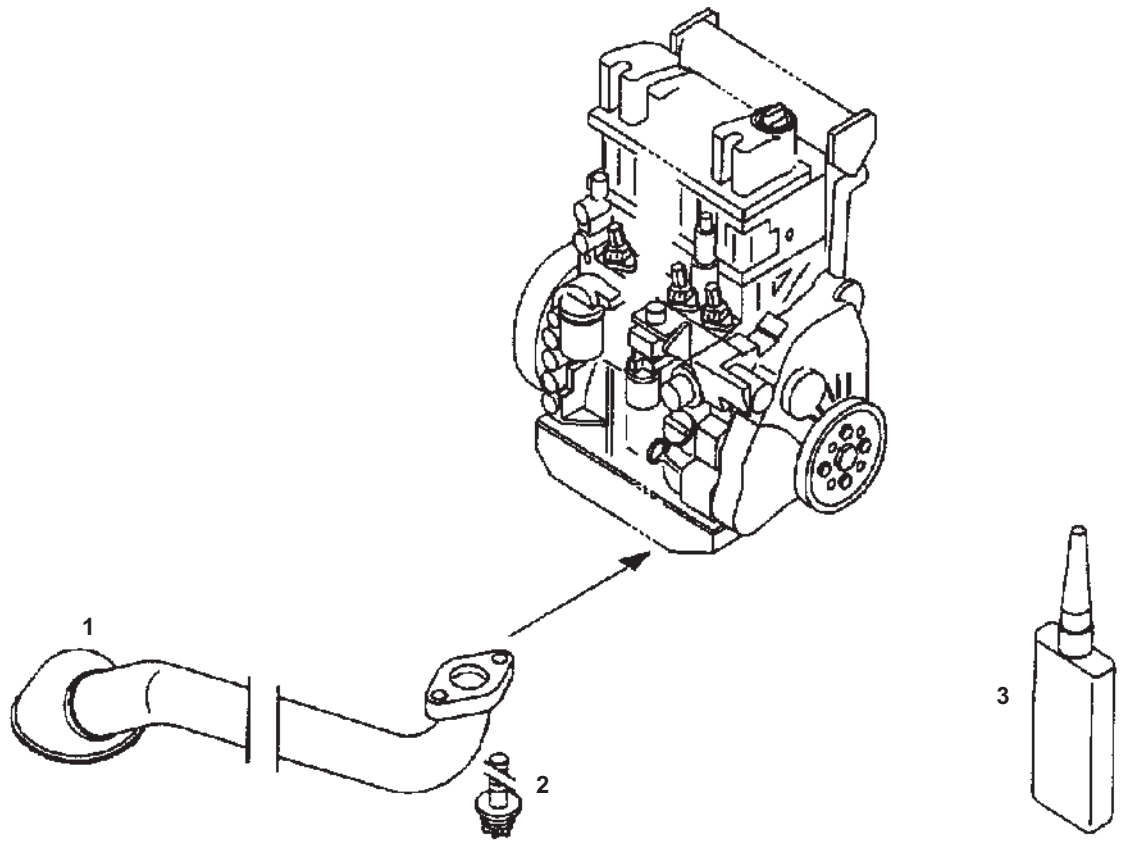
| Ref No. | Part No. | Description                               | Quantity |          |
|---------|----------|---|----------|----------|
|         |          |   | F3M/BF3M | F4M/BF4M |
| 1       | 135519   | PUMP/LUBRICATION OIL (INCLUDES ITEMS 2,3) | 1        | -        |
|         | 133439   | PUMP/LUBRICATION OIL (INCLUDES ITEMS 2,3) | -        | 1        |
| 2       | 187266   | SCREW/SET                                 | 1        | 1        |
| 3       | 187267   | NUT/HEX                                   | 1        | 1        |
| 4       | 187230   | BOLT/TORX                                 | 4        | 4        |
| 5       | 133428   | PIN/SPIRAL                                | 2        | 2        |
| 6       | 133440   | RING/SEALING                              | 1        | 1        |



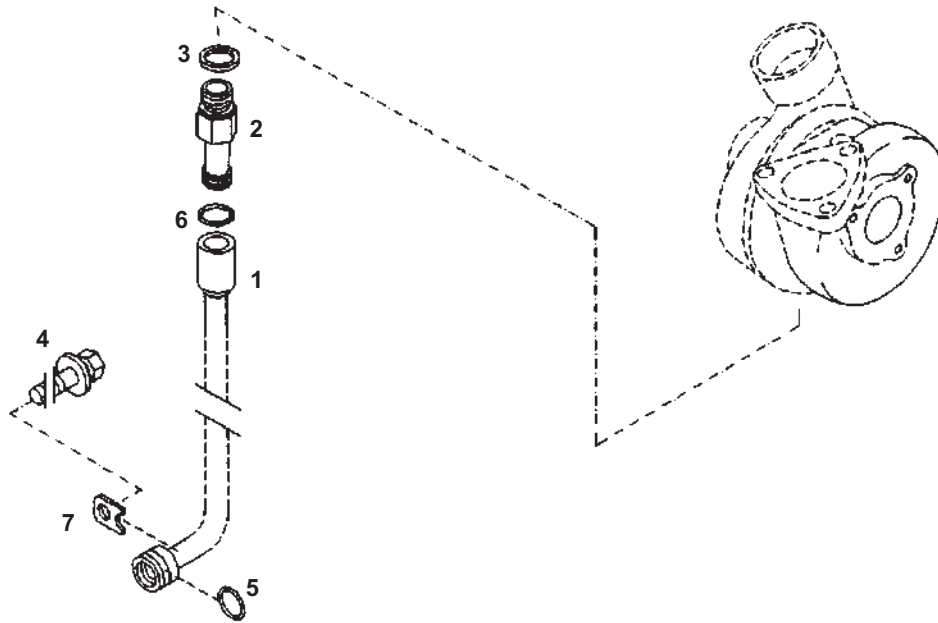
| Ref No. | Part No. | Description            | Quantity |
|---------|----------|------------------------|----------|
| 1       | 132023   | FILTER/SPIN-ON         | 1        |
| 2       | 133326   | BUSHING/SCREWED        | 1        |
| 3       | 133105   | SAFETY/LOCK AGENT 50ML | AR       |



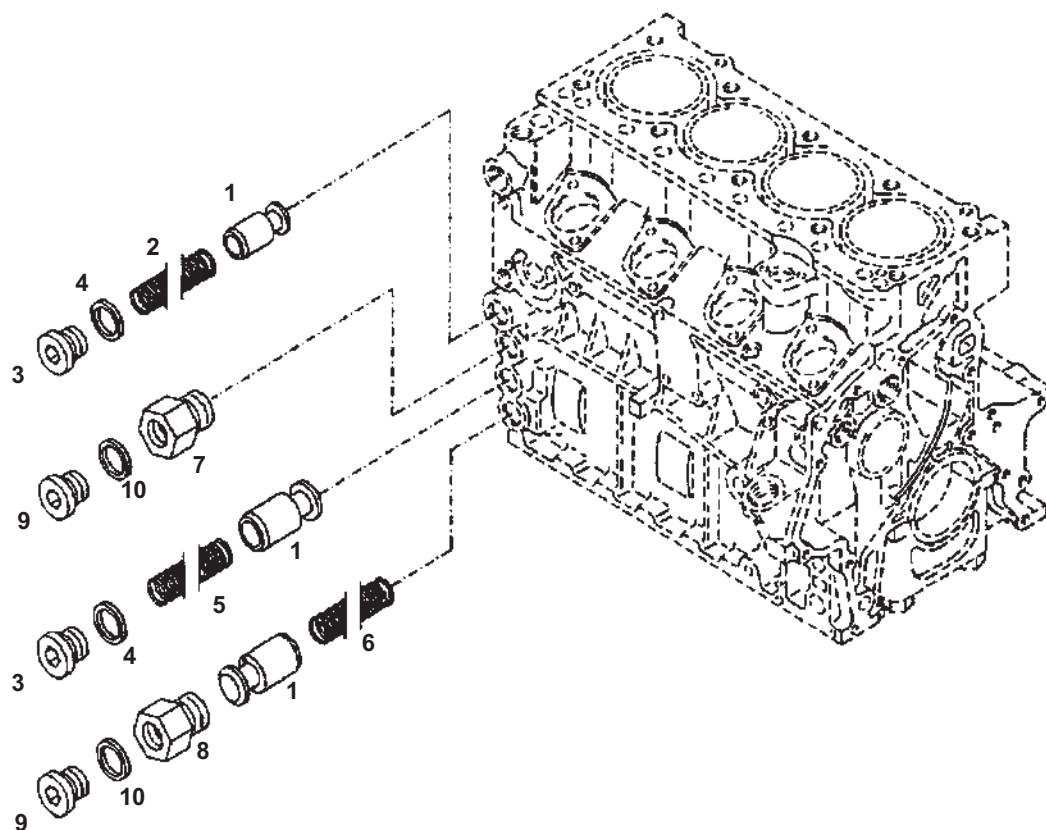
| Ref No. | Part No. | Description          | Quantity<br>BF3M/BF4M |
|---------|----------|----------------------|-----------------------|
| 1       | 133498   | LINE/LUBRICATION OIL | 1                     |
| 2       | 133141   | SCREW/HOLLOW         | 2                     |
| 3       | 133133   | RING/SEALING         | 4                     |



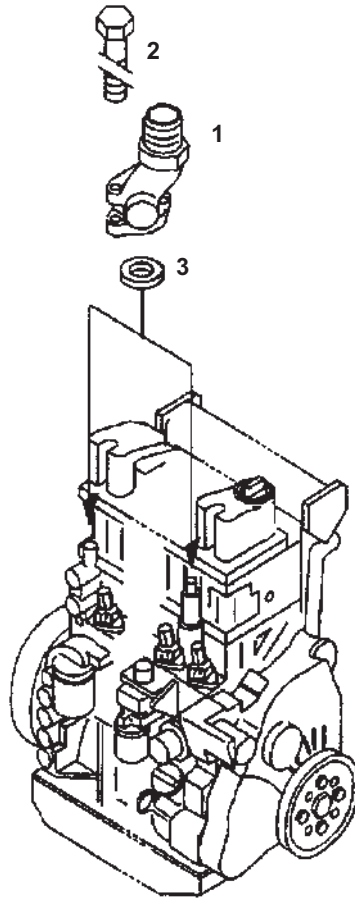
| Ref No. | Part No. | Description                       | Quantity |          |
|---------|----------|-----------------------------------|----------|----------|
|         |          |                                   | F3M/BF3M | F4M/BF4M |
| 1       | 135517   | PIPE/OIL SUCTION                  | 1        | -        |
|         | 187189   | PIPE/OIL SUCTION                  | -        | 1        |
| 2       | 187232   | BOLT/TORX HEAD 8 X 25MM CLASS 8.8 | 2        | 2        |
| 3       | 133103   | COMPOUND/PACKING                  | AR       | AR       |



| Ref No. | Part No. | Description     | Quantity |      |
|---------|----------|-----------------|----------|------|
|         |          |                 | BF3M     | BF4M |
| 1       | 133550   | LINE/OIL RETURN | 1        | -    |
|         | 133549   | LINE/OIL RETURN | -        | 1    |
| 2       | 133478   | NIPPLE/SCREW-IN | 1        | 1    |
| 3       | 133135   | RING/SEALING    | 1        | 1    |
| 4       | 187235   | BOLT/HEX        | 1        | 1    |
| 5       | 187222   | O-SEAL          | 1        | 1    |
| 6       | 133259   | O-SEAL          | 1        | 1    |
| 7       | 133551   | PLATE/RETAINING | 1        | 1    |

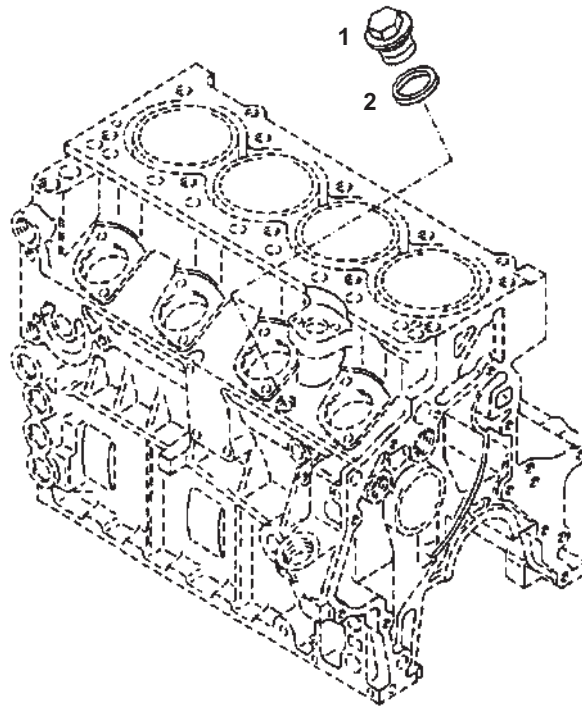


| Ref No. | Part No. | Description           | Quantity |
|---------|----------|-----------------------|----------|
| 1       | 133414   | VALVE                 | 3        |
| 2       | 133415   | SPRING/COMPRESSION    | 1        |
| 3       | 133109   | PLUG/SCREW 24 X 1.5MM | 2        |
| 4       | 133139   | RING/SEALING          | 2        |
| 5       | 133451   | SPRING/COMPRESSION    | 1        |
| 6       | 133416   | SPRING/COMPRESSION    | 1        |
| 7       | 133409   | NIPPLE/ADAPTER        | 1        |
| 8       | 133410   | NIPPLE/ADAPTER        | 1        |
| 9       | 133176   | PLUG/SCREW 18 X 1.5MM | 2        |
| 10      | 133136   | RING/SEALING          | 2        |

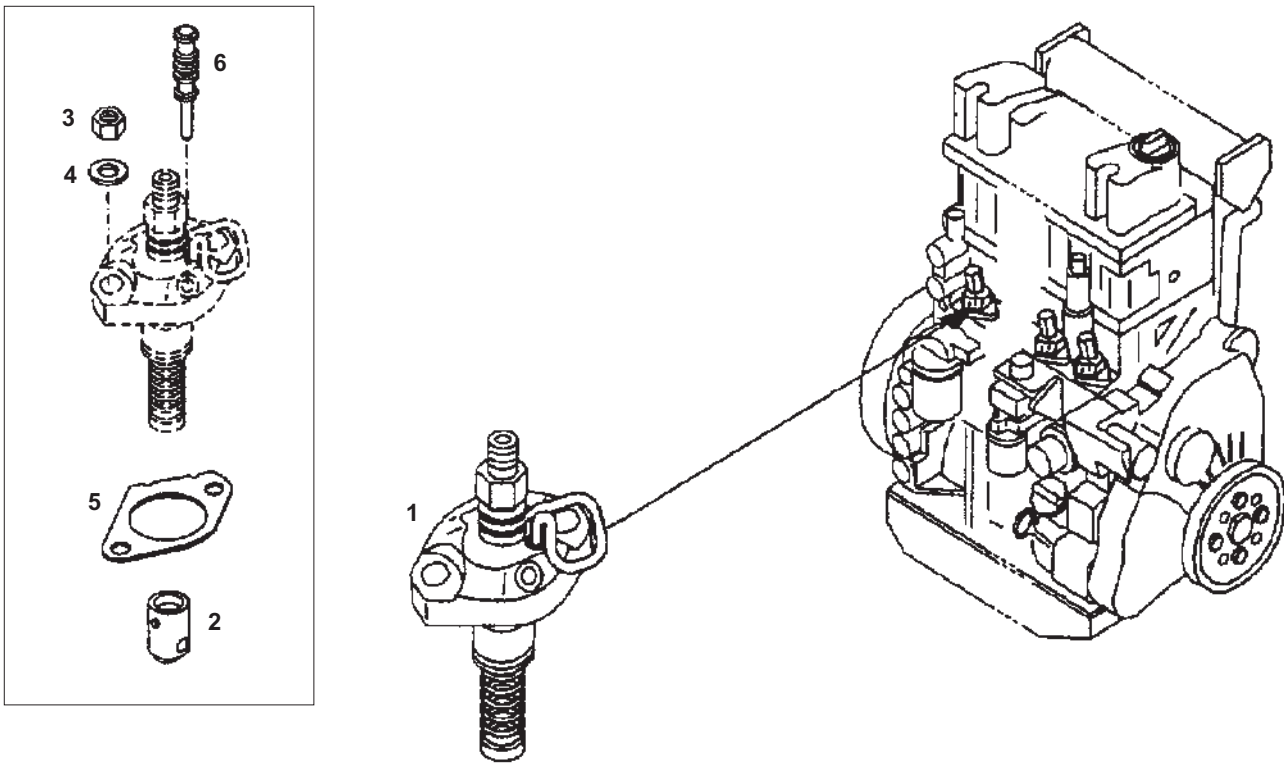


| <b>Ref No.</b> | <b>Part No.</b> | <b>Description</b>           | <b>Quantity</b> |
|----------------|-----------------|------------------------------|-----------------|
| 1              | 187181          | CONNECTION/RADIATOR          | 2               |
| 2              | 133165          | BOLT/HEX 6 X 60MM CLASS 10.9 | 4               |
| 3              | 133245          | RING/SEALING                 | 2               |

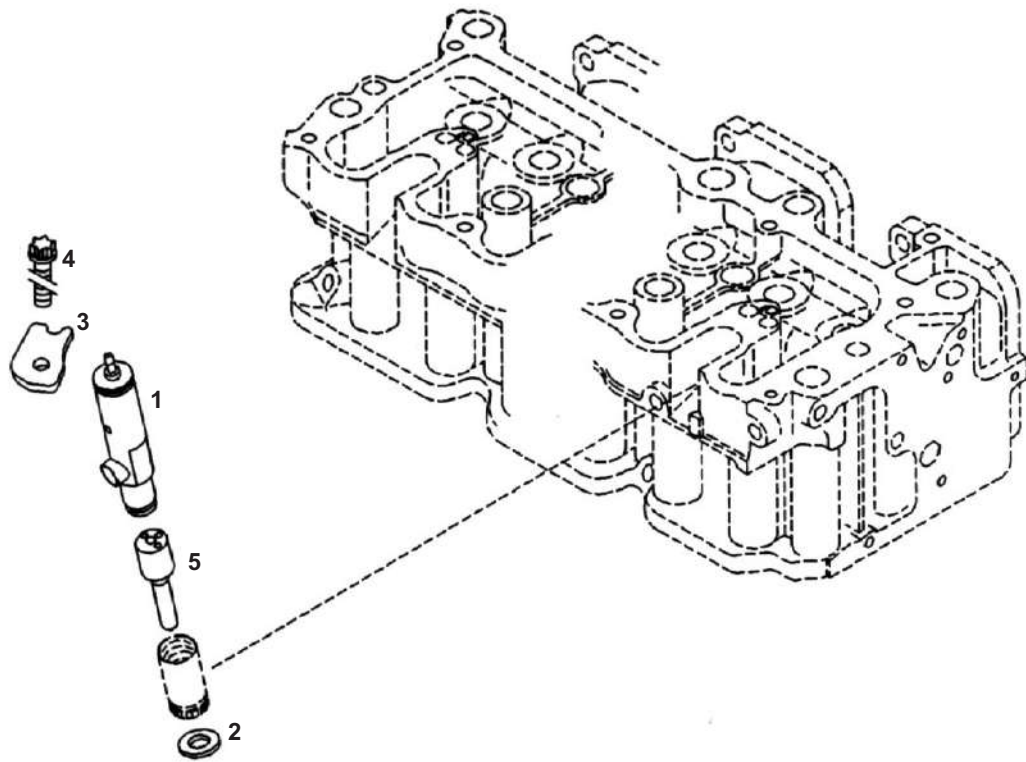




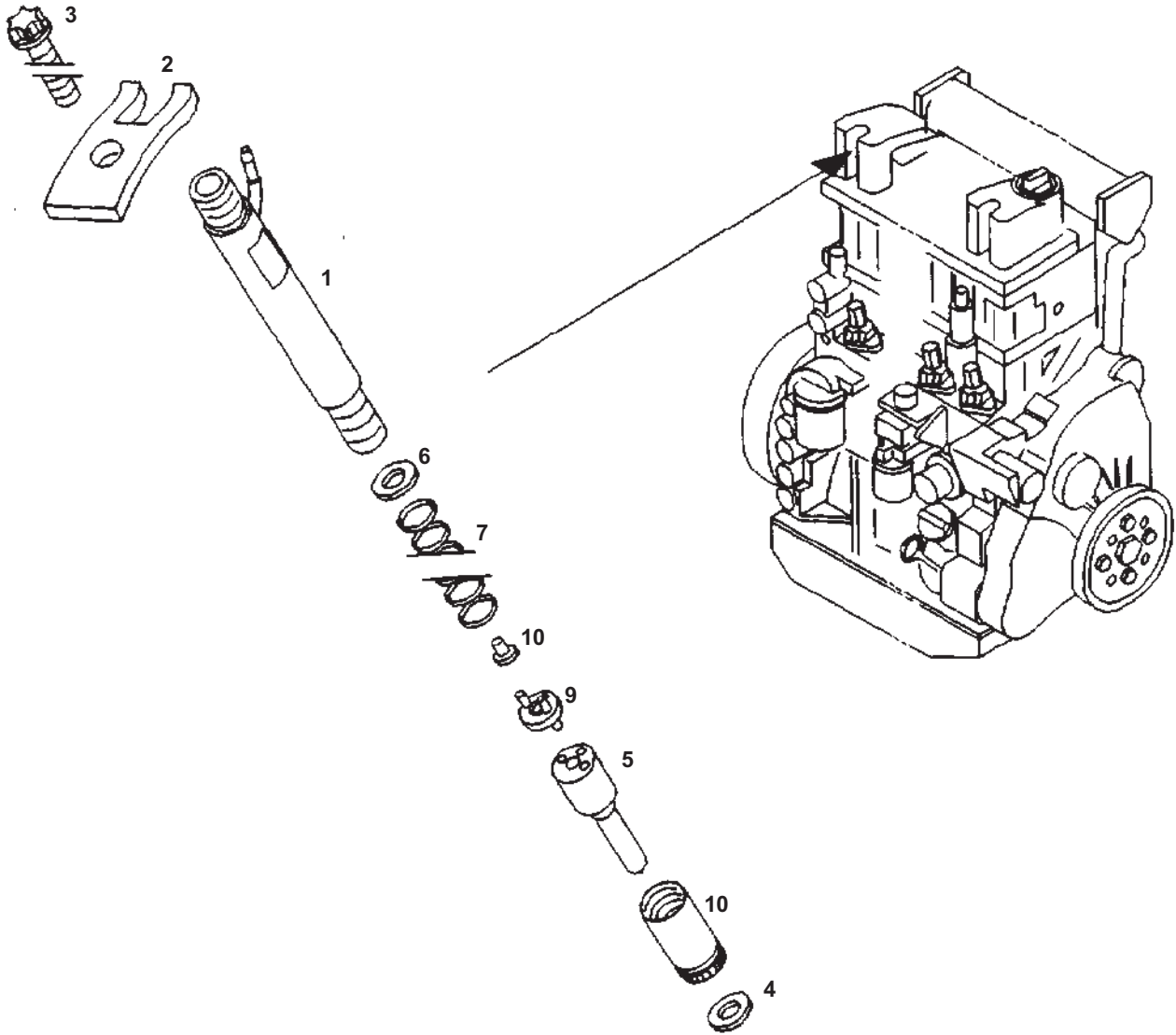
| Ref No. | Part No. | Description         | Quantity |
|---------|----------|---------------------|----------|
| 1       | 133116   | PLUG/SCREW 10 X 1MM | 1        |
| 2       | 133132   | RING/SEALING        | 1        |



| Ref No. | Part No. | Description               | Quantity |           |
|---------|----------|---------------------------|----------|-----------|
|         |          |                           | F3M/F4M  | BF3M/BF4M |
| 1       | 133589   | PUMP/FUEL INJECTION       | 1        | -         |
|         | 135523   | PUMP/FUEL INJECTION       | -        | 1         |
| 2       | 133392   | TAPPET/ROLLER             | 1        | 1         |
| 3       | 133150   | NUT/HEX 8-8MM             | 2        | -         |
|         | 133126   | NUT/HEX                   | -        | 2         |
| 4       | 133337   | WASHER/PLAIN              | 2        | 2         |
| 5       | 133418   | GASKET/COMPENSATION 0.4MM | AR       | AR        |
| 5A      | 133419   | GASKET/COMPENSATION 0.5MM | AR       | AR        |
| 5B      | 133420   | GASKET/COMPENSATION 0.6MM | AR       | AR        |
| 5C      | 133421   | GASKET/COMPENSATION 0.7MM | AR       | AR        |
| 5D      | 133422   | GASKET/COMPENSATION 0.8MM | AR       | AR        |
| 5E      | 133423   | GASKET/COMPENSATION 0.9MM | AR       | AR        |
| 5F      | 133424   | GASKET/COMPENSATION 1.0MM | AR       | AR        |
| 5G      | 187152   | GASKET/COMPENSATION 1.1MM | AR       | AR        |
| 5H      | 187151   | GASKET/COMPENSATION 1.2MM | AR       | AR        |
| 6       | 133438   | PLUG                      | 1        | 1         |



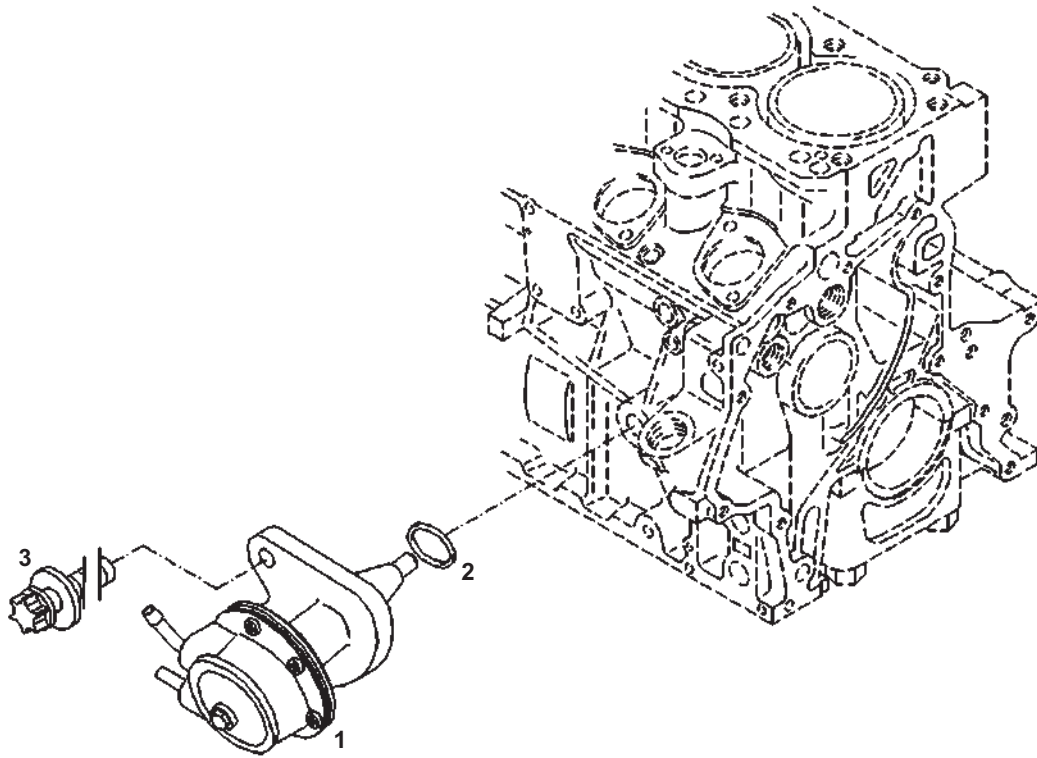
| Ref No. | Part No. | Description                     | Quantity F3M/F4M |
|---------|----------|---------------------------------|------------------|
| 1       | 133590   | INJECTOR/FUEL (INCLUDES ITEM 5) | 1                |
| 2       | 133391   | RING/SEALING                    | 1                |
| 3       | 133591   | CLAW                            | 1                |
| 4       | 187226   | BOLT/TORX HEAD                  | 1                |
| 5       | 133592   | ELEMENT/NOZZLE                  | 1                |



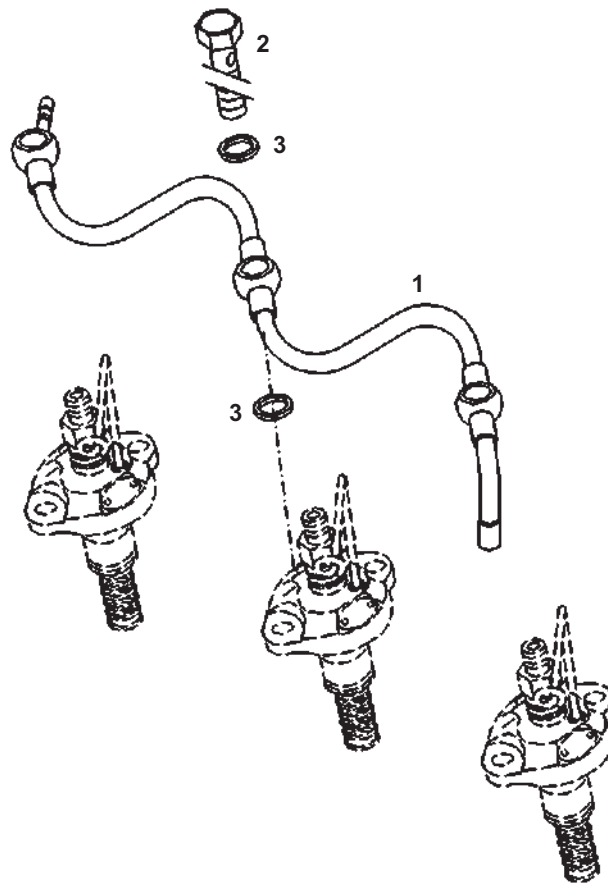
***Parts Listing On Next Page***

# 1011F DEUTZ ENGINE

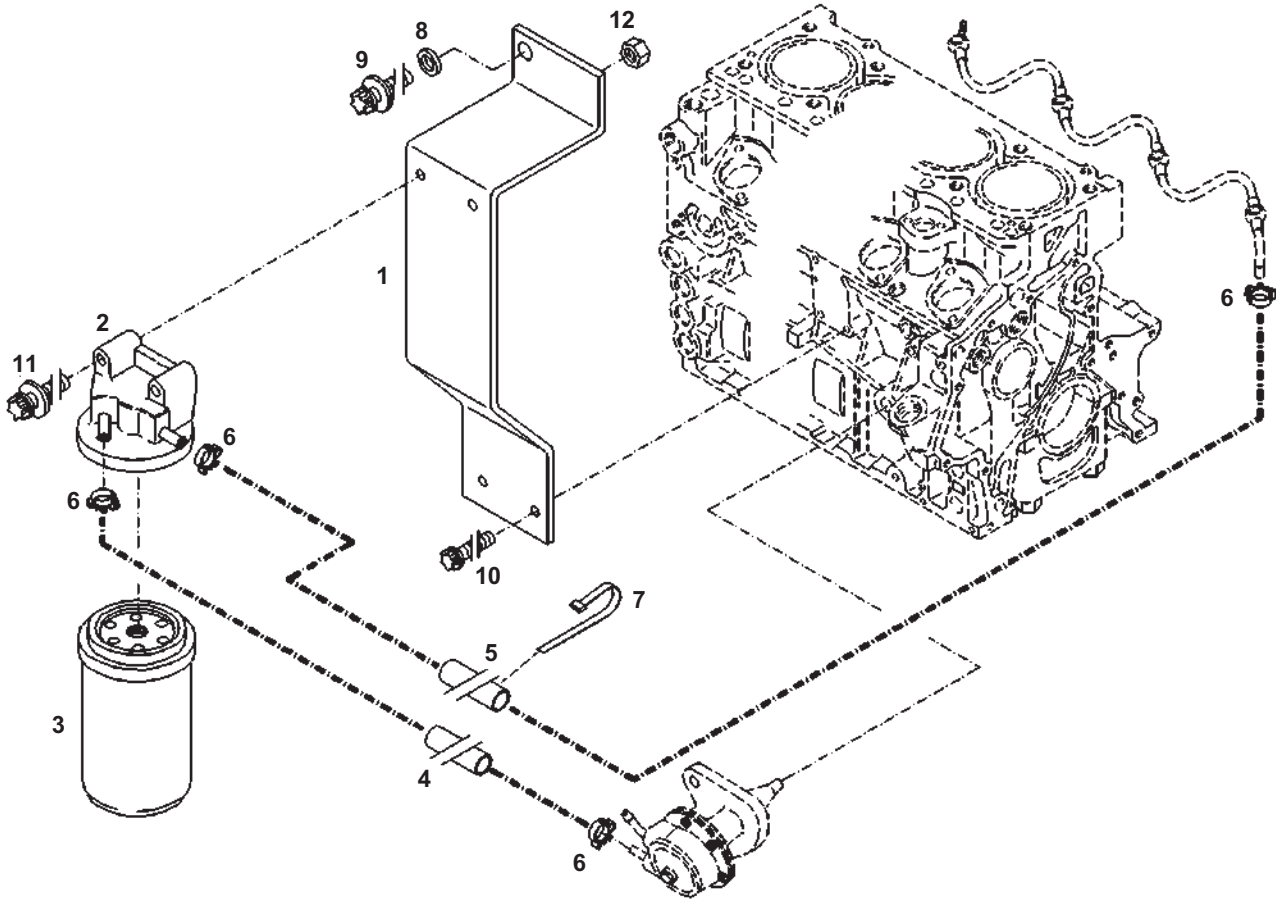
| Ref<br>No. | Part<br>No. | Description                         | Quantity |      |
|------------|-------------|-------------------------------------|----------|------|
|            |             |                                     | BF3M     | BF4M |
| 1          | 135522      | INJECTOR/FUEL (INCLUDES ITEMS 5-10) | 1        | -    |
|            | 133398      | INJECTOR/FUEL (INCLUDES ITEMS 5-10) | -        | 1    |
| 2          | 133399      | CLAW                                | 1        | 1    |
| 3          | 187226      | BOLT/TORX HEAD                      | 1        | 1    |
| 4          | 133391      | RING/SEALING                        | 1        | 1    |
| 5          | 133544      | ELEMENT/NOZZLE                      | 1        | -    |
|            | 133397      | ELEMENT/NOZZLE                      | -        | 1    |
| 6          | 133263      | SHIM STANDARD 1.00MM                | AR       | AR   |
| 6A         | 133269      | SHIM OVERSIZE 1.04MM                | AR       | AR   |
| 6B         | 133370      | SHIM OVERSIZE 1.08MM                | AR       | AR   |
| 6C         | 133264      | SHIM OVERSIZE 1.10MM                | AR       | AR   |
| 6D         | 133271      | SHIM OVERSIZE 1.14MM                | AR       | AR   |
| 6E         | 133272      | SHIM OVERSIZE 1.18MM                | AR       | AR   |
| 6F         | 133273      | SHIM OVERSIZE 1.20MM                | AR       | AR   |
| 6G         | 133297      | SHIM OVERSIZE 1.22MM                | AR       | AR   |
| 6H         | 133265      | SHIM OVERSIZE 1.24MM                | AR       | AR   |
| 6I         | 133274      | SHIM OVERSIZE 1.28MM                | AR       | AR   |
| 6J         | 133275      | SHIM OVERSIZE 1.30MM                | AR       | AR   |
| 6K         | 133276      | SHIM OVERSIZE 1.34MM                | AR       | AR   |
| 6L         | 133277      | SHIM OVERSIZE 1.38MM                | AR       | AR   |
| 6M         | 133278      | SHIM OVERSIZE 1.40MM                | AR       | AR   |
| 6N         | 133279      | SHIM OVERSIZE 1.44MM                | AR       | AR   |
| 6O         | 133280      | SHIM OVERSIZE 1.48MM                | AR       | AR   |
| 6P         | 133266      | SHIM OVERSIZE 1.50MM                | AR       | AR   |
| 6Q         | 133281      | SHIM OVERSIZE 1.54MM                | AR       | AR   |
| 6R         | 133282      | SHIM OVERSIZE 1.58MM                | AR       | AR   |
| 6S         | 133283      | SHIM OVERSIZE 1.60MM                | AR       | AR   |
| 6T         | 133284      | SHIM OVERSIZE 1.64MM                | AR       | AR   |
| 6U         | 133285      | SHIM OVERSIZE 1.68MM                | AR       | AR   |
| 6V         | 133286      | SHIM OVERSIZE 1.70MM                | AR       | AR   |
| 6W         | 133267      | SHIM OVERSIZE 1.74MM                | AR       | AR   |
| 6X         | 133287      | SHIM OVERSIZE 1.78MM                | AR       | AR   |
| 6Y         | 133288      | SHIM OVERSIZE 1.80MM                | AR       | AR   |
| 6Z         | 133289      | SHIM OVERSIZE 1.84MM                | AR       | AR   |
| 6AA        | 133290      | SHIM OVERSIZE 1.88MM                | AR       | AR   |
| 6AB        | 133291      | SHIM OVERSIZE 1.90MM                | AR       | AR   |
| 6AC        | 133292      | SHIM OVERSIZE 1.94MM                | AR       | AR   |
| 6AD        | 133268      | SHIM OVERSIZE 1.98MM                | AR       | AR   |
| 7          | 133293      | SPRING/COMPRESSION                  | 1        | 1    |
| 8          | 133294      | BOLT/THRUST                         | 1        | 1    |
| 9          | 133295      | SPACER                              | 1        | 1    |
| 10         | 133296      | NUT/NOZZLE CAP                      | 1        | 1    |



| <b>Ref No.</b> | <b>Part No.</b> | <b>Description</b> | <b>Quantity</b> |
|----------------|-----------------|--------------------|-----------------|
| 1              | 187546          | PUMP/FUEL SUPPLY   | 1               |
| 2              | 133218          | O-SEAL             | 1               |
| 3              | 187233          | BOLT/TORX HEAD     | 2               |

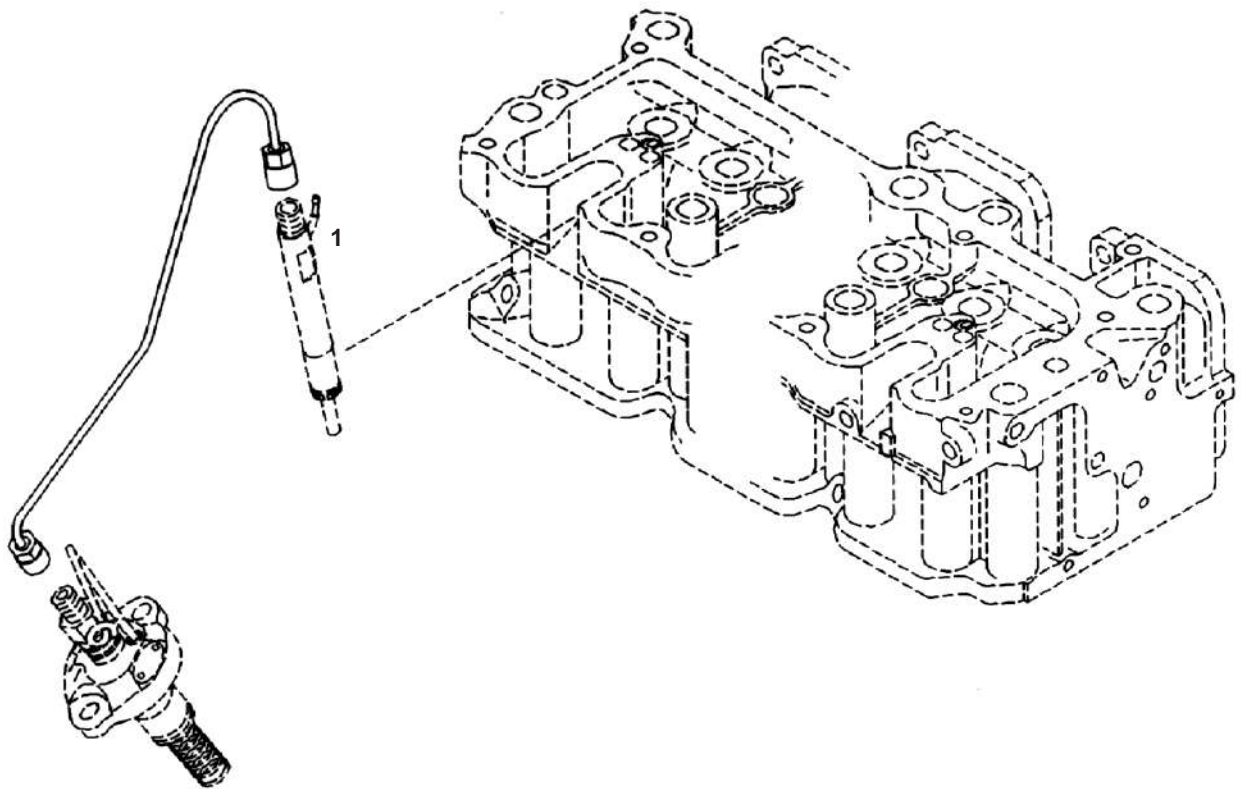


| Ref No. | Part No. | Description  | Quantity |          |
|---------|----------|--------------|----------|----------|
|         |          |              | F3M/BF3M | F4M/BF4M |
| 1       | 187543   | LINE/FUEL    | 1        | -        |
|         | 187544   | LINE/FUEL    | -        | 1        |
| 2       | 133141   | SCREW/HOLLOW | 3        | 4        |
| 3       | 187511   | RING/SEALING | 6        | 8        |

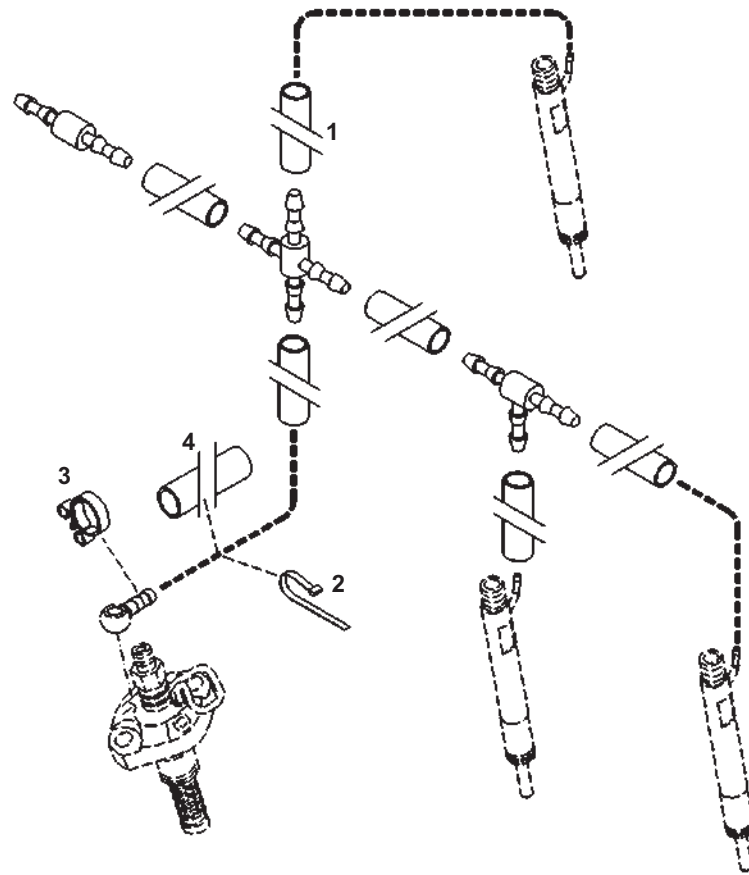


| Ref No. | Part No. | Description         | Quantity |
|---------|----------|---------------------|----------|
| 1       | 187191   | BRACKET             | 1        |
| 2       | 133429   | BRACKET             | 1        |
| 3       | 132024   | FILTER/SPIN-ON FUEL | 1        |
| 4       | 133308   | RUBBER/HOSE 390MM   | 1        |
| 5       | 133308   | RUBBER/HOSE 460MM   | 1        |
| 6       | 133243   | CLIP/HOSE           | 4        |
| 7       | 187173   | BAND/CLAMPING       | 1        |
| 8       | 187174   | WASHER/PLAIN        | 1        |
| 9       | 187233   | BOLT/TORX-HEAD      | 1        |
| 10      | 187506   | BOLT/TORX-HEAD      | 1        |
| 11      | 187229   | BOLT/TORX-HEAD      | 2        |
| 12      | 187177   | NUT/HEX             | 2        |

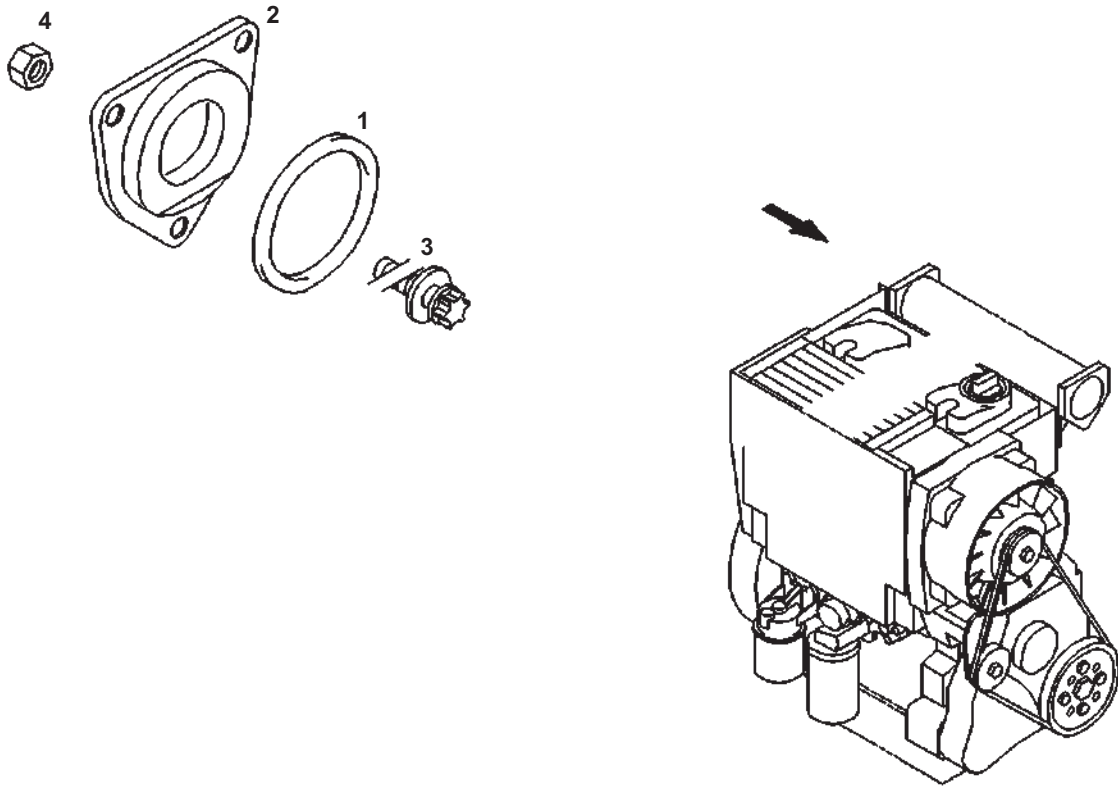




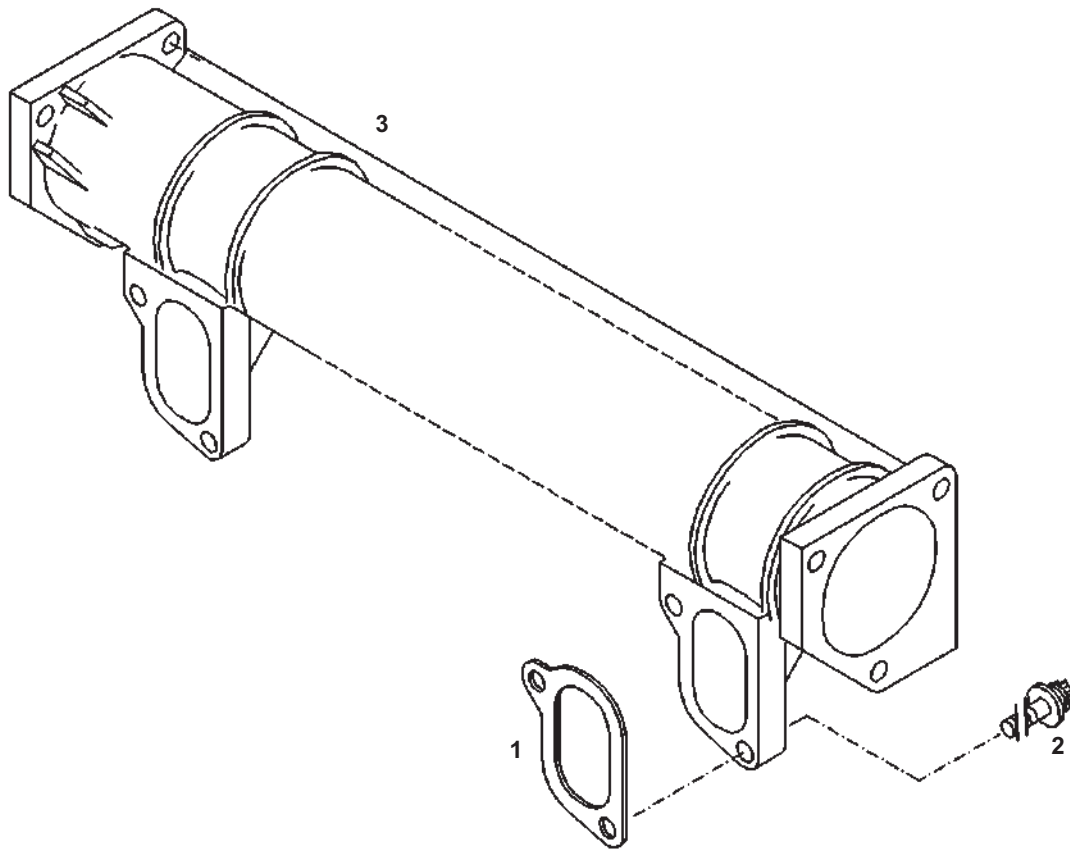
| Ref No. | Part No. | Description        | Quantity |
|---------|----------|--------------------|----------|
| 1       | 133585   | PIPE/HIGH PRESSURE | 1        |



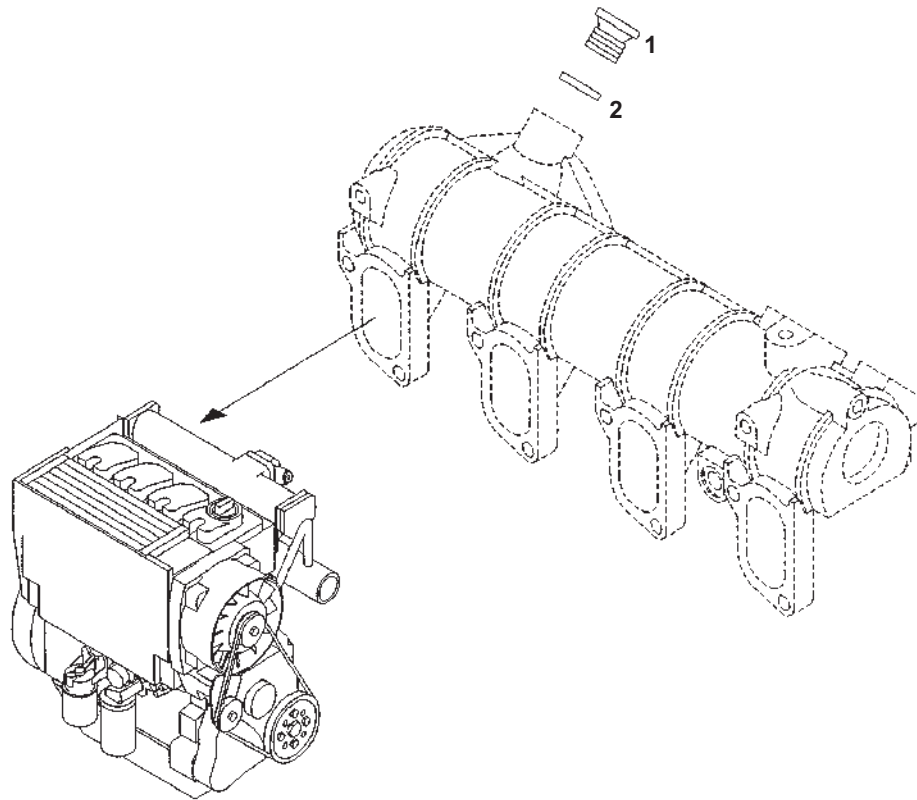
| Ref No. | Part No. | Description                                 | Quantity |          |
|---------|----------|---|----------|----------|
|         |          |   | F3M/BF3M | F4M/BF4M |
| 1       | 133596   | ASSEMBLY/OVERFLOW LINE (INCLUDES ITEMS 2-4) | 1        | -        |
|         | 133580   | ASSEMBLY/OVERFLOW LINE (INCLUDES ITEMS 2-4) | -        | 1        |
| 2       | 133244   | BAND/CLAMPING                               | 1        | 1        |
| 3       | 133583   | CLIP/HOSE                                   | 1        | 1        |
| 4       | 187514   | HOSE  | 1        | 1        |



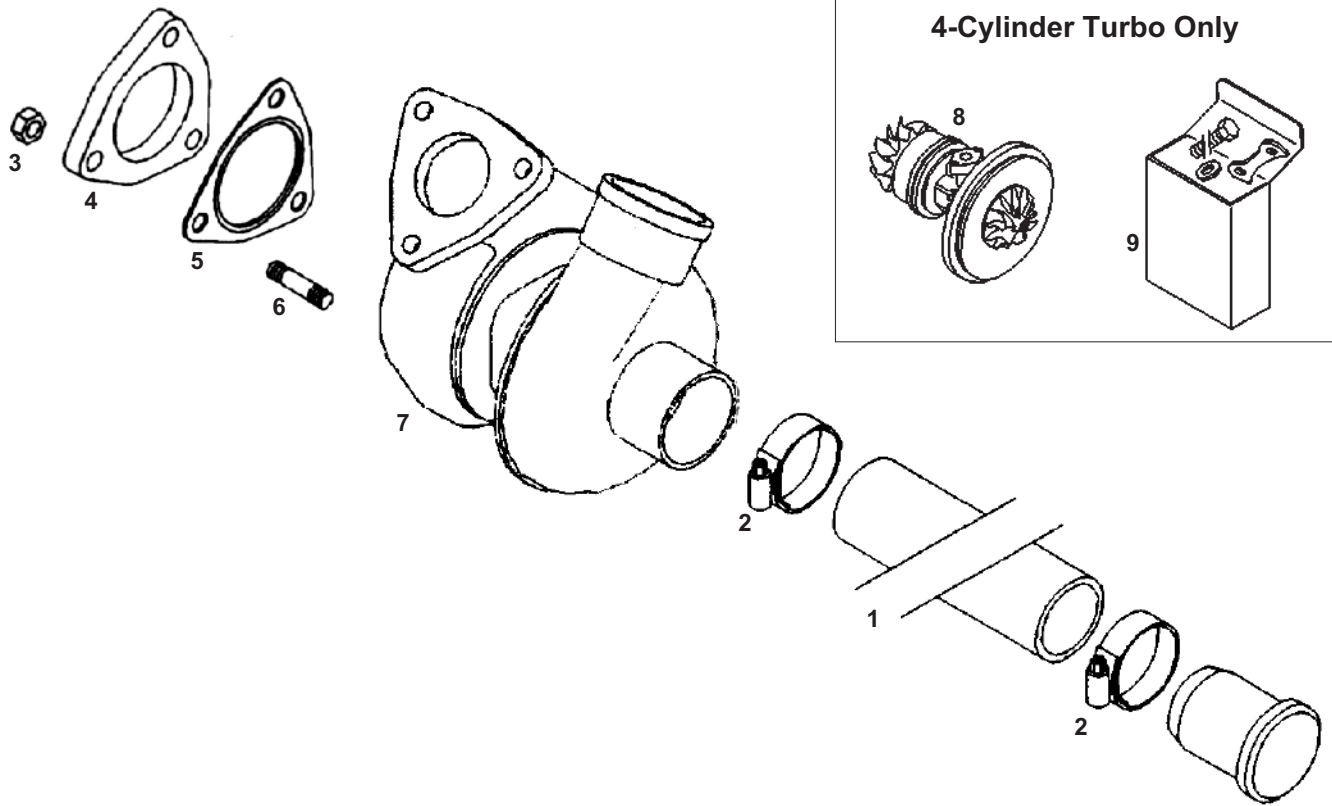
| Ref No. | Part No. | Description   | Quantity |
|---------|----------|---------------|----------|
| 1       | 187250   | O-SEAL        | 1        |
| 2       | 187199   | FLANGE        | 1        |
| 3       | 187248   | NUT/TORX-HEAD | 1        |
| 4       | 133126   | NUT/HEX       | 1        |



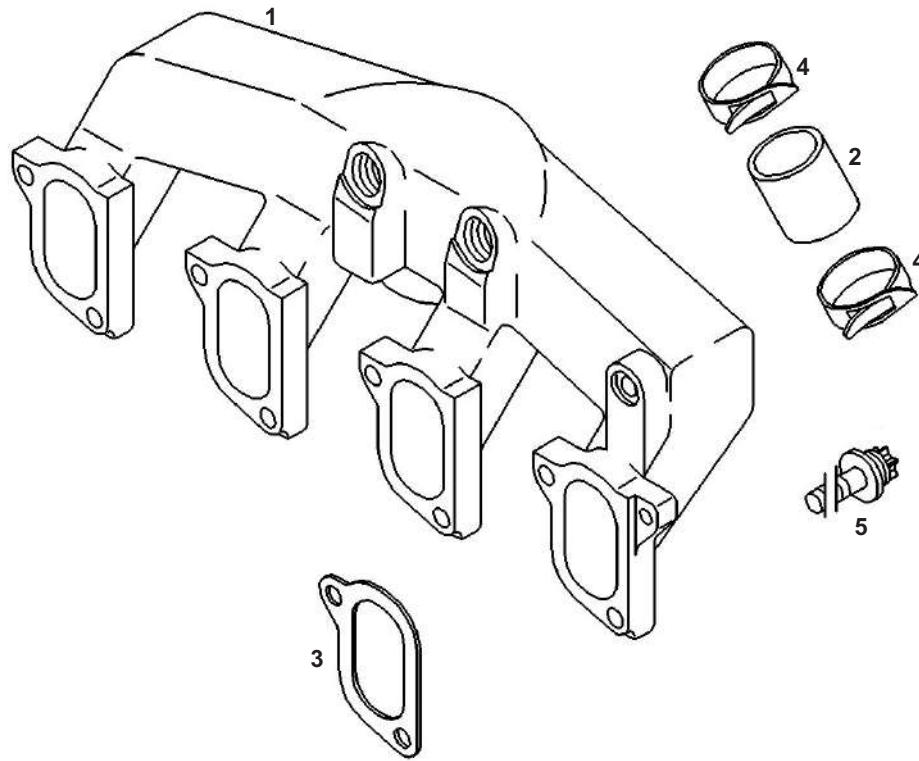
| Ref No. | Part No. | Description     | Quantity |     |
|---------|----------|-----------------|----------|-----|
|         |          |                 | F3M      | F4M |
| 1       | 133463   | GASKET          | 3        | 4   |
| 2       | 135500   | BOLT/TORX-HEAD  | 6        | 8   |
| 3       | 187166   | MANIFOLD/INTAKE | 1        | -   |
| 4       | 187167   | MANIFOLD/INTAKE | -        | 1   |



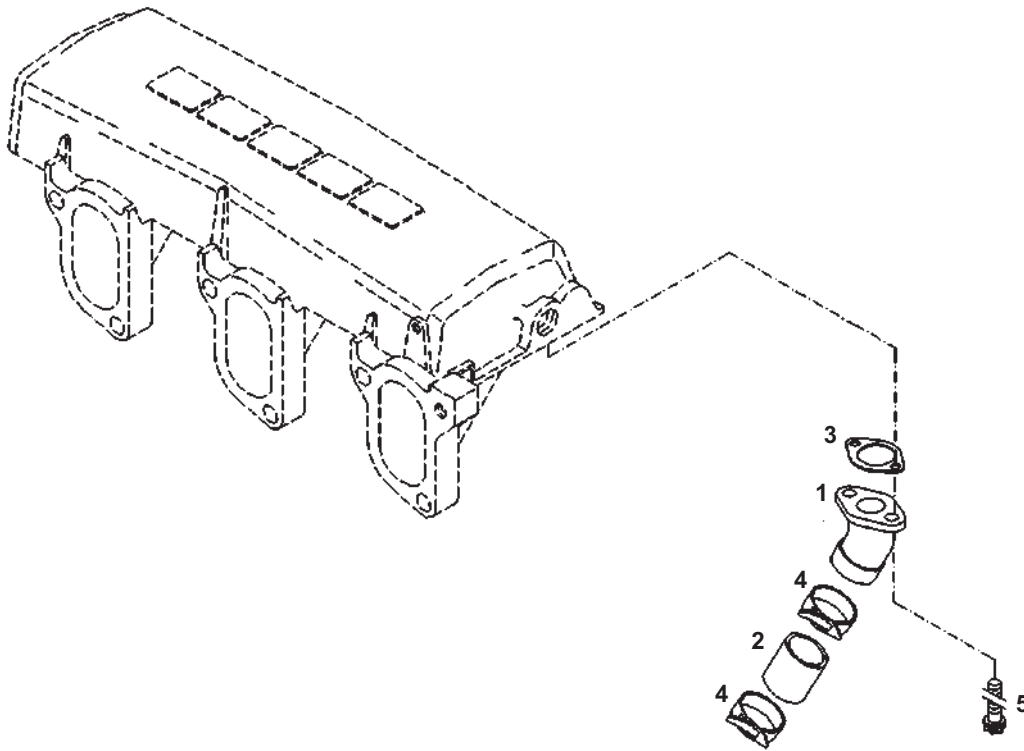
| Ref No. | Part No. | Description  | Quantity |
|---------|----------|--------------|----------|
| 1       | 133168   | PLUG/SCREW   | 1        |
| 2       | 133138   | RING/SEALING | 1        |



| Ref No. | Part No. | Description   | Quantity |      |
|---------|----------|---------------|----------|------|
|         |          |               | BF3M     | BF4M |
| 1       | 133529   | SLEEVE/RUBBER | 1        | 1    |
| 2       | 133200   | CLIP/HOSE     | 2        | 2    |
| 3       | 187278   | NUT/HEX       | 3        | 3    |
| 4       | 133532   | FLANGE        | 1        | 1    |
| 5       | 133364   | GASKET        | 1        | 1    |
| 6       | 133180   | STUD          | 3        | 3    |
| 7       | 187541   | TURBOCHARGER  | 1        | -    |
|         | 187540   | TURBOCHARGER  | -        | 1    |
| 8       | 133229   | ASSEMBLY/CORE | -        | 1    |
| 9       | 187513   | KIT/REPAIR    | -        | 1    |

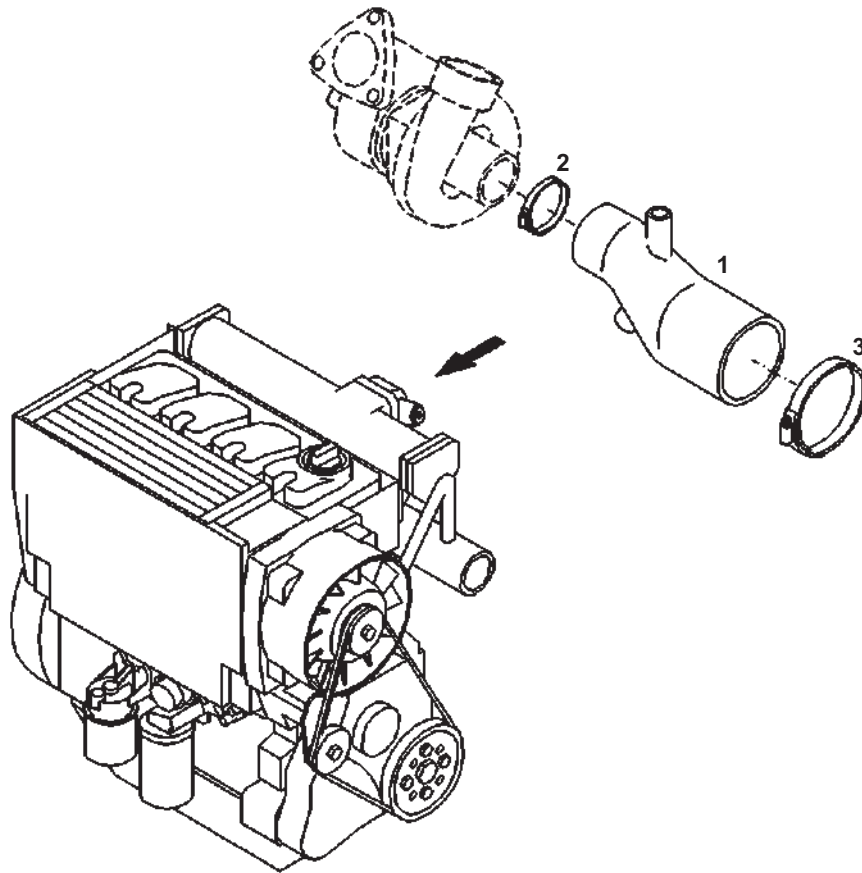


| Ref No. | Part No. | Description       | Quantity |      |
|---------|----------|-------------------|----------|------|
|         |          |                   | BF3M     | BF4M |
| 1       | 187532   | PIPE/CHARGE AIR   | 1        | -    |
|         | 133485   | PIPE/SUCTION      | -        | 1    |
| 2       | 133201   | SLEEVE/RUBBER     | -        | 1    |
| 3       | 133463   | GASKET            | 3        | 4    |
| 4       | 133214   | CLAMP/SPRING BAND | -        | 2    |
| 5       | 187231   | BOLT/TORX-HEAD    | 6        | 8    |

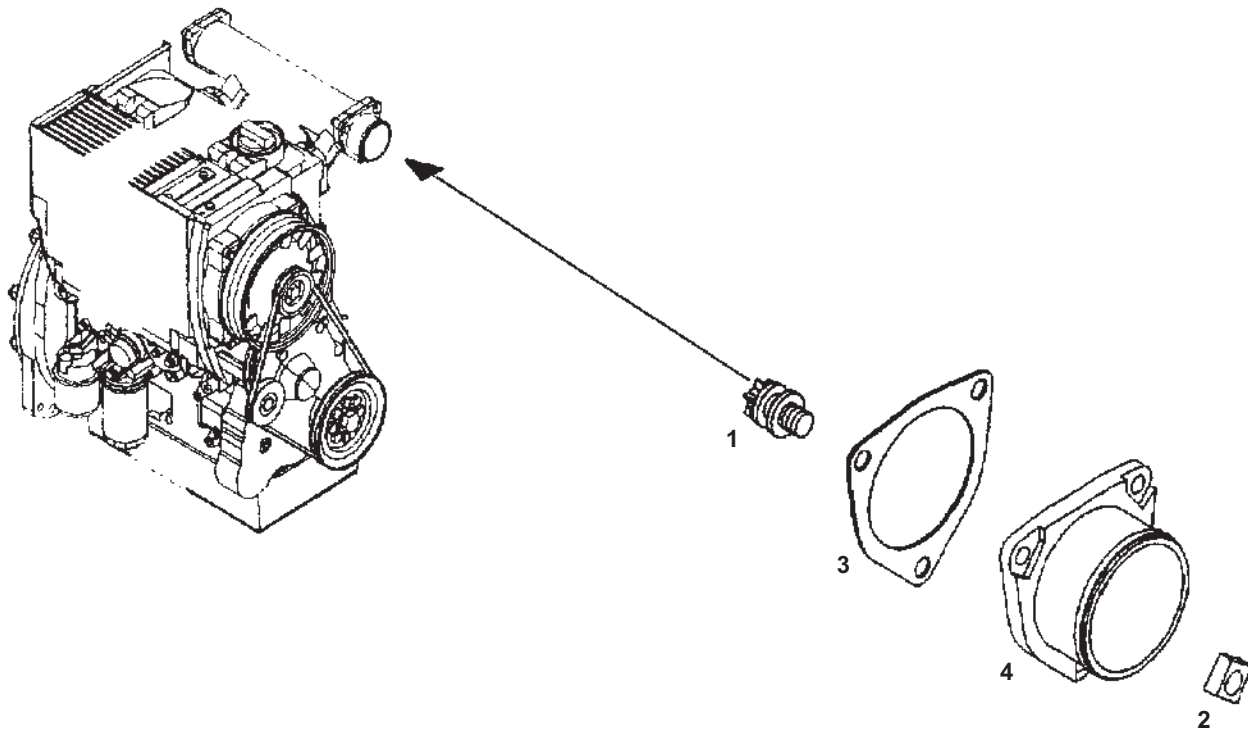


| Ref No. | Part No. | Description       | Quantity BF3M |
|---------|----------|-------------------|---------------|
| 1       | 187163   | ELBOW/CHARGE AIR  | 1             |
| 2       | 187254   | SLEEVE/RUBBER     | 1             |
| 3       | 187162   | GASKET            | 1             |
| 4       | 133214   | CLAMP/SPRING BAND | 2             |
| 5       | 187226   | BOLT/TORX HEAD    | 2             |

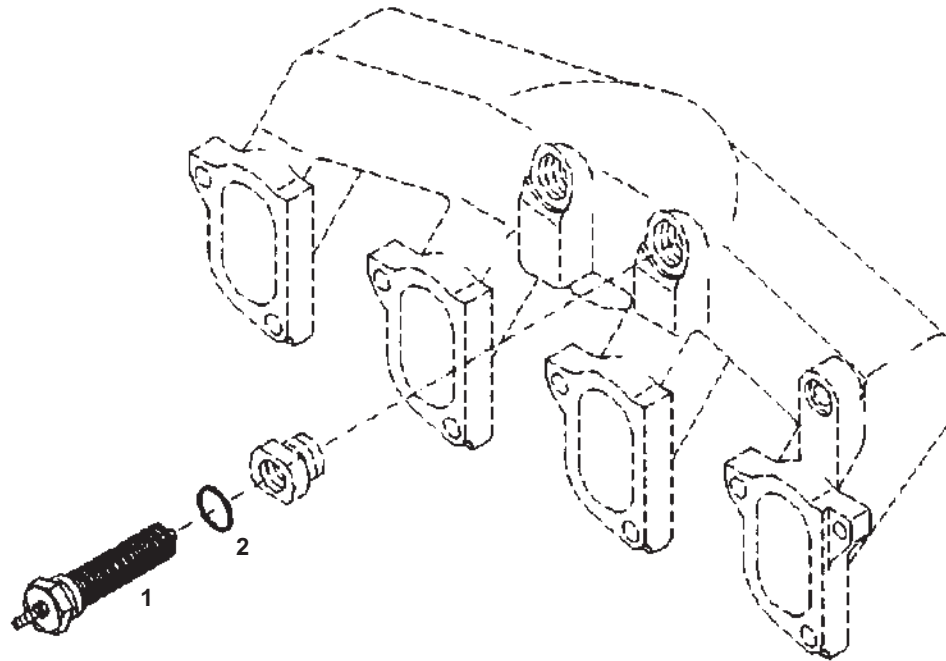




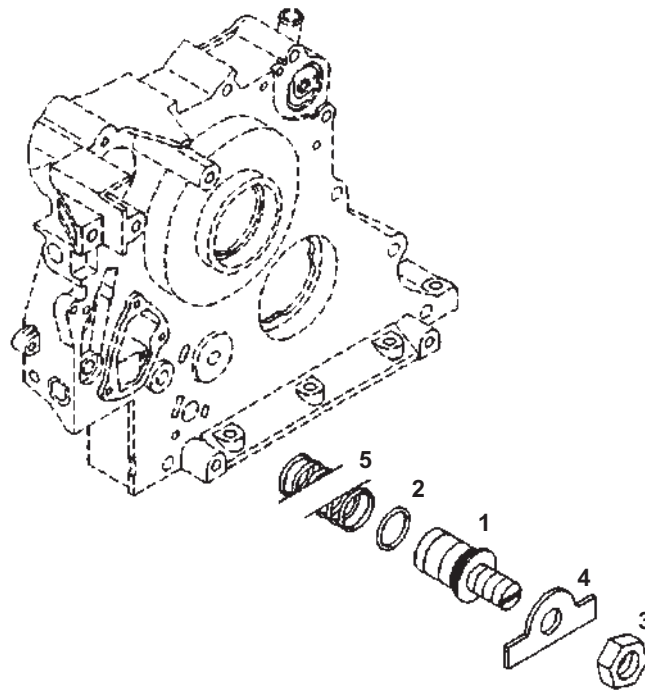
| Ref No. | Part No. | Description | Quantity BF4M |
|---------|----------|-------------|---------------|
| 1       | 133577   | REDUCER     | 1             |
| 2       | 133200   | CLIP/HOSE   | 1             |
| 3       | 133190   | CLIP/HOSE   | 1             |



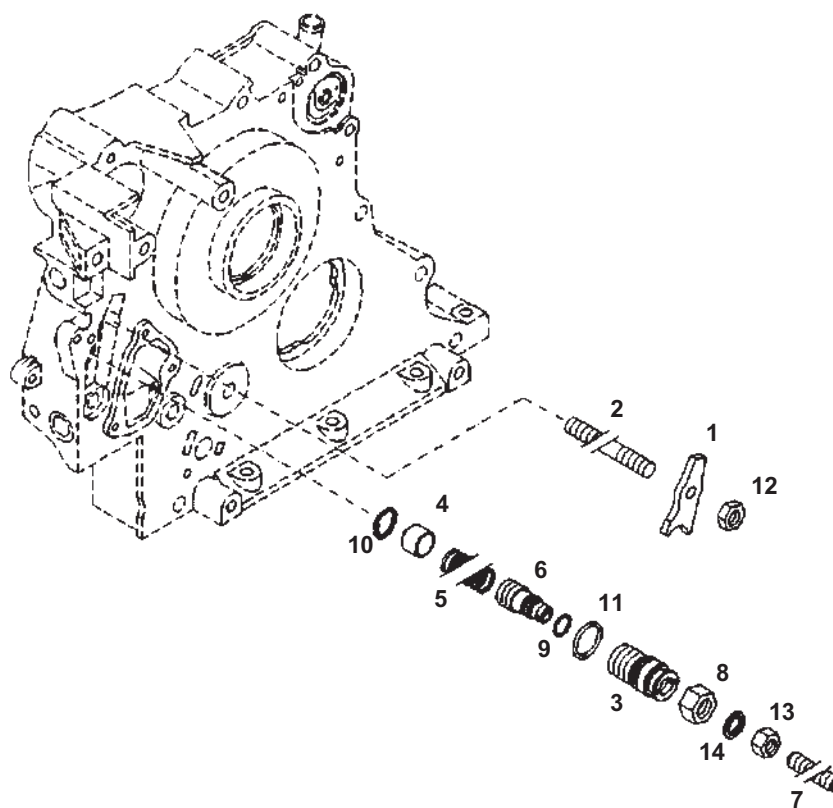
| Ref No. | Part No. | Description                       | Quantity |
|---------|----------|-----------------------------------|----------|
| 1       | 133229   | BOLT/TORX HEAD 8 X 30MM CLASS 8.8 | 3        |
| 2       | 133115   | NUT/SQUARE                        | 3        |
| 3       | 133331   | GASKET                            | 1        |
| 4       | 133593   | NIPPLE/HOSE                       | 1        |



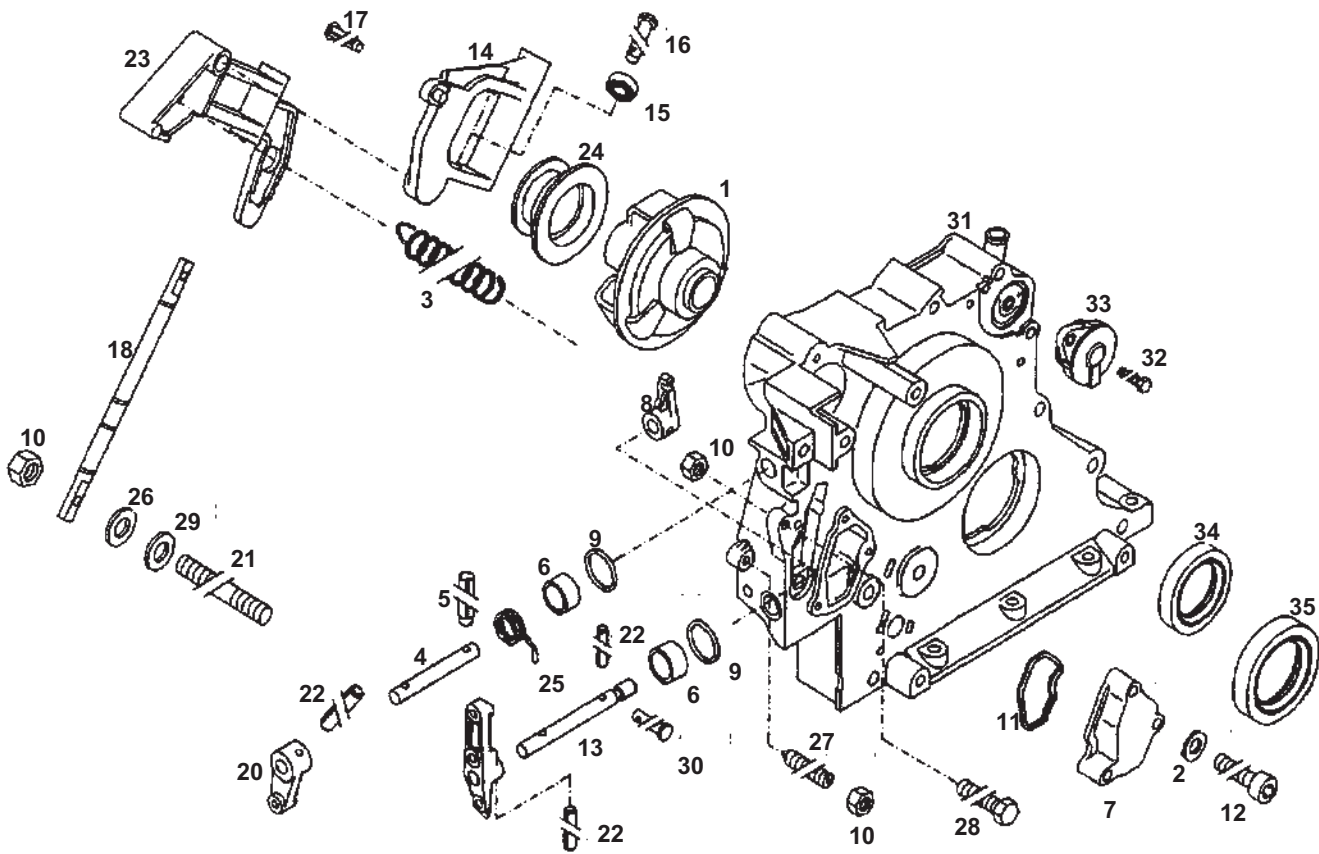
| Ref No. | Part No. | Description  | Quantity |
|---------|----------|--------------|----------|
| 1       | 133215   | PLUG/GLOW    | 1        |
| 2       | 133138   | RING/SEALING | 1        |



| Ref No. | Part No. | Description        | Quantity |
|---------|----------|--------------------|----------|
| 1       | 135510   | CAPSULE            | 1        |
| 2       | 135499   | O-SEAL             | 1        |
| 3       | 133127   | NUT/HEX 6-8MM      | 1        |
| 4       | 135512   | WASHER/PLAIN       | 1        |
| 5       | 135514   | SPRING/COMPRESSION | 1        |

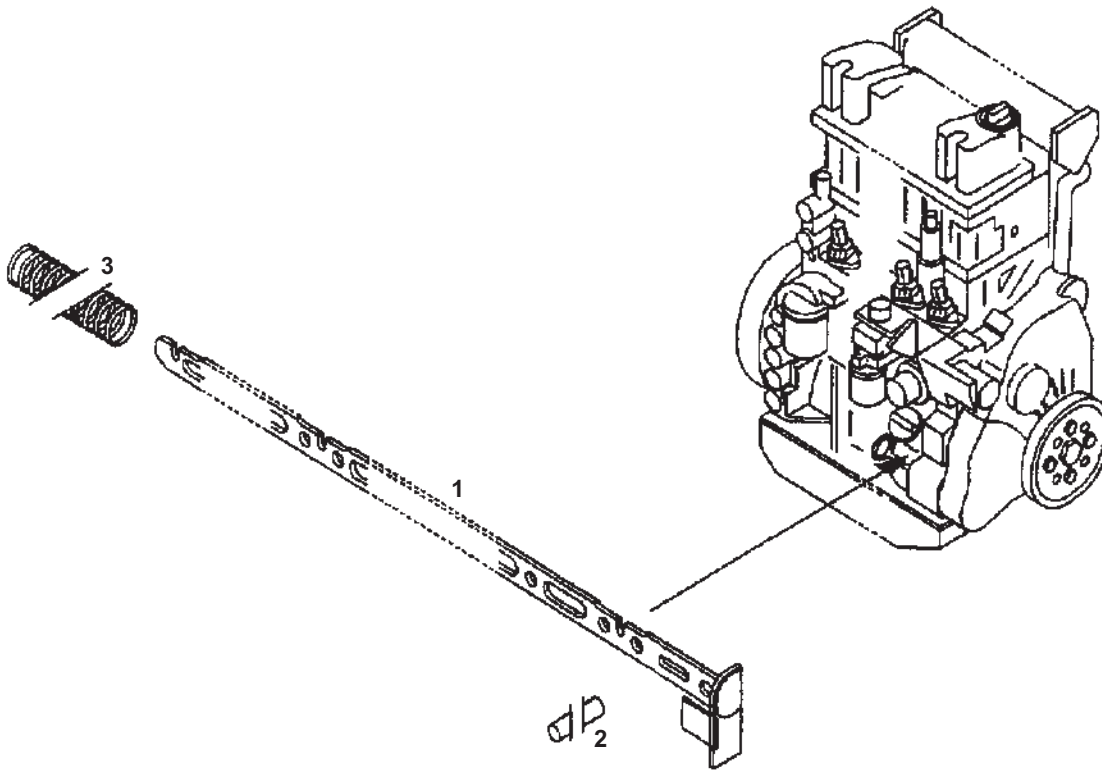


| Ref No. | Part No. | Description             | Quantity |
|---------|----------|-------------------------|----------|
| 1       | 133377   | CLAW                    | 1        |
| 2       | 133175   | STUD 6 X 20MM CLASS 8.8 | 1        |
| 3       | 133507   | SCREW/ADJUSTING         | 1        |
| 4       | 133506   | STOP/LIMIT              | 1        |
| 5       | 133384   | SPRING/COMPRESSION      | 1        |
| 6       | 133386   | SCREW/SETTING           | 1        |
| 7       | 133171   | SCREW/SET 5 X 55MM      | 1        |
| 8       | 133334   | NUT/HEX                 | 1        |
| 9       | 133188   | O-SEAL                  | 1        |
| 10      | 133114   | CIRCLIP                 | 1        |
| 11      | 133182   | O-SEAL                  | 1        |
| 12      | 133127   | NUT/HEX 6-8MM           | 1        |
| 13      | 135495   | NUT/HEX 5-8MM           | 1        |
| 14      | 133226   | RING/SEALING            | 1        |



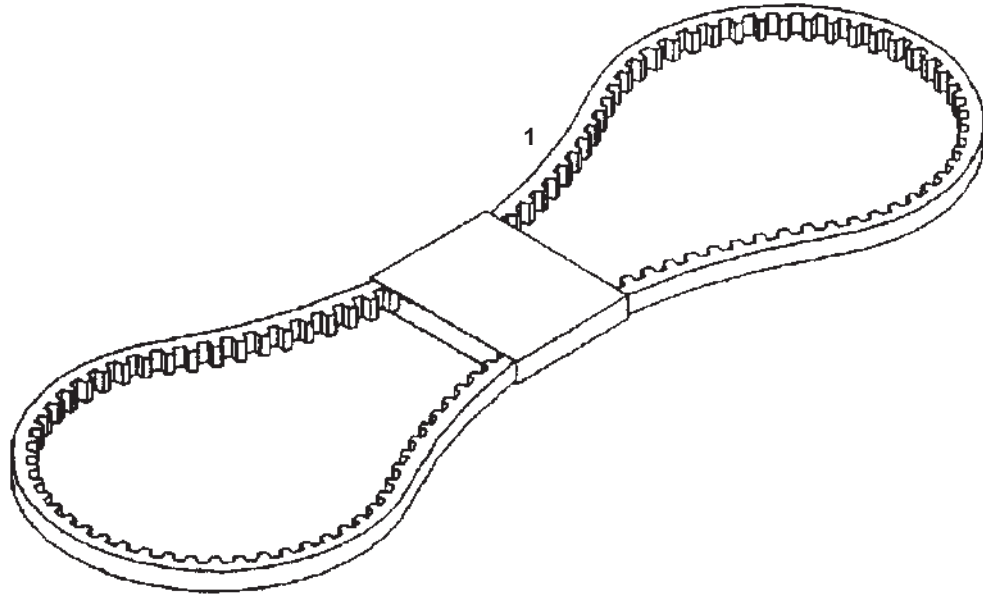
**Parts Listing On Next Page**

| Ref<br>No. | Part<br>No. | Description                          | Quantity |     |      |      |
|------------|-------------|--------------------------------------|----------|-----|------|------|
|            |             |                                      | F3M      | F4M | BF3M | BF4M |
| 1          | 135515      | UNIT/METERING                        | 1        | 1   | -    | 1    |
|            | 187542      | UNIT/METERING                        | -        | -   | 1    | -    |
| 2          | 135491      | WASHER/PLAIN                         | 3        | 3   | 3    | 3    |
| 3          | 135513      | SPRING/TENSION                       | 1        | -   | -    | -    |
|            | 133570      | SPRING/TENSION                       | -        | 1   | -    | 1    |
|            | 133570      | SPRING/TENSION                       | -        | -   | 1    | -    |
| 4          | 133382      | SHAFT/LEVER                          | 1        | 1   | 1    | 1    |
| 5          | 133128      | PIN/NOTCHED                          | 1        | 1   | -    | 1    |
|            | 187549      | PIN/STRAIGHT                         | -        | -   | 1    | -    |
| 6          | 133393      | SLEEVE                               | 1        | 1   | 3    | 3    |
| 7          | 133435      | COVER                                | 1        | 1   | 1    | 1    |
| 8          | 133395      | LEVER/ARM                            | 1        | 1   | 1    | 1    |
| 9          | 133247      | O-SEAL                               | 2        | 2   | 2    | 2    |
| 10         | 135496      | NUT/HEX 6-8MM                        | 4        | 4   | -    | 4    |
|            | 187267      | NUT/HEX 6-8MM                        | -        | -   | 4    | -    |
| 11         | 133431      | WASHER/PROFILE                       | 1        | 1   | 1    | 1    |
| 12         | 133241      | SCREW/SOCKET HEAD 6 X 35MM CLASS 8.8 | 3        | 3   | 3    | 3    |
| 13         | 133385      | SHAFT/LEVER                          | 1        | 1   | 1    | 1    |
| 14         | 133412      | LEVER/ROLLER (INCLUDES ITEMS 15-17)  | 1        | 1   | 1    | 1    |
| 15         | 133152      | BEARING/BALL                         | 2        | 2   | 2    | 2    |
| 16         | 133246      | PIN/CLEVIS                           | 2        | 2   | 2    | 2    |
| 17         | 133129      | NAIL/NOTCHED                         | 1        | 1   | 1    | 1    |
| 18         | 133406      | AXLE                                 | 1        | 1   | 1    | 1    |
| 19         | 135511      | LEVER/ARM                            | 1        | -   | -    | -    |
|            | 133464      | LEVER/ARM                            | -        | 1   | 1    | 1    |
| 20         | 133328      | LEVER/SHUT-OFF                       | 1        | 1   | 1    | 1    |
| 21         | 133179      | STUD 6 X 12MM CLASS 8.8              | 2        | 2   | 2    | 2    |
| 22         | 133130      | PIN/STRAIGHT                         | 3        | 3   | 3    | 3    |
| 23         | 133594      | LEVER/ARM                            | 1        | -   | -    | -    |
|            | 133484      | LEVER/ARM                            | -        | 1   | -    | 1    |
|            | 187533      | LEVER/ARM                            | -        | -   | 1    | -    |
| 24         | 135516      | SLEEVE                               | 1        | -   | -    | -    |
|            | 133497      | SLEEVE                               | -        | 1   | 1    | 1    |
| 25         | 133383      | SPRING/TORSION                       | 1        | 1   | 1    | 1    |
| 26         | 133351      | WASHER/PLAIN                         | 3        | 3   | 3    | 1    |
| 27         | 133174      | SCREW/SET                            | 1        | 1   | 1    | 1    |
| 28         | 133121      | BOLT/HEX                             | 1        | 1   | 1    | 1    |
| 29         | 133262      | WASHER/PLAIN                         | 2        | 2   | 2    | 1    |
| 30         | 133160      | PIN/CLEVIS                           | 1        | 1   | 1    | 1    |
| 31         | 133425      | COVER/FRONT                          | 1        | 1   | -    | 1    |
|            | 187522      | COVER/FRONT                          | -        | -   | 1    | -    |
| 32         | 133163      | BOLT/HEX 6 X 25MM CLASS 8.8          | 1        | 1   | 1    | 1    |
| 33         | 187187      | VALVE/BREATHER (INCLUDES ITEM 36)    | 1        | 1   | 1    | 1    |
| 34         | 133389      | SEAL/ROTATOR SHAFT LIP               | 1        | 1   | 1    | 1    |
| 35         | 133388      | SEAL/ROTATOR SHAFT LIP               | 1        | 1   | 1    | 1    |
| 36         | 133250      | O-SEAL                               | 1        | 1   | -    | 1    |
|            | 187223      | O-SEAL                               | -        | -   | 1    | -    |

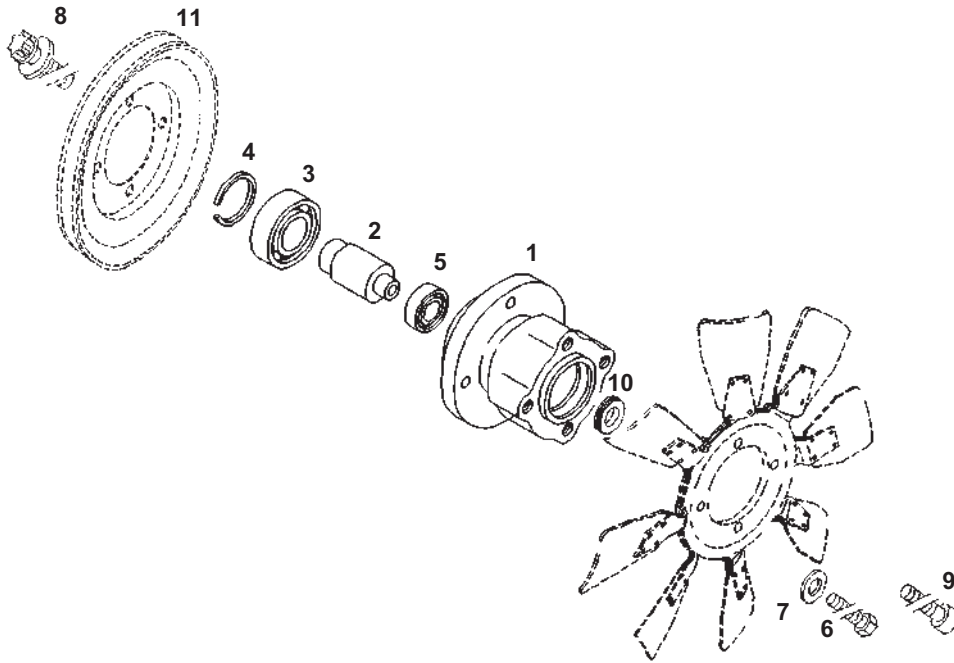


| Ref No. | Part No. | Description        | Quantity |          |
|---------|----------|--------------------|----------|----------|
|         |          |                    | F3M/BF3M | F4M/BF4M |
| 1       | 135527   | ROD/CONTROL        | 1        | -        |
|         | 135528   | ROD/CONTROL        | -        | 1        |
| 2       | 133396   | PIN/LOCATING       | 1        | 1        |
| 3       | 133360   | SPRING/COMPRESSION | 1        | 1        |

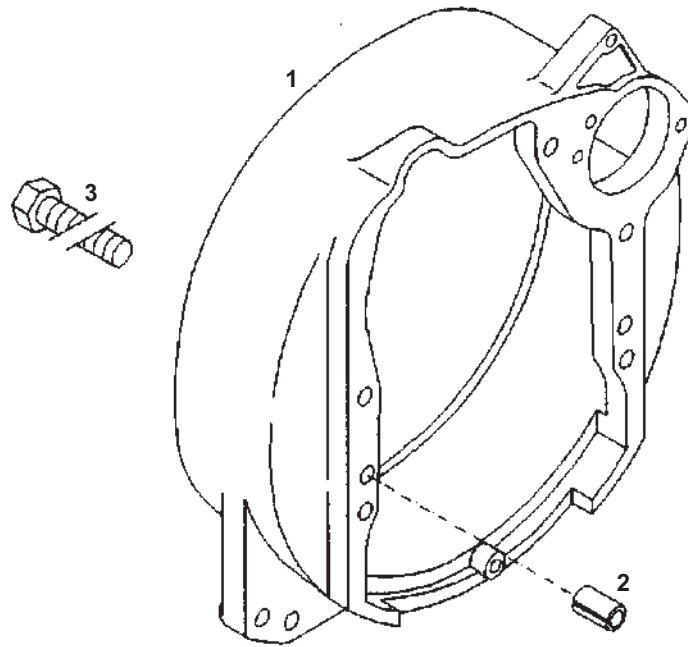




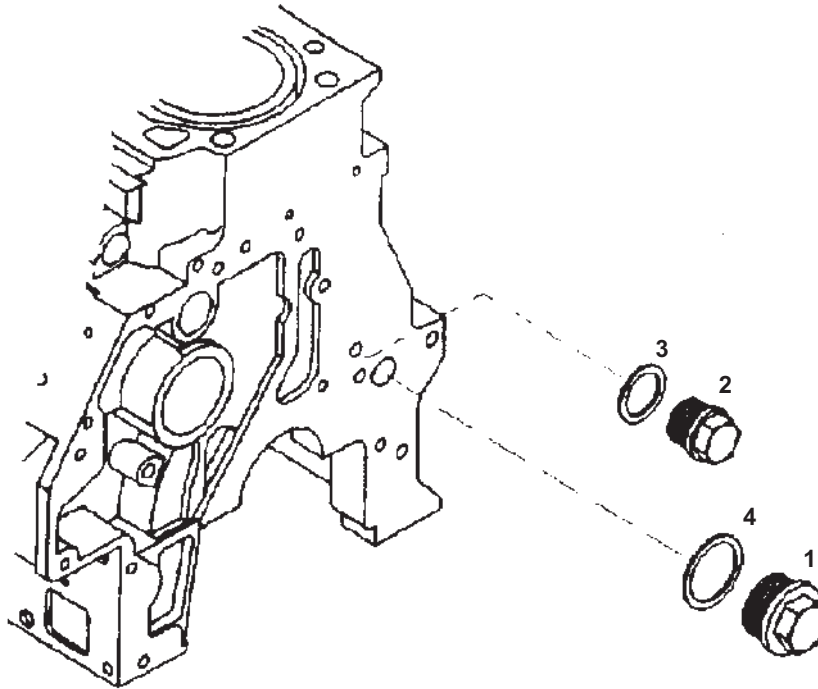
| Ref No. | Part No. | Description   | Quantity |
|---------|----------|---------------|----------|
| 1       | 132989   | V-BELT/NARROW | 1        |



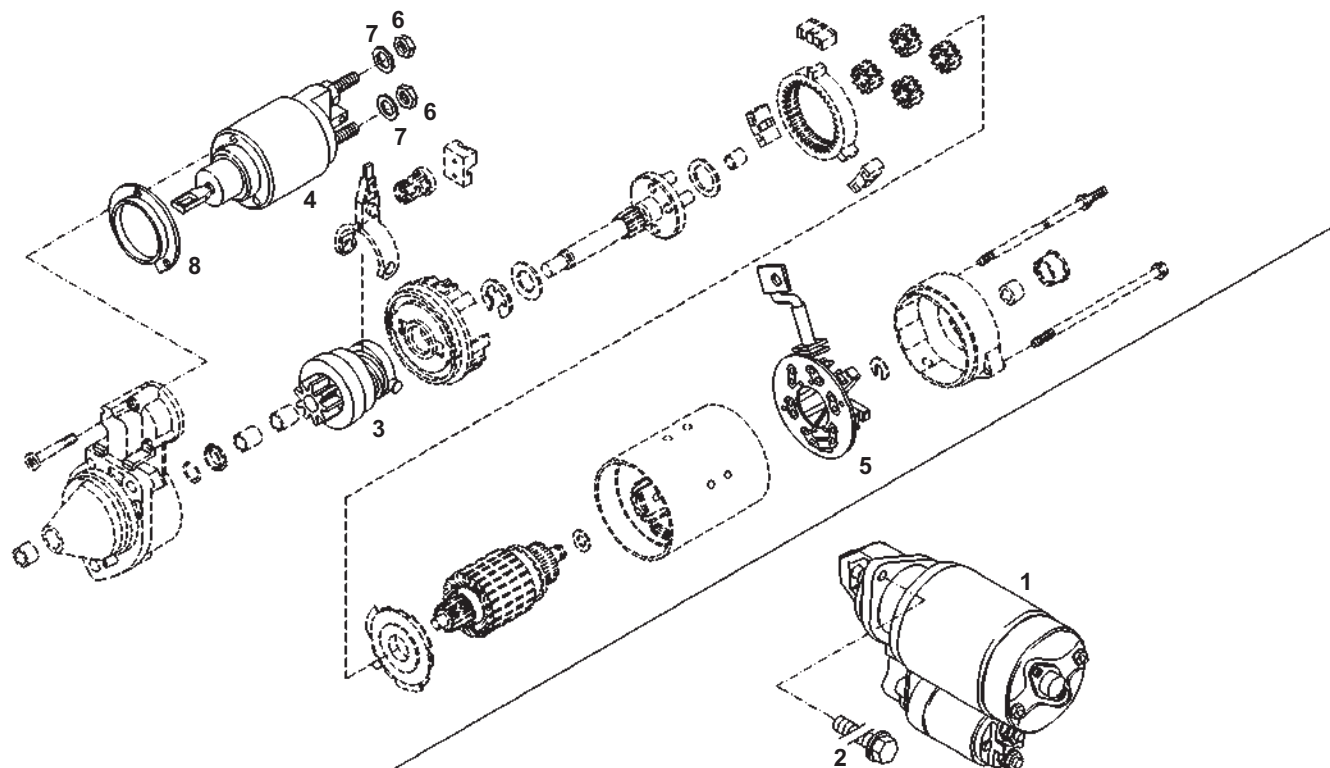
| Ref No. | Part No. | Description                             | Quantity |
|---------|----------|---|----------|
| 1       | 135538   | SUPPORT/FAN (INCLUDES ITEMS 2-5)        | 1        |
| 2       | 133502   | SHAFT                                   | 1        |
| 3       | 133156   | BEARING/BALL                            | 1        |
| 4       | 133187   | CIRCLIP                                 | 1        |
| 5       | 133255   | BEARING/BALL                            | 1        |
| 6       | 135493   | BOLT/HEX 8 X 20MM CLASS 10.9            | 4        |
| 7       | 133173   | WASHER/PLAIN                            | 4        |
| 8       | 187234   | BOLT/TORX HEAD                          | 4        |
| 9       | 133177   | SCREW/SOCKET HEAD 10 X 110MM CLASS 12.9 | 1        |
| 10      | 187256   | WASHER/PLAIN                            | 1        |
| 11      | 133365   | PULLEY/V-GROOVED                        | 1        |



| Ref No. | Part No. | Description      | Quantity |
|---------|----------|------------------|----------|
| 1       | 135537   | HOUSING/ADAPTER  | 1        |
| 2       | 133329   | BUSHING/CLAMPING | 2        |
| 3       | 133110   | BOLT/HEX         | 4        |



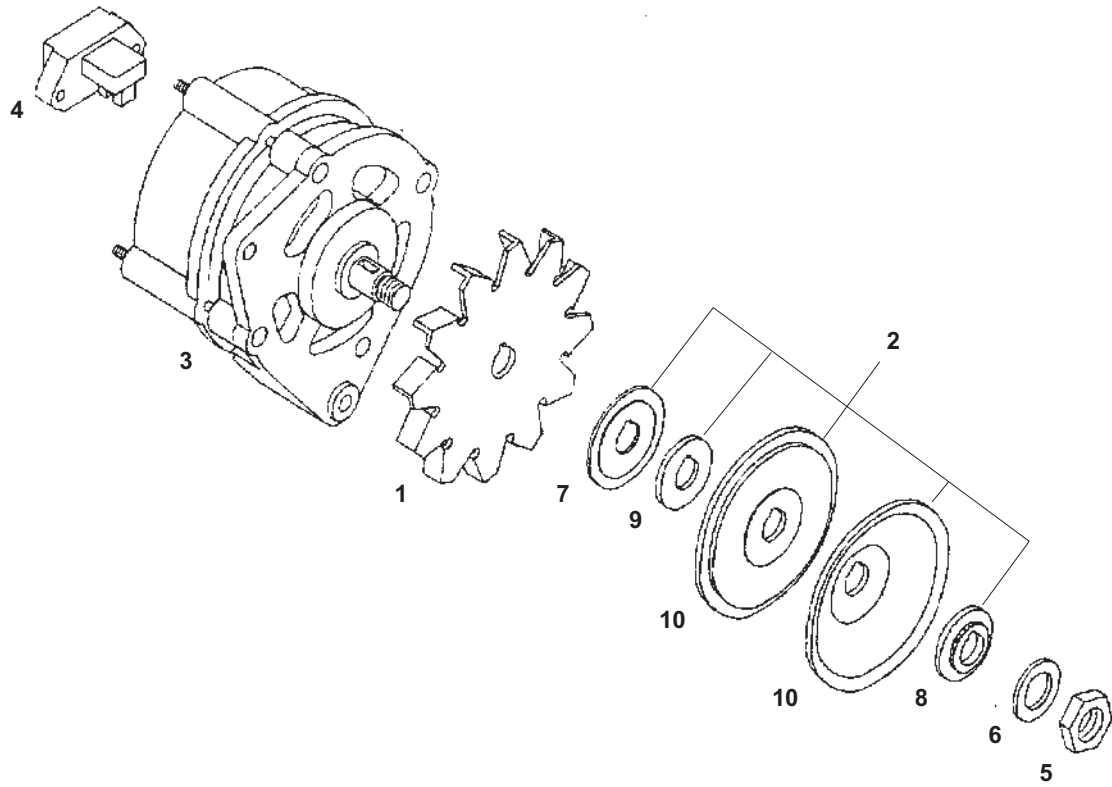
| Ref No. | Part No. | Description           | Quantity |
|---------|----------|-----------------------|----------|
| 1       | 133149   | PLUG/SCREW 18 X 1.5MM | 1        |
| 2       | 133144   | PLUG/SCREW 10 X 1MM   | 1        |
| 3       | 133132   | RING/SEALING          | 1        |
| 4       | 133137   | RING/SEALING          | 1        |



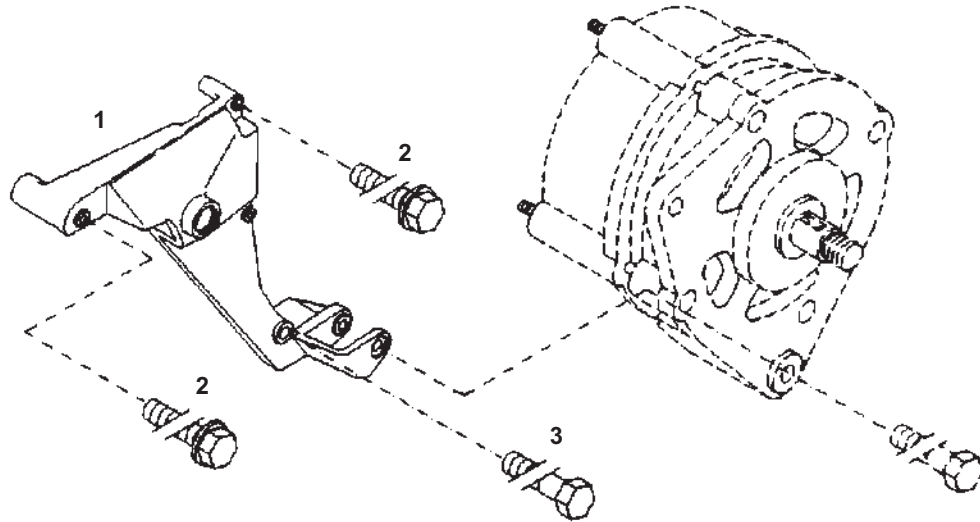
| Ref No. | Part No. | Description                     | Quantity |
|---------|----------|---------------------------------|----------|
| 1       | 138859a  | STARTER                         | 1        |
|         | 133557b  | STARTER                         | 1        |
| 2       | 187239a  | BOLT/HEX                        | 2        |
|         | 133239b  | BOLT/HEX M10 X 25 MM CLASS 10.9 | 2        |
| 3       | 187213a  | PINION/STARTER                  | 1        |
|         | 133603b  | PINION/STARTER                  | 1        |
| 4       | 133301   | RELAY                           | 1        |
| 5       | 187216a  | HOLDER/BRUSH                    | 1        |
|         | 133604b  | HOLDER/BRUSH                    | 1        |
| 6       | 187218a  | NUT/HEX                         | 2        |
|         | 133605b  | NUT/HEX                         | 2        |
| 7       | 187214a  | WASHER/SPRING                   | 2        |
|         | 133607b  | WASHER/SPRING                   | 2        |
| 8       | 187217a  | PLATE/COVERING                  | 1        |
|         | 133608b  | PLATE/COVERING                  | 1        |

a) Used in engines with serial number 618098 and later.

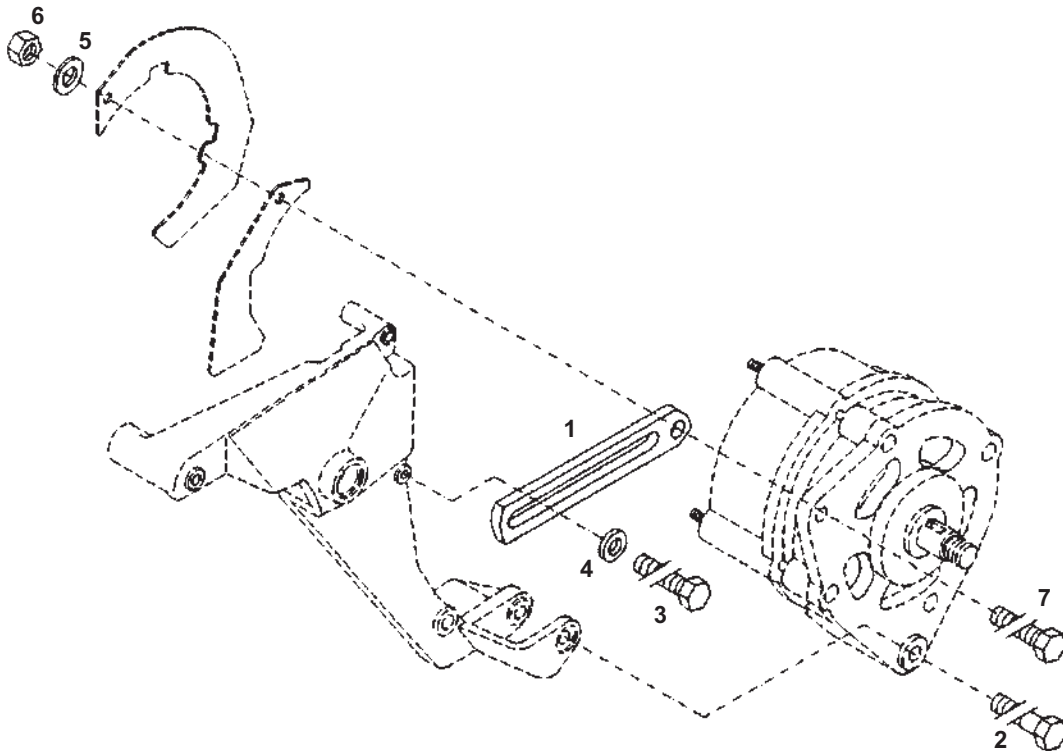
b) Used in engines with serial number 618097 and earlier.



| Ref No. | Part No. | Description                            | Quantity |
|---------|----------|--|----------|
| 1       | 133184   | FAN                                    | 1        |
| 2       | 133208   | PULLEY/V-GROOVED (INCLUDES ITEMS 7-10) | 1        |
| 3       | 132300   | GENERATOR (INCLUDES ITEMS 4 -6)        | 1        |
| 4       | 133206   | REGULATOR/VOLTAGE                      | 1        |
| 5       | 133148   | NUT/HEX 16 X 1.5MM                     | 1        |
| 6       | 133111   | WASHER/SPRING                          | 1        |
| 7       | 133207   | RING/SUPPORTING                        | 1        |
| 8       | 133210   | WASHER                                 | 1        |
| 9       | 133209   | WASHER                                 | 1        |
| 10      | 133211   | PULLEY/BELT                            | 2        |

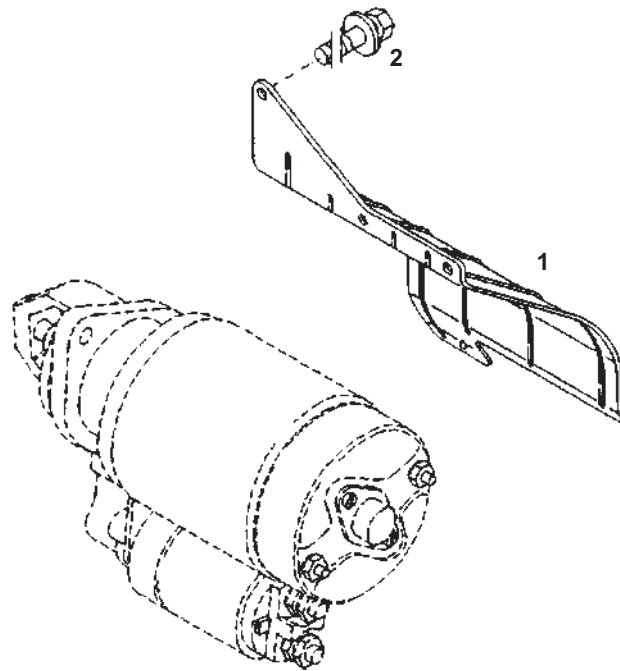


| Ref No. | Part No. | Description | Quantity |
|---------|----------|-------------|----------|
| 1       | 187545   | BRACKET     | 1        |
| 2       | 187510   | BOLT/HEX    | 2        |
| 3       | 187502   | BOLT/HEX    | 1        |

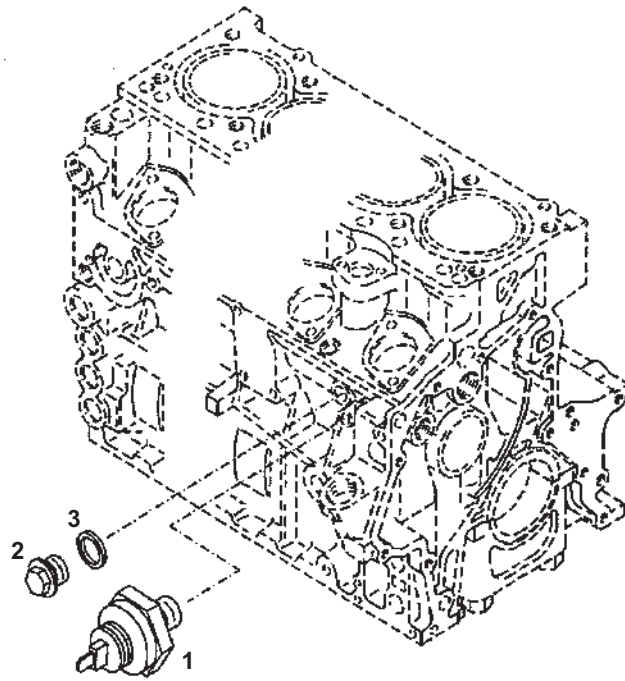


| Ref No. | Part No. | Description    | Quantity |
|---------|----------|----------------|----------|
| 1       | 133336   | STRAP/CLAMPING | 1        |
| 2       | 187503   | BOLT/HEX       | 1        |
| 3       | 187504   | BOLT/HEX       | 1        |
| 4       | 133260   | WASHER/PLAIN   | 1        |
| 5       | 133173   | WASHER/PLAIN   | 1        |
| 6       | 133126   | NUT/HEX 8-8MM  | 1        |
| 7       | 187505   | BOLT/HEX       | 1        |

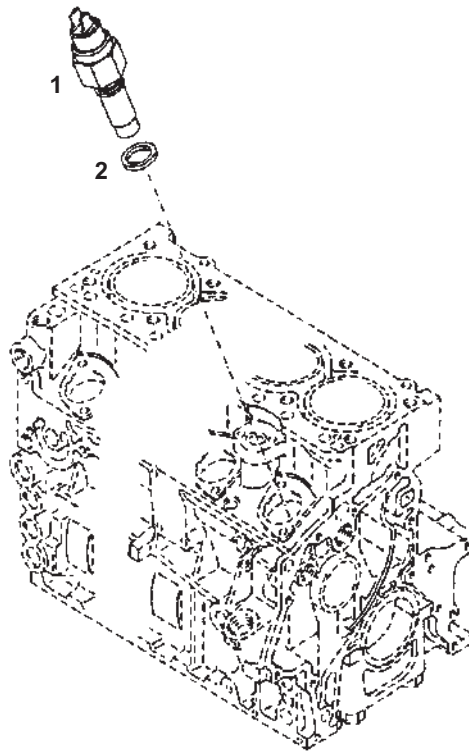




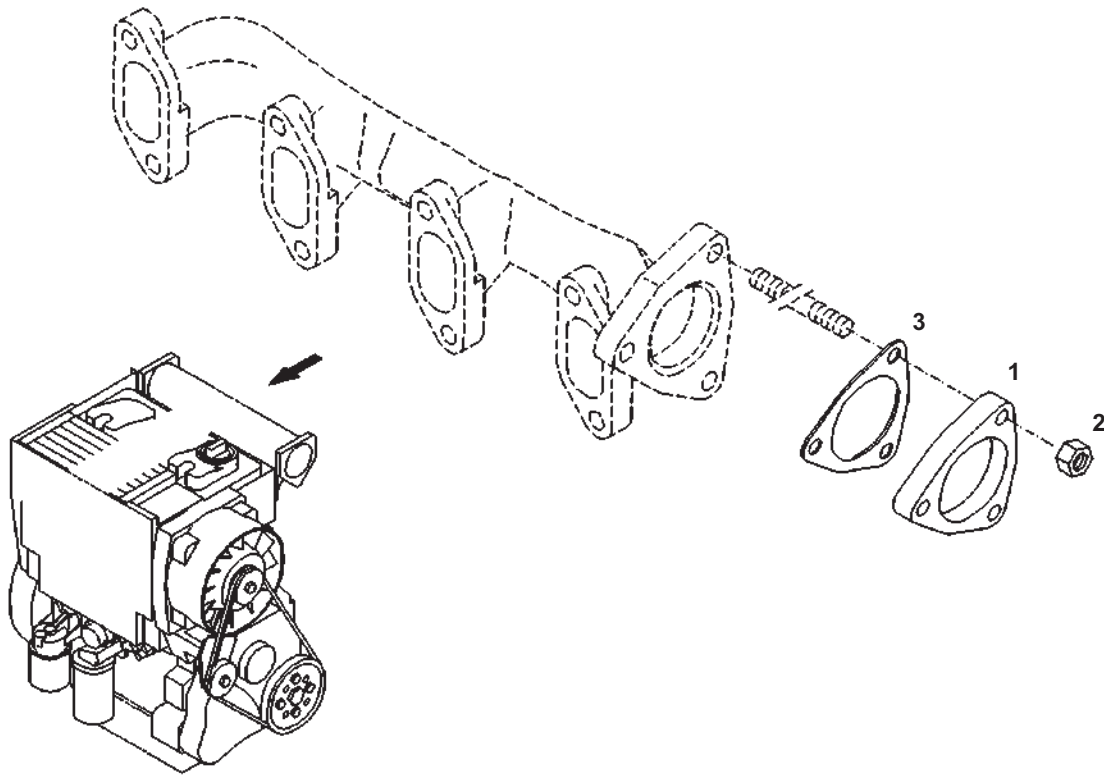
| Ref No. | Part No. | Description                 | Quantity |
|---------|----------|-----------------------------|----------|
| 1       | 135546   | BAFFLE/COOLING AIR          | 1        |
| 2       | 187235   | BOLT/HEX 6 X 14MM CLASS 8.8 | 3        |



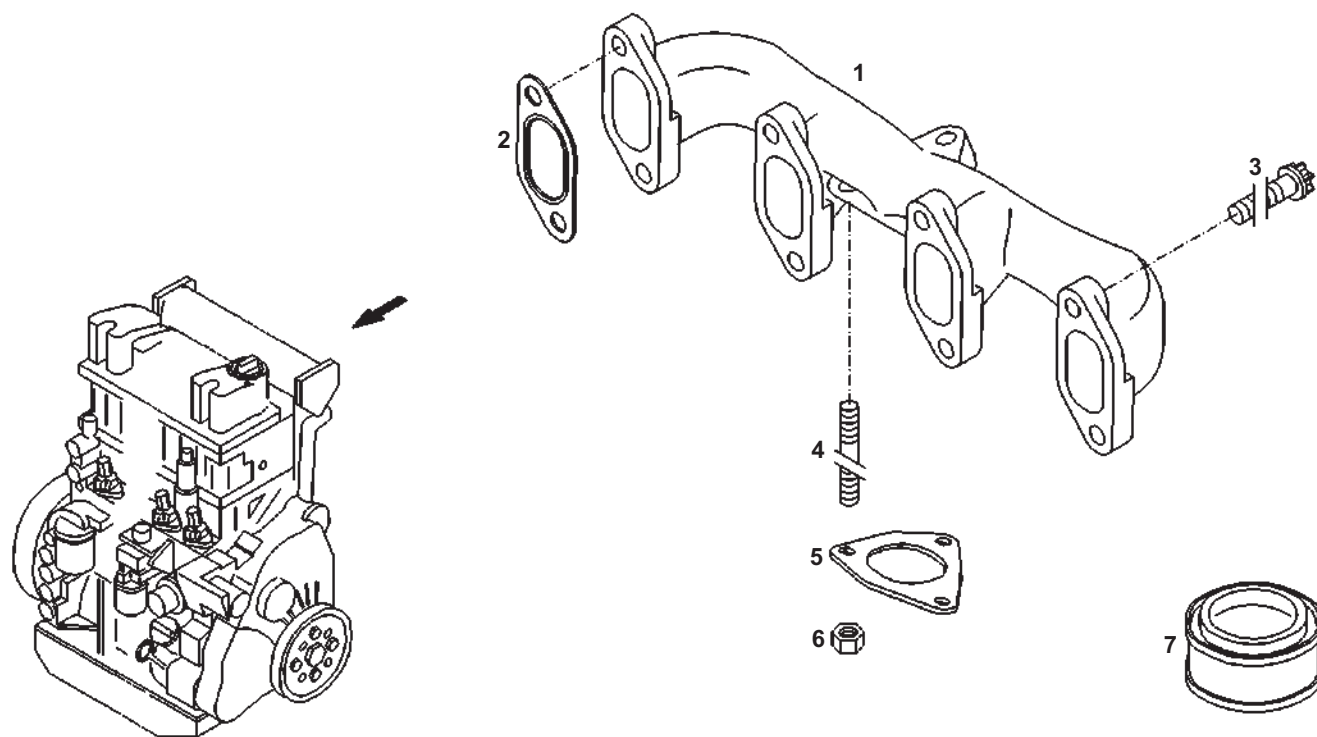
| Ref No. | Part No. | Description         | Quantity |
|---------|----------|---------------------|----------|
| 1       | 133256   | SWITCH/OIL PRESSURE | 1        |
| 2       | 133140   | PLUG/SCREW          | 1        |
| 3       | 133137   | RING/SEALING        | 1        |



| Ref No. | Part No. | Description                               | Quantity |
|---------|----------|---|----------|
| 1       | 133225   | TRANSMITTER/TEMPERATURE (INCLUDES ITEM 2) | 1        |
| 2       | 133161   | RING/SEALING                              | 1        |

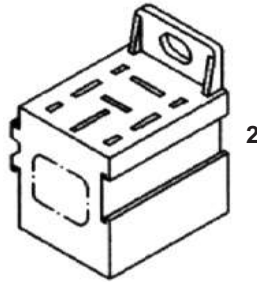
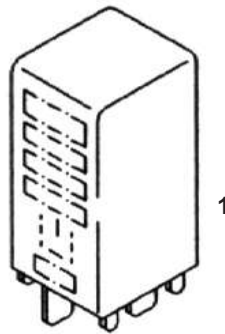


| Ref No. | Part No. | Description | F3M |
|---------|----------|-------------|-----|
| 1       | 187516   | FLANGE      | 1   |
| 2       | 187278   | NUT/HEX     | 3   |
| 3       | 133374   | GASKET      | 1   |

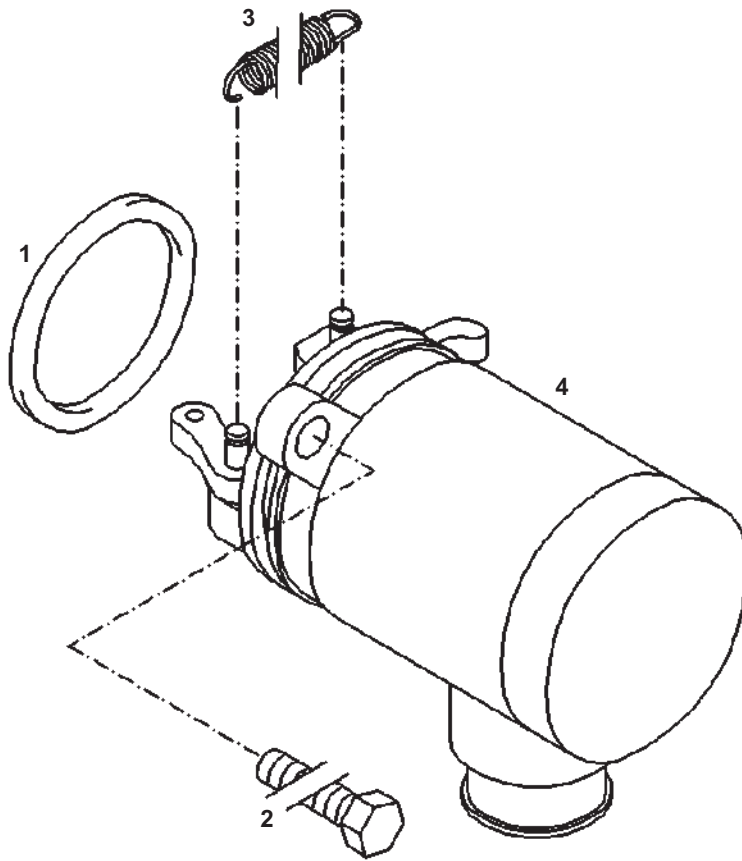


| Ref No. | Part No. | Description      | Quantity |     |      |      |
|---------|----------|------------------|----------|-----|------|------|
|         |          |                  | F3M      | F4M | BF3M | BF4M |
| 1       | 133595   | MANIFOLD/EXHAUST | 1        | 1   | -    | -    |
|         | 133533   | MANIFOLD/EXHAUST | -        | -   | 1    | -    |
|         | 133572   | MANIFOLD/EXHAUST | -        | -   | -    | 1    |
| 2       | 133372   | GASKET           | 3        | 4   | 3    | 4    |
| 3       | 133534   | BOLT/TORX-HEAD   | 6        | 8   | 6    | 8    |
| 4       | 133180   | STUD             | 3        | 3   | -    | -    |
|         | 133181   | STUD             | -        | -   | 3    | 3    |
| 5       | 133374   | GASKET           | -        | 1   | 1    | 1    |
| 6       | 133154   | NUT/HEX          | -        | 3   | 3    | 3    |
| 7       | 133558   | COMPOUND/FITTING | AR       | AR  | AR   | AR   |



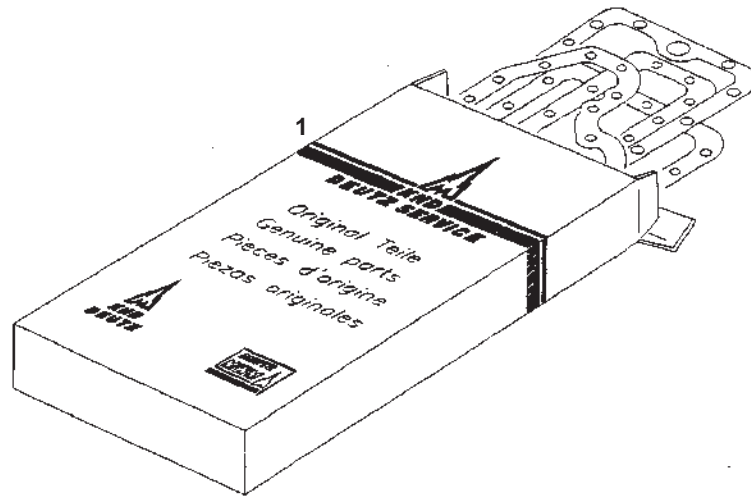


| Ref No. | Part No. | Description            | Quantity |
|---------|----------|------------------------|----------|
| 1       | 187524   | UNIT/GLOW TIME CONTROL | 1        |
| 2       | 187526   | BASE/PEDESTAL          | 1        |



| Ref No. | Part No. | Description                       | Quantity |
|---------|----------|-----------------------------------|----------|
| 1       | 133185   | O-SEAL                            | 1        |
| 2       | 187179   | BOLT/HEX                          | 2        |
| 3       | 133394   | SPRING/TENSION                    | 1        |
| 4       | 187180   | DEVICE/SHUTDOWN (INCLUDES ITEM 3) | 1        |





| Ref No. | Part No. | Description              | Quantity |     |      |      |
|---------|----------|--------------------------|----------|-----|------|------|
|         |          |                          | F3M      | F4M | BF3M | BF4M |
| 1       | 133346   | SET/GASKET               | 1        | 1   | 1    | 1    |
|         | 135505   | SET/SUPPLEMENTARY GASKET | 1        | -   | -    | -    |
|         | 133344   | SET/SUPPLEMENTARY GASKET | -        | 1   | -    | -    |
|         | 187207   | SET/SUPPLEMENTARY GASKET | -        | 1   | -    | 1    |
|         | 187515   | SET/SUPPLEMENTARY GASKET | -        | -   | 1    | -    |

| Part No. | Page No. | Ref. No. | Part No. | Page No. | Ref. No. | Part No. | Page No. | Ref. No. | Part No. | Page No. | Ref. No. |
|----------|----------|----------|----------|----------|----------|----------|----------|----------|----------|----------|----------|
| 132023   | 24       | 1        | 133152   | 52       | 15       | 133239   | 58       | 2        | 133297   | 34       | 6G       |
| 132024   | 37       | 3        | 133154   | 66       | 6        | 133240   | 5        | 14       | 133301   | 58       | 4        |
| 132300   | 59       | 3        | 133156   | 55       | 3        | 133241   | 52       | 12       | 133308   | 37       | 4        |
| 132989   | 54       | 1        | 133157   | 13       | 3        | 133242   | 18       | 2        | 133308   | 37       | 5        |
| 133100   | 1        | 4        | 133159   | 13       | 3        | 133243   | 37       | 6        | 133316   | 5        | 4        |
| 133103   | 18       | 8        | 133160   | 52       | 30       | 133244   | 39       | 2        | 133317   | 13       | 2        |
| 133103   | 26       | 3        | 133161   | 64       | 2        | 133245   | 29       | 3        | 133318   | 12       | 3        |
| 133104   | 6        | 8        | 133163   | 17       | 4        | 133246   | 52       | 16       | 133319   | 12       | 4        |
| 133105   | 24       | 3        | 133163   | 52       | 32       | 133247   | 52       | 9        | 133320   | 12       | 4        |
| 133106   | 16       | 10       | 133165   | 29       | 2        | 133249   | 5        | 21       | 133322   | 16       | 9        |
| 133107   | 5        | 25       | 133166   | 5        | 13       | 133250   | 17       | 6        | 133323   | 5        | 16       |
| 133109   | 28       | 3        | 133168   | 42       | 1        | 133250   | 52       | 36       | 133324   | 18       | 4        |
| 133110   | 56       | 3        | 133171   | 50       | 7        | 133255   | 55       | 5        | 133325   | 7        | 1        |
| 133111   | 59       | 6        | 133173   | 55       | 7        | 133256   | 63       | 1        | 133326   | 24       | 2        |
| 133113   | 21       | 1        | 133173   | 61       | 5        | 133259   | 27       | 6        | 133327   | 16       | 2        |
| 133114   | 50       | 10       | 133174   | 52       | 27       | 133260   | 61       | 4        | 133328   | 52       | 20       |
| 133115   | 47       | 2        | 133175   | 50       | 2        | 133262   | 52       | 29       | 133329   | 56       | 2        |
| 133116   | 30       | 1        | 133176   | 28       | 9        | 133263   | 34       | 6        | 133330   | 22       | 1        |
| 133126   | 31       | 3        | 133177   | 55       | 9        | 133264   | 34       | 6        | 133331   | 47       | 3        |
| 133126   | 40       | 4        | 133179   | 52       | 21       | 133265   | 34       | 6H       | 133332   | 21       | 2        |
| 133126   | 61       | 6        | 133180   | 43       | 6        | 133266   | 34       | 6P       | 133333   | 21       | 3        |
| 133127   | 49       | 3        | 133180   | 66       | 4        | 133267   | 34       | 6W       | 133334   | 21       | 4        |
| 133127   | 50       | 12       | 133181   | 66       | 4        | 133268   | 34       | 6        | 133334   | 50       | 8        |
| 133128   | 52       | 5        | 133182   | 50       | 11       | 133269   | 34       | 6        | 133335   | 11       | 3        |
| 133129   | 52       | 17       | 133184   | 59       | 1        | 133271   | 34       | 6        | 133336   | 61       | 1        |
| 133130   | 52       | 22       | 133185   | 69       | 1        | 133272   | 34       | 6        | 133337   | 31       | 4        |
| 133132   | 18       | 6        | 133187   | 55       | 4        | 133273   | 34       | 6        | 133338   | 8        | 3        |
| 133132   | 30       | 2        | 133188   | 50       | 9        | 133274   | 34       | 6I       | 133339   | 8        | 3        |
| 133132   | 57       | 3        | 133190   | 46       | 3        | 133275   | 34       | 6J       | 133344   | 70       | 1        |
| 133133   | 25       | 3        | 133200   | 43       | 2        | 133276   | 34       | 6K       | 133346   | 70       | 1        |
| 133134   | 2        | 4        | 133200   | 46       | 2        | 133277   | 34       | 6L       | 133350   | 5        | 17       |
| 133135   | 27       | 3        | 133201   | 44       | 2        | 133278   | 34       | 6M       | 133351   | 52       | 26       |
| 133136   | 28       | 10       | 133202   | 3        | 2        | 133279   | 34       | 6N       | 133352   | 16       | 6        |
| 133137   | 6        | 4        | 133202   | 4        | 2        | 133280   | 34       | 6O       | 133356   | 16       | 3        |
| 133137   | 57       | 4        | 133204   | 1        | 2        | 133281   | 34       | 6Q       | 133357   | 12       | 4        |
| 133137   | 63       | 3        | 133206   | 59       | 4        | 133282   | 34       | 6R       | 133358   | 12       | 4        |
| 133138   | 6        | 3        | 133207   | 59       | 7        | 133283   | 34       | 6S       | 133360   | 53       | 3        |
| 133138   | 42       | 2        | 133208   | 59       | 2        | 133284   | 34       | 6T       | 133364   | 43       | 5        |
| 133138   | 48       | 2        | 133209   | 59       | 9        | 133285   | 34       | 6U       | 133365   | 55       | 11       |
| 133139   | 28       | 4        | 133210   | 59       | 8        | 133286   | 34       | 6V       | 133367   | 19       | 3        |
| 133140   | 63       | 2        | 133211   | 59       | 10       | 133287   | 34       | 6X       | 133369   | 13       | 2        |
| 133141   | 25       | 2        | 133212   | 3        | 3        | 133288   | 34       | 6Y       | 133370   | 7        | 2        |
| 133141   | 36       | 2        | 133214   | 44       | 4        | 133289   | 34       | 6Z       | 133370   | 34       | 6        |
| 133144   | 18       | 5        | 133214   | 45       | 4        | 133290   | 34       | 6        | 133372   | 66       | 2        |
| 133144   | 57       | 2        | 133215   | 48       | 1        | 133291   | 34       | 6        | 133374   | 65       | 3        |
| 133145   | 20       | 5        | 133216   | 20       | 4        | 133292   | 34       | 6        | 133374   | 66       | 5        |
| 133148   | 59       | 5        | 133218   | 35       | 2        | 133293   | 34       | 7        | 133375   | 21       | 6        |
| 133149   | 6        | 5        | 133225   | 64       | 1        | 133294   | 34       | 8        | 133377   | 50       | 1        |
| 133149   | 57       | 1        | 133226   | 50       | 14       | 133295   | 34       | 9        | 133378   | 18       | 1        |
| 133150   | 31       | 3        | 133229   | 47       | 1        | 133296   | 34       | 10       | 133381   | 7        | 3        |

| Part No. | Page No. | Ref. No. | Part No. | Page No. | Ref. No. | Part No. | Page No. | Ref. No. | Part No. | Page No. | Ref. No. |
|----------|----------|----------|----------|----------|----------|----------|----------|----------|----------|----------|----------|
| 133382   | 52       | 4        | 133438   | 31       | 6        | 133542   | 5        | 15       | 135511   | 52       | 19       |
| 133383   | 52       | 25       | 133440   | 23       | 6        | 133543   | 5        | 23       | 135512   | 49       | 4        |
| 133384   | 50       | 5        | 133441   | 12       | 2        | 133544   | 34       | 5        | 135513   | 52       | 3        |
| 133385   | 52       | 13       | 133442   | 12       | 1        | 133549   | 27       | 1        | 135514   | 49       | 5        |
| 133386   | 50       | 6        | 133444   | 14       | 1        | 133550   | 27       | 1        | 135515   | 52       | 1        |
| 133387   | 1        | 3        | 133445   | 11       | 2        | 133551   | 27       | 7        | 135516   | 52       | 24       |
| 133388   | 52       | 35       | 133446   | 11       | 1        | 133552   | 3        | 1        | 135517   | 26       | 1        |
| 133389   | 52       | 34       | 133451   | 28       | 5        | 133553   | 3        | 4        | 135518   | 5        | 1        |
| 133390   | 1        | 1        | 133455   | 13       | 4        | 133555   | 2        | 1        | 135519   | 23       | 1        |
| 133391   | 32       | 2        | 133456   | 16       | 7        | 133556   | 2        | 2        | 135520   | 4        | 1        |
| 133391   | 34       | 4        | 133463   | 41       | 1        | 133557   | 58       | 1        | 135522   | 34       | 1        |
| 133392   | 31       | 2        | 133463   | 44       | 3        | 133558   | 66       | 7        | 135523   | 31       | 1        |
| 133393   | 52       | 6        | 133464   | 52       | 19       | 133561   | 2        | 7        | 135527   | 53       | 1        |
| 133394   | 69       | 3        | 133467   | 20       | 2        | 133562   | 2        | 8        | 135528   | 17       | 2        |
| 133395   | 52       | 8        | 133473   | 5        | 18       | 133565   | 17       | 1        | 135528   | 53       | 1        |
| 133396   | 53       | 2        | 133476   | 5        | 22       | 133566   | 17       | 2        | 135529   | 17       | 1        |
| 133397   | 34       | 5        | 133478   | 27       | 2        | 133568   | 19       | 1        | 135531   | 8        | 4        |
| 133398   | 34       | 1        | 133481   | 4        | 3        | 133570   | 52       | 3        | 135532   | 8        | 4        |
| 133399   | 34       | 2        | 133482   | 3        | 5        | 133572   | 66       | 1        | 135533   | 8        | 4        |
| 133402   | 22       | 2        | 133484   | 52       | 23       | 133574   | 15       | 3        | 135534   | 20       | 3        |
| 133403   | 16       | 2        | 133485   | 44       | 1        | 133575   | 15       | 4        | 135535   | 15       | 1        |
| 133404   | 5        | 3        | 133486   | 8        | 1        | 133576   | 15       | 5        | 135537   | 56       | 1        |
| 133405   | 5        | 2        | 133487   | 8        | 2        | 133577   | 46       | 1        | 135538   | 55       | 1        |
| 133406   | 52       | 18       | 133488   | 8        | 2        | 133580   | 39       | 1        | 135539   | 13       | 1        |
| 133408   | 5        | 11       | 133489   | 8        | 2        | 133583   | 39       | 3        | 135540   | 13       | 5        |
| 133409   | 28       | 7        | 133490   | 8        | 4        | 133585   | 38       | 1        | 135541   | 13       | 6        |
| 133410   | 28       | 8        | 133497   | 52       | 24       | 133586   | 12       | 1        | 135542   | 15       | 5        |
| 133411   | 5        | 19       | 133498   | 25       | 1        | 133589   | 31       | 1        | 135543   | 15       | 4        |
| 133412   | 52       | 14       | 133502   | 55       | 2        | 133590   | 32       | 1        | 135544   | 15       | 3        |
| 133414   | 28       | 1        | 133503   | 13       | 4        | 133591   | 32       | 3        | 135545   | 20       | 1        |
| 133415   | 28       | 2        | 133506   | 50       | 4        | 133592   | 32       | 5        | 135546   | 62       | 1        |
| 133416   | 28       | 6        | 133507   | 50       | 3        | 133593   | 47       | 4        | 138859   | 58       | 1        |
| 133417   | 5        | 20       | 133508   | 9        | 1        | 133594   | 52       | 23       | 138860   | 11       | 2        |
| 133418   | 31       | 5        | 133515   | 8        | 5        | 133595   | 66       | 1        | 138861   | 11       | 1        |
| 133419   | 31       | 5        | 133518   | 4        | 1        | 133596   | 39       | 1        | 187100   | 6        | 1        |
| 133420   | 31       | 5        | 133519   | 5        | 1        | 133603   | 58       | 3        | 187125   | 16       | 4        |
| 133421   | 31       | 5        | 133520   | 5        | 6        | 133604   | 58       | 5        | 187126   | 10       | 1        |
| 133422   | 31       | 5        | 133521   | 9        | 1        | 133605   | 58       | 6        | 187127   | 10       | 2        |
| 133423   | 31       | 5        | 133522   | 8        | 1        | 133607   | 58       | 7        | 187128   | 10       | 3        |
| 133424   | 31       | 5        | 133526   | 19       | 1        | 133608   | 58       | 8        | 187130   | 16       | 4        |
| 133425   | 52       | 31       | 133529   | 43       | 1        | 135491   | 52       | 2        | 187132   | 14       | 2        |
| 133426   | 17       | 5        | 133532   | 43       | 4        | 135493   | 55       | 6        | 187133   | 14       | 3        |
| 133427   | 15       | 2        | 133533   | 66       | 1        | 135495   | 50       | 13       | 187145   | 6        | 1        |
| 133428   | 23       | 5        | 133534   | 66       | 3        | 135496   | 52       | 10       | 187146   | 16       | 5        |
| 133429   | 37       | 2        | 133536   | 5        | 6        | 135499   | 49       | 2        | 187147   | 16       | 2        |
| 133430   | 5        | 5        | 133537   | 5        | 7        | 135500   | 41       | 2        | 187148   | 16       | 8        |
| 133431   | 52       | 11       | 133538   | 5        | 8        | 135503   | 2        | 8        | 187149   | 16       | 3        |
| 133435   | 52       | 7        | 133539   | 5        | 9        | 135505   | 70       | 1        | 187151   | 31       | 5H       |
| 133436   | 5        | 1        | 133540   | 5        | 10       | 135506   | 18       | 7        | 187152   | 31       | 5G       |
| 133437   | 5        | 1        | 133541   | 5        | 12       | 135510   | 49       | 1        | 187162   | 45       | 3        |

NUMERICAL INDEX

| Part No. | Page No. | Ref. No. | Part No. | Page No. | Ref. No. | Part No. | Page No. | Ref. No. | Part No. | Page No. | Ref. No. |
|----------|----------|----------|----------|----------|----------|----------|----------|----------|----------|----------|----------|
| 187163   | 45       | 1        | 187267   | 2        | 5        |          |          |          |          |          |          |
| 187166   | 41       | 3        | 187267   | 23       | 3        |          |          |          |          |          |          |
| 187167   | 41       | 4        | 187267   | 52       | 10       |          |          |          |          |          |          |
| 187169   | 16       | 3        | 187271   | 6        | 6        |          |          |          |          |          |          |
| 187170   | 16       | 11       | 187276   | 6        | 2        |          |          |          |          |          |          |
| 187173   | 37       | 7        | 187278   | 43       | 3        |          |          |          |          |          |          |
| 187174   | 37       | 8        | 187278   | 65       | 2        |          |          |          |          |          |          |
| 187177   | 37       | 12       | 187500   | 19       | 2        |          |          |          |          |          |          |
| 187179   | 69       | 2        | 187501   | 52       | 28       |          |          |          |          |          |          |
| 187180   | 69       | 4        | 187502   | 60       | 3        |          |          |          |          |          |          |
| 187181   | 29       | 1        | 187503   | 61       | 2        |          |          |          |          |          |          |
| 187187   | 52       | 33       | 187504   | 61       | 3        |          |          |          |          |          |          |
| 187189   | 26       | 1        | 187505   | 61       | 7        |          |          |          |          |          |          |
| 187191   | 37       | 1        | 187506   | 37       | 10       |          |          |          |          |          |          |
| 187192   | 2        | 1        | 187508   | 5        | 21       |          |          |          |          |          |          |
| 187199   | 40       | 2        | 187509   | 18       | 3        |          |          |          |          |          |          |
| 187207   | 70       | 1        | 187510   | 60       | 2        |          |          |          |          |          |          |
| 187213   | 58       | 3        | 187511   | 36       | 3        |          |          |          |          |          |          |
| 187214   | 58       | 7        | 187512   | 43       | 8        |          |          |          |          |          |          |
| 187216   | 58       | 5        | 187513   | 43       | 9        |          |          |          |          |          |          |
| 187217   | 58       | 8        | 187514   | 39       | 4        |          |          |          |          |          |          |
| 187218   | 58       | 6        | 187515   | 70       | 1        |          |          |          |          |          |          |
| 187221   | 3        | 6        | 187516   | 65       | 1        |          |          |          |          |          |          |
| 187222   | 27       | 5        | 187518   | 23       | 1        |          |          |          |          |          |          |
| 187223   | 52       | 36       | 187519   | 67       | 1        |          |          |          |          |          |          |
| 187226   | 32       | 4        | 187520   | 8        | 4        |          |          |          |          |          |          |
| 187226   | 34       | 3        | 187521   | 8        | 4        |          |          |          |          |          |          |
| 187226   | 45       | 5        | 187522   | 52       | 31       |          |          |          |          |          |          |
| 187227   | 2        | 6        | 187523   | 19       | 1        |          |          |          |          |          |          |
| 187229   | 37       | 11       | 187524   | 68       | 1        |          |          |          |          |          |          |
| 187230   | 23       | 4        | 187525   | 13       | 1        |          |          |          |          |          |          |
| 187231   | 44       | 5        | 187526   | 68       | 2        |          |          |          |          |          |          |
| 187232   | 26       | 2        | 187528   | 16       | 3        |          |          |          |          |          |          |
| 187233   | 2        | 3        | 187529   | 16       | 1        |          |          |          |          |          |          |
| 187233   | 35       | 3        | 187530   | 16       | 1        |          |          |          |          |          |          |
| 187233   | 37       | 9        | 187531   | 16       | 1        |          |          |          |          |          |          |
| 187234   | 6        | 7        | 187532   | 44       | 1        |          |          |          |          |          |          |
| 187234   | 55       | 8        | 187533   | 52       | 23       |          |          |          |          |          |          |
| 187235   | 27       | 4        | 187540   | 43       | 7        |          |          |          |          |          |          |
| 187235   | 62       | 2        | 187541   | 43       | 7        |          |          |          |          |          |          |
| 187237   | 21       | 5        | 187542   | 52       | 1        |          |          |          |          |          |          |
| 187239   | 58       | 2        | 187543   | 36       | 1        |          |          |          |          |          |          |
| 187240   | 9        | 2        | 187544   | 36       | 1        |          |          |          |          |          |          |
| 187243   | 5        | 24       | 187545   | 60       | 1        |          |          |          |          |          |          |
| 187248   | 40       | 3        | 187546   | 35       | 1        |          |          |          |          |          |          |
| 187250   | 40       | 1        | 187547   | 16       | 1        |          |          |          |          |          |          |
| 187254   | 45       | 2        | 187548   | 19       | 1        |          |          |          |          |          |          |
| 187256   | 55       | 10       | 187549   | 52       | 5        |          |          |          |          |          |          |
| 187264   | 17       | 3        |          |          |          |          |          |          |          |          |          |
| 187266   | 23       | 2        |          |          |          |          |          |          |          |          |          |



# **GEHL®**

**Gehl Company** 143 Water Street, P.O. Box 179, West Bend, WI 53095-0179 U.S.A.  
[www.gehl.com](http://www.gehl.com)