

7 Standard tools



Orders

The tools can be ordered directly, stating the order number, from:

WILBAER

Wilhelm Bäcker GmbH & Co.KG

Postfach 14 05 80

42826 Remscheid

Germany

Tel.: +49 (0) 2191 9339-0

Fax: +49 (0) 2191 9339-200

E-mail: info@wilbaer.de

Web: <http://www.deutz-tools.com>

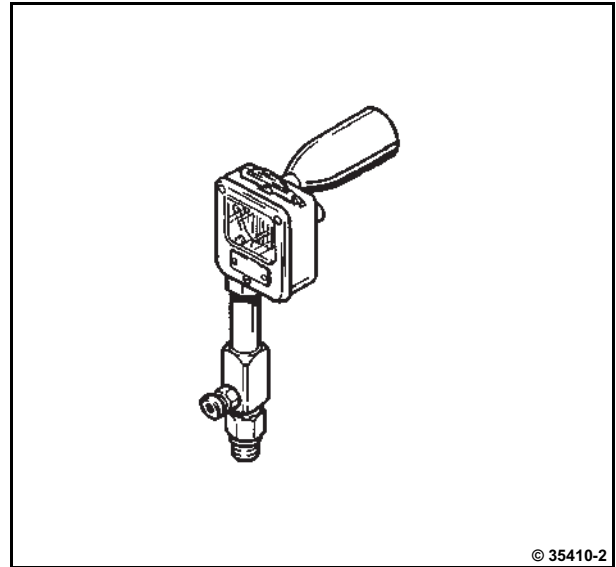
8005

Compression pressure tester

for diesel engines

10 - 40 bar

Checking compression pressure

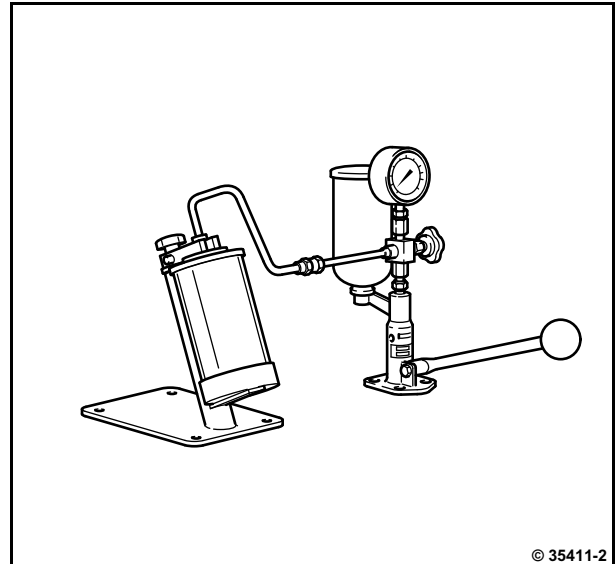


8008

Nozzle tester

with spray mist collecting vessel

Check injection nozzles

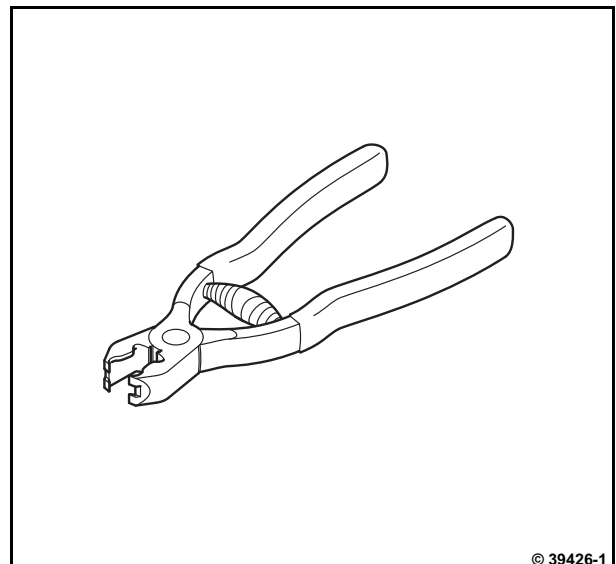


8011

Hose clip pliers

Loosen and fasten hose clips

e. g. fuel return pipe

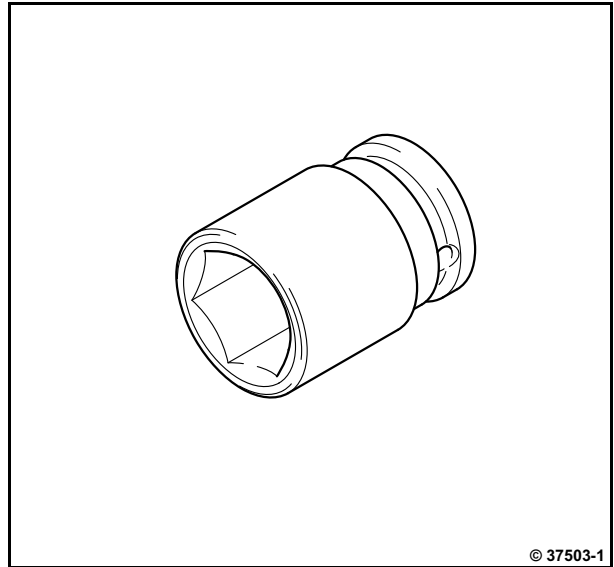


8015

Socket wrench insert

SW 14, reinforced

Unscrew and tighten big end bearing screws.



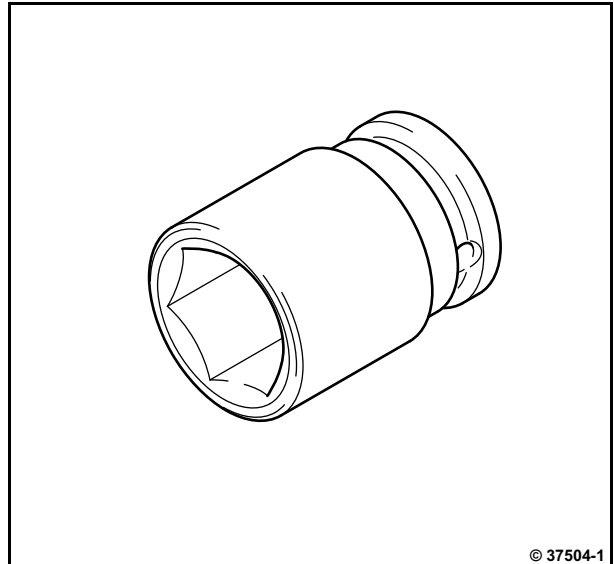
7

8016

Socket wrench insert

SW 17, reinforced

Unscrew and tighten flywheel screws.

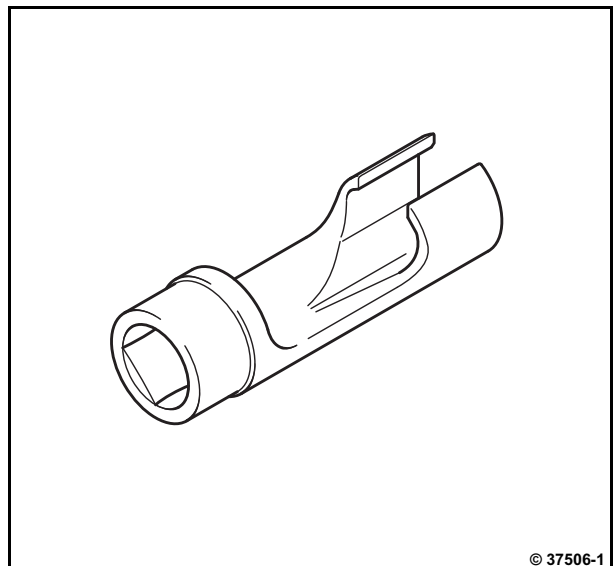


8018

Claw wrench

SW 17, reinforced

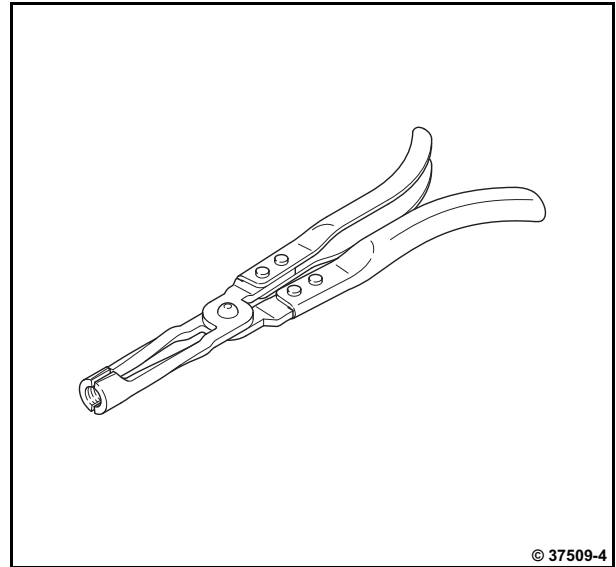
Unscrew and tighten union nuts of the injection pipes.



8024

Assembly pliers

e. g. removing valve stem seals



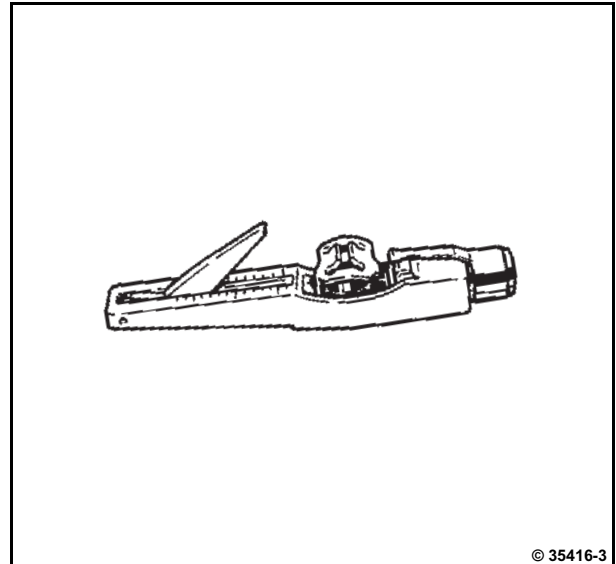
© 37509-4

8115

V-belt tension measuring device

150 to 600 N

Check V-belt tension



© 35416-3

8198

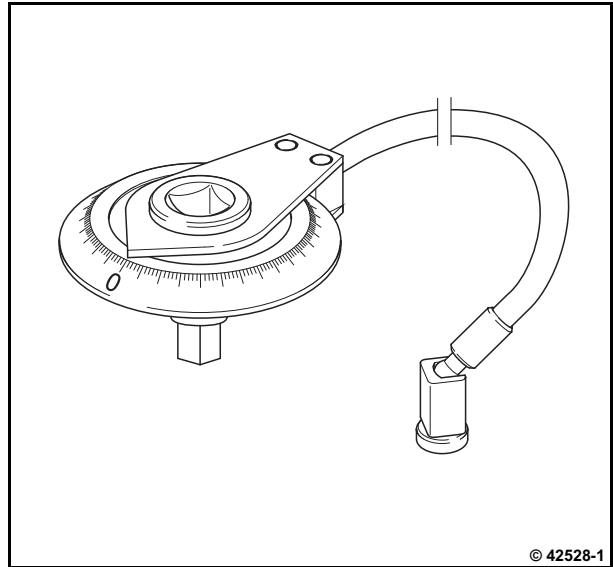
Pricker

Removing rotary shaft lip seal



© 43206-3

8190
Rotation angle disc
with magnet (e. g. setting valve clearance)

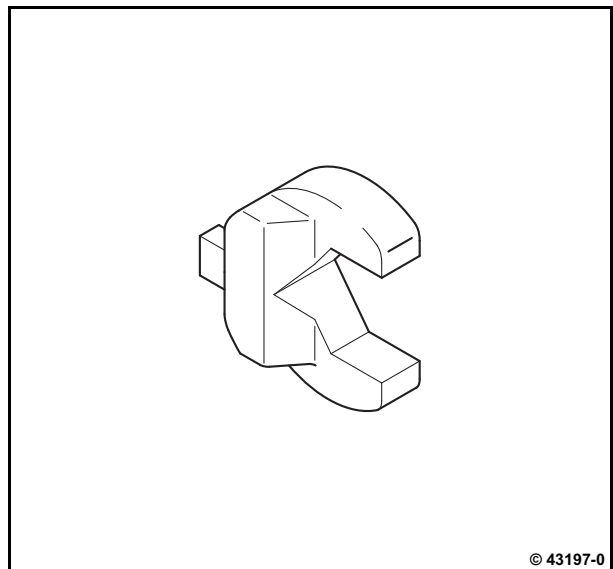


7

8191
Socket wrench insert
with slotted screwdriver insert (8x1.6)
(e. g. setting valve clearance)



8196
Open end wrench adapter
Size 13,
for torque wrench
Tighten lock nut of the valve clearance setting screw.



9017

Assembly lever

e. g. removing and installing valves

